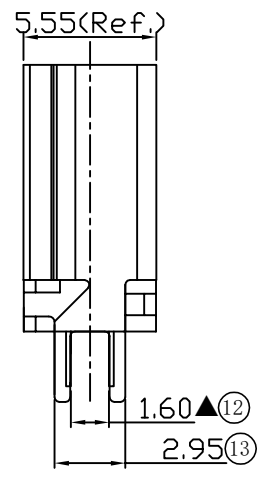
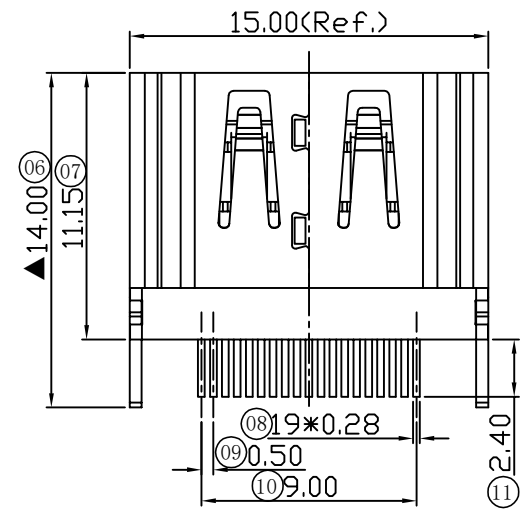
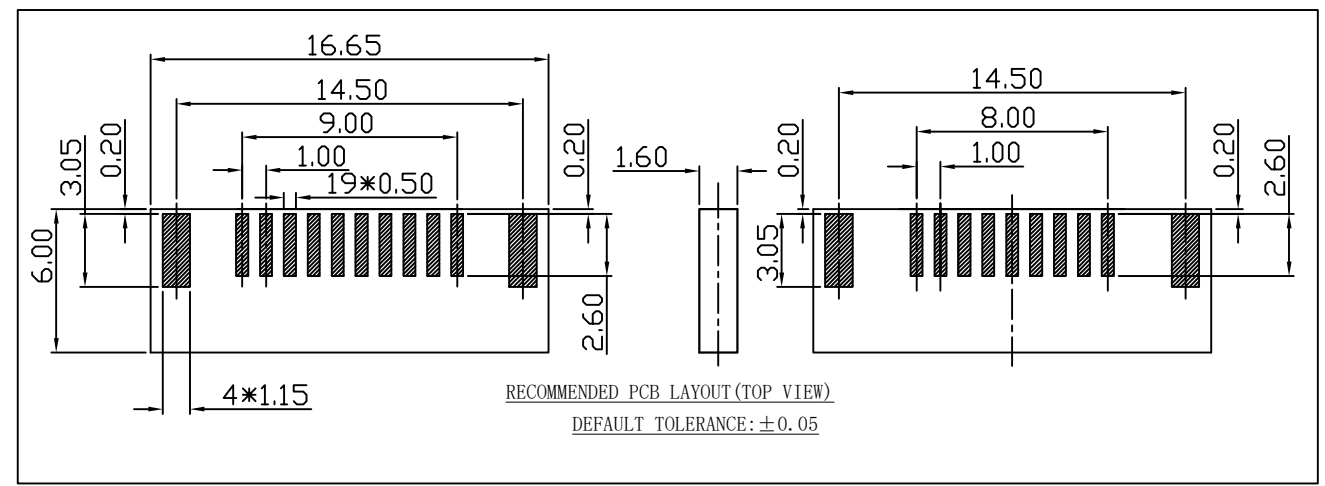
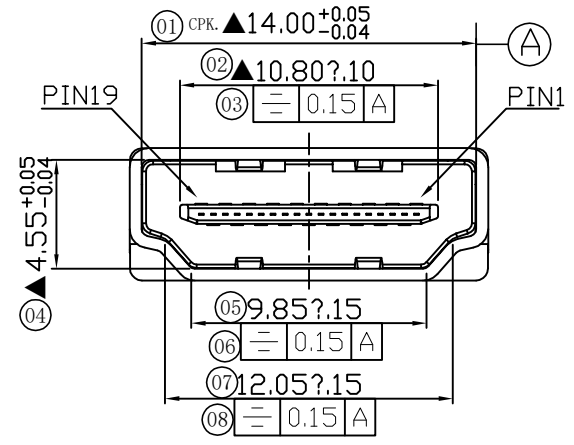


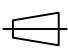


| 修订  | 标记   | 修改摘要                 | 签名        | 日期         |
|-----|------|----------------------|-----------|------------|
| REV | MARK | REVISION DESCRIPTION | SIGNATURE | DATE       |
| AO  |      | NEW DWG              |           | 2016-03-12 |



SPECIFICATION

- Electrical characteristics
  - Contact Current Rating: 0.5 A
  - Dielectric Withstanding Voltage: 300V AC
  - Insulation Resistance: a. Mate 100M $\Omega$  MIN at 500V/DC
  - b. Unmate 10M $\Omega$  MIN at 150V/DC
  - Contact Resistance: 30m $\Omega$  MAX
  - Temperature Range: -20 $^{\circ}$  C to +85 $^{\circ}$  C
- Mechanical
  - Mating Face: 44.1N MAX
  - Unmating Face: 9.8N MIN; 39.2N MAX
  - Durability: 5000 Cycles
- Material:
  - HOUSING: THERMOPLASTICS HIGH TEMP LCP+GLASS
  - FIBER BLACK COLOR, UL94V-0
  - CONTACT: Copper Alloy, T=0.20MM
  - SHELL: Copper Alloy (SPCC), T=0.50MM
- PLATING:
  - CONTACT: 1~30 $\mu$ " GOLD/TIN PLATING ON CONTACT AREA
  - 100 $\mu$ " MIN, TIN PLATING ON SOLDER TAILS
  - 50 $\mu$ " MIN, NICKEL UNDERPLATING OVER ALL
  - SHELL: 80 $\mu$ " NICKEL UNDERPLATING OVER ALL

|   |                        |   |                                  |   |                     |
|---|------------------------|---|----------------------------------|---|---------------------|
|  |                        | 深圳市华德共创科技有限公司<br>Shenzhen Huade co-create Technology Co., LTD<br>电话: 0755-23304126 传真: 0755-29940187  |                                  |   |                     |
| -TOLERANCES-<br>UNLESS OTHERWISE SPECIFIED<br>公差参数表                                   |                        |   |                                  | TITLE: HDMI AF夹板1.6铁壳0.5镀金<br>产品名称: 黑胶针长2.4 |                     |
| X.X $\pm 0.30$  | X.X* $\pm 3^{\circ}$   | APPD:<br>核准:  | PART NO:<br>产品编号: HDMI-GD-129PWB |   |                     |
| X.XX $\pm 0.20$   | X.XX* $\pm 2^{\circ}$  | CHECK:<br>校对: 王建业   | DATE                             | SCALE                                       | UNIT                |
| X.XXX $\pm 0.10$  | X.XXX* $\pm 1^{\circ}$ | DRAW:<br>绘图: 黄艳兰  | 2016-03-12                       | 1:1   | mm                  |
|   |                        |   |                                  |   | CODE NUMBER<br>A001 |