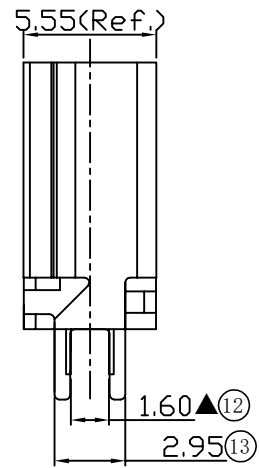
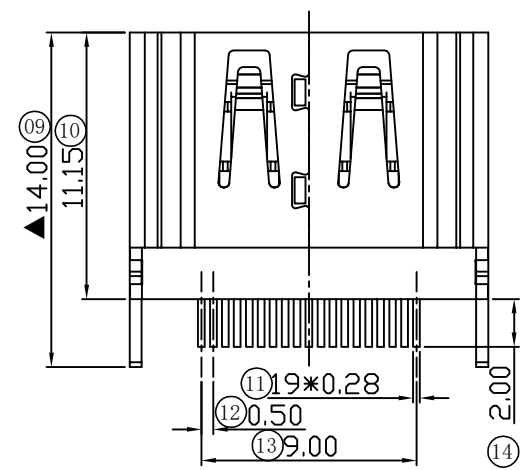
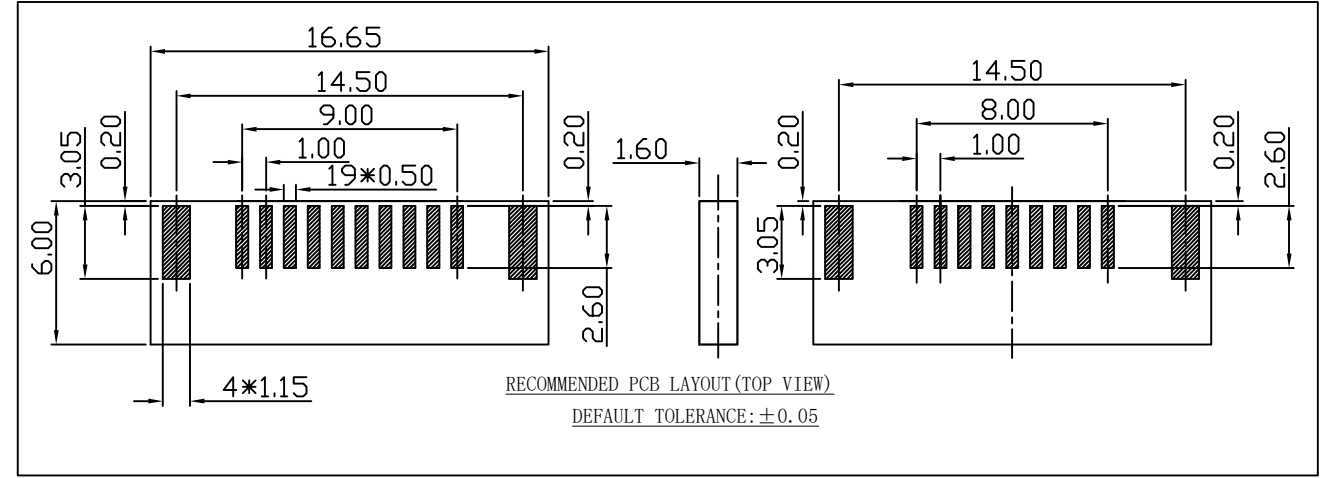
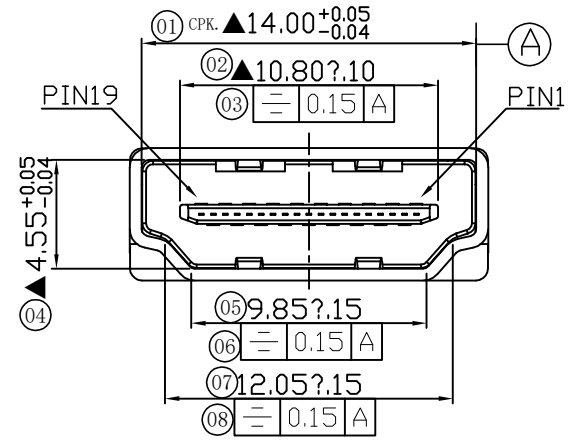


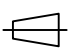


修订	标记	修改摘要	签名	日期
REV	MARK	REVISION DESCRIPTION	SIGNATURE	DATE
AO		NEW DWG		2016-03-12



SPECIFICATION

- Electrical characteristics
  - Contact Current Rating: 0.5 A
  - Dielectric Withstanding Voltage: 300V AC
  - Insulation Resistance: a. Mate 100M $\Omega$  MIN at 500V/DC
  - b. Unmate 10M $\Omega$  MIN at 150V/DC
  - Contact Resistance: 30m $\Omega$  MAX
  - Temperature Range: -20 $^{\circ}$  C to +85 $^{\circ}$  C
- Mechanical
  - Mating Face: 44.1N MAX
  - Unmate Face: 9.8N MIN; 39.2N MAX
  - Durability: 5000 Cycles
- Material:
  - HOUSING: THERMOPLASTICS HIGH TEMP LCP+GLASS
  - FIBER BLACK COLOR, UL94V-0
  - CONTACT: Copper Alloy, T=0.20MM
  - SHELL: Copper Alloy (SPCC), T=0.50MM
- PLATING:
  - CONTACT: 1~30 $\mu$ " GOLD/TIN PLATING ON CONTACT AREA
  - 100 $\mu$ " MIN, TIN PLATING ON SOLDER TAILS
  - 50 $\mu$ " MIN, NICKEL UNDERPLATING OVER ALL
  - SHELL: 80 $\mu$ " NICKEL UNDERPLATING OVER ALL

		深圳市华德共创科技有限公司 Shenzhen Huade co-create Technology Co., LTD 电话: 0755-23304126 传真: 0755-29940187			
-TOLERANCES- UNLESS OTHERWISE SPECIFIED 公差参数表		 		TITLE: HDMI AF夹板1.6铁壳0.5镀镍 产品名称: 黑胶针长2.0	
X.X $\pm 0.30$	X.X* $\pm 3^{\circ}$	APPD: 核准:	PART NO: 产品编号: HDMI-GD-126PWB		
X.XX $\pm 0.20$	X.XX* $\pm 2^{\circ}$	CHECK: 校对: 王建业	DATE	SCALE	UNIT
X.XXX $\pm 0.10$	X.XXX* $\pm 1^{\circ}$	DRAW: 绘图: 黄艳兰	2016-03-12	1:1	mm
					CODE NUMBER A001