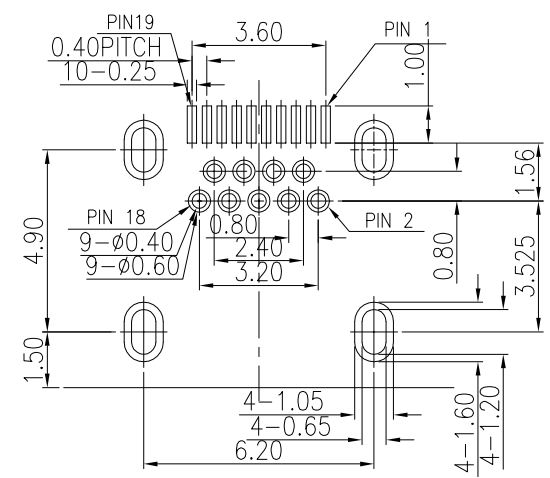
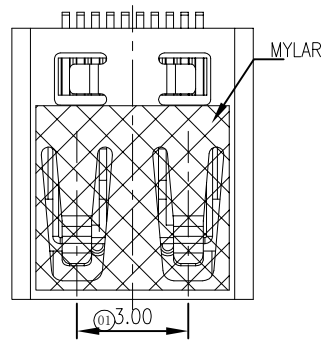
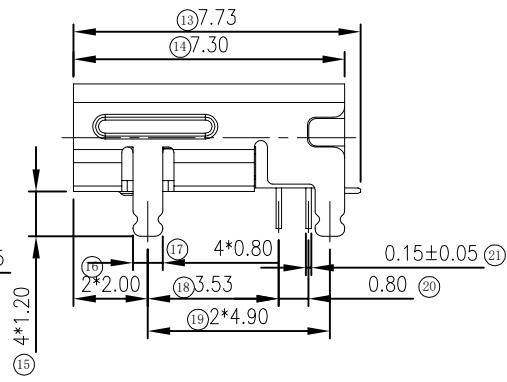
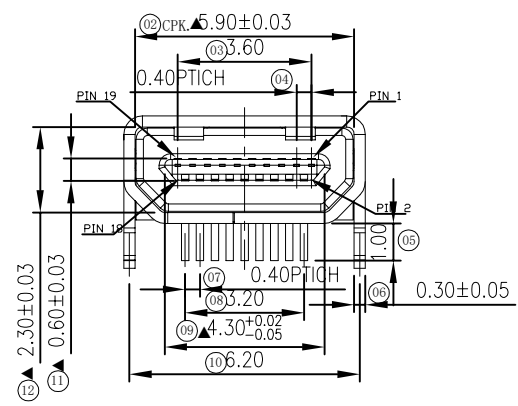


修订	标记	修改摘要	签名	日期
REV	MARK	REVISION DESCRIPTION	SIGNATURE	DATE
AO		NEW DWG		2016-03-12

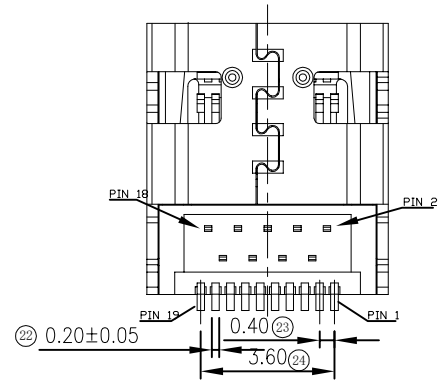



RECOMMENDED PCB LAYOUT THICKNESS = 0.8 mm  
TOLERANCE = ±0.05 (TOP VIEW)



- NOTES:
- MATERIAL SPECIFICATION
    - HOUSING: LCP+30% G.F
    - CONTACT: C5191-H T=0.15mm.
    - SHELL: SUS304-1/2H T=0.30mm.
    - MYLAR: KAPTON BASE, POLYIMIDE TAPE.
  - PLATING SPECIFICATION
    - CONTACT: NI40u" UNDER PLATED, GOLD FLASH PLATED ON THE FUNCTIONAL AREA OF CONTACT, GOLD PLATING OR TIN ON SOLDER AREA.
    - SHELL: NICKEL PLATED.
  - MECHANICAL PERFORMANCE
    - INSERTION FORCE: 44.1N (4.5 KGF) MAX.
    - WITHDRAWAL FORCE: 4.9N~25N(0.5KGF~2.5KGF).
    - DURABILITY: 5000 CYCLES.
  - ELECTRICAL PERFORMANCE
    - CURRENT RATING: 0.3A.
    - LLCR: CONTACT: 30 mΩ MAX(INITIAL), SHELL: 50 mΩ MAX(INITIAL).
    - INSULATION RESISTANCE:
      - A: UNMATED: 100 MΩ MIN. AT 500V DC.
      - B: MATED: 10 MΩ MIN. AT 150V DC.
    - DIELECTRIC WITHSTAND VOLTAGE:
      - 150V AC/60S(MATED), 250V AC/60S(UNMATED).
  - IR REFLOW:
 

THE PEAK TEMPERATURE ON BOARD SHALL BE MAINTAINED FOR 10 SECONDS AT 260±5°C.
  - OPERATING TEMPERATURE RANGE: -20°C~85°C(WITHOUT LOSS FUNCTION).





深圳市华德共创科技有限公司

Shenzhen Huade co-create Technology Co., LTD

电话: 0755-23304126 传真: 0755-29940187

-TOLERANCES- UNLESS OTHERWISE SPECIFIED 公差参数表		TITLE: HDMI D TYPE 19PIN前插后贴 产品名称: 外壳直脚四脚DIP脚距4.9白胶	
X.X ±0.30	X.X* ±3°	APPD: 核准:	PART NO: 产品编号: HDMI-GD-121PWB
X.XX ±0.20	X.XX* ±2°	CHECK: 校对: 王建业	DATE SCALE UNIT CODE NUMBER
X.XXX ±0.10	X.XXX* ±1°	DRAW: 绘图: 黄艳兰	2016-03-12 1:1 mm A001