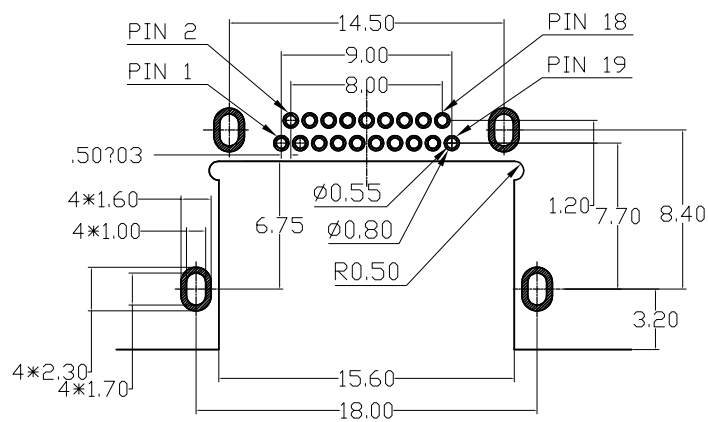
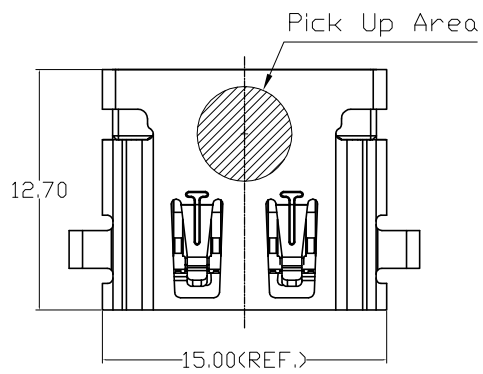
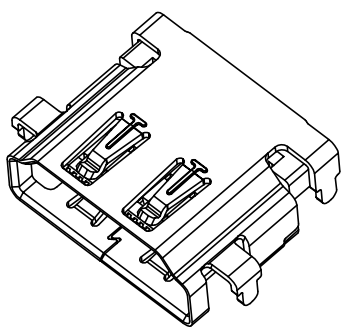
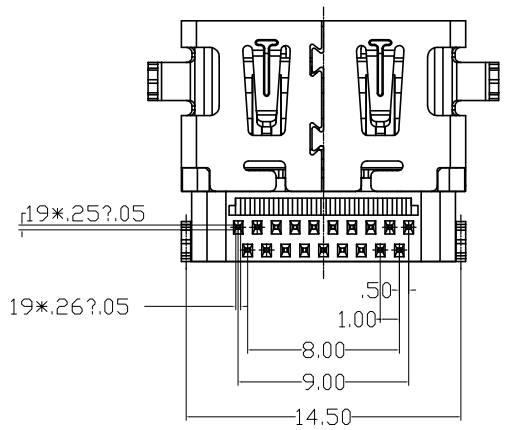
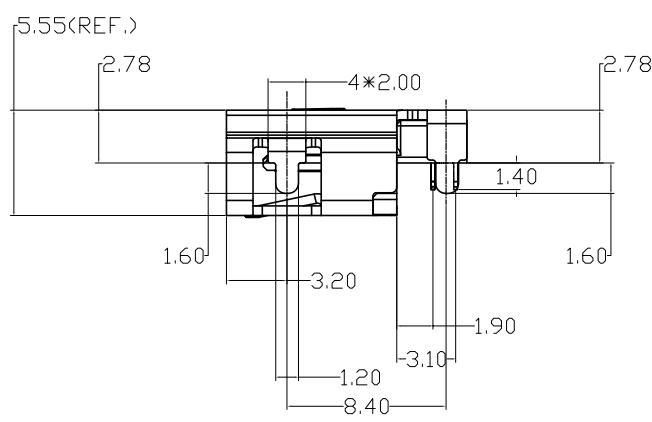
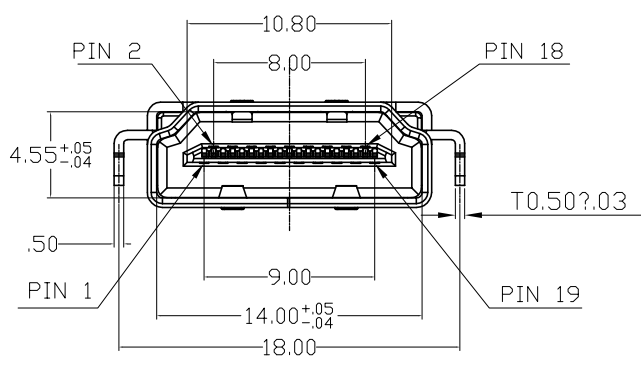


修 订 REV NO	标 记 MARK	修 改 描 要 REVISION DESCRIPTION	签 名 SIGNATURE	日 期 DATE
		NEW DWG		2016-03-12



RECOMMENDED PCB LAYOUT T=1.60
GENERAL TOLERANCES: ±0.05

- NOTES:
- ELECTRONIC:
CONTACT RESISTANCE: 20mohm MAX
INSULATION RESISTANCE: 1000 Mohm MIN
WITHSTAND VOLTAGE: AC 500V, 1min.
 - MECHANICAL:
DURABILITY: 10000 CYCLE.
 - ENVIRONMENT CHARACTERISTICS:
OPERATING TEMPERATURE: -55°C TO +105°C
 - RECOMMENDED PCB THICKNESS 1.2 TO 1.60MM
 - MATERIAL LIST:



3	SHELL	1	不锈钢 T=0.50	NI PLATED
2	CONTACT	19	COPPER ALLOY T=0.20	AU/TIN PLATED
1	HOUSING	1	THERMOPLASTIC	(UL 94V-0) BLACK
No.	PART NAME	QTY	MATERIAL	REMARK

深圳市华德共创科技有限公司
Shenzhen Huade co-create Technology Co., LTD
电话: 0755-23304126 传真: 0755-29940187

-TOLERANCES- UNLESS OTHERWISE SPECIFIED 公差参数表			TITLE: HDMI AF反向沉板不锈钢镀镍黑胶2.78 产品名称:			
X.X	±0.30	X.X*	±3°	APPD: 核准:	PART NO: 产品编号: HDMI-GD-114PWB	
X.XX	±0.20	X.XX*	±2°	CHECK: 校对: 王建业	DATE	SCALE UNIT CODE NUMBER
X.XXX	±0.10	X.XXX*	±1°	DRAW: 绘图: 黄艳兰	2016-03-12	1:1 mm A001

由 Autodesk 教育版产品制作

由 Autodesk 教育版产品制作