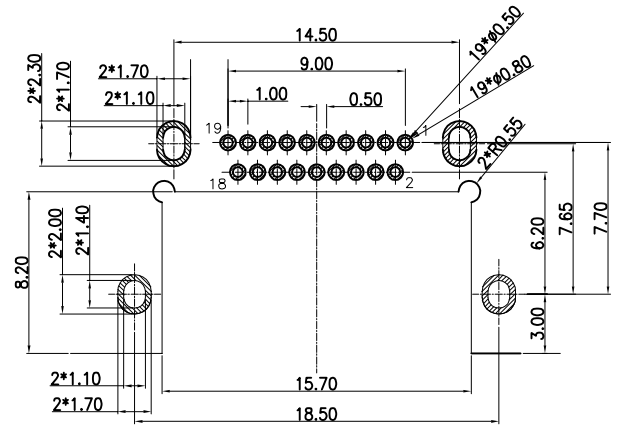
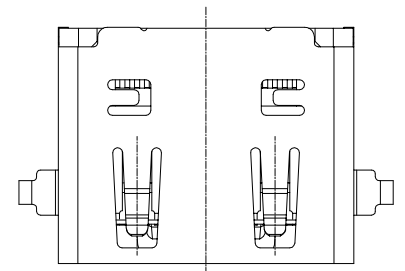
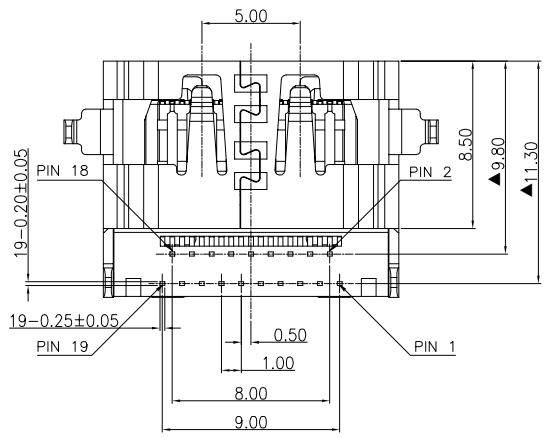
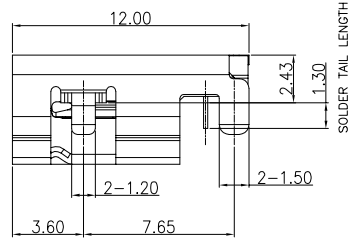
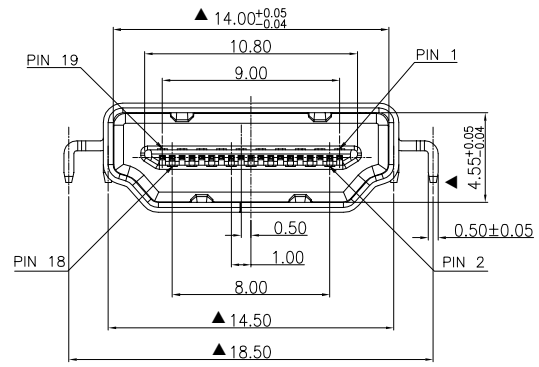


修 订 REV NO	标 记 MARK	修 改 描 要 REVISION DESCRIPTION	签 名 SIGNATURE	日 期 DATE
		NEW DWG		2016-03-12



RECOMMENDED P.C.B. LAYOUT
TOLERANCE UNSPECIFIED ±0.05mm



Note:
1.Mechanical characteristics
insertion force: 44.1N max
withdrawal force: 9.8N min, 39.2N max
mating cycle:10000 cycles
2.Electrical characteristics
rating current: 0.5A
rating voltage: 40V
contact resistance: 10 milliohms max
(excluding conductor resistance)
insulation resistance:
a, unmated: 100M Ohms min at 500 VDC
b, mated: 10M Ohms min at 150 VDC
dielectric withstanding voltage: 300V AC/1minute
operating teperature: -20°C~+85°C
storage temperature: -20°C~+65°C

MATERIAL LIST:

3	SHELL	1	C2680/SUS304 T=0.50	NI PLATED
2	19PIN	19	COPPER ALLOY T=0.20	AU/TIN PLATED
1	HOUSING	1	THERMOPLASTIC(LCP)	(UL 94V-0) BLACK
No.	PART NAME	QTY	MATERIAL	REMARK

HDCG 深圳市华德共创科技有限公司
Shenzhen Huade co-create Technology Co.,LTD
电话: 0755-23304126 传真: 0755-29940187

-TOLERANCES- UNLESS OTHERWISE SPECIFIED 公差参数表				TITLE: 产品名称: HDMI AF正向沉板铜壳镀镍黑胶2.43				
X.X	±0.30	X.X*	±3°	APPD: 核准:	PART NO: 产品编号: HDMI-GD-110PWB			
X.XX	±0.20	X.XX*	±2°	CHECK: 校对: 王建业	DATE	SCALE	UNIT	CODE NUMBER
X.XXX	±0.10	X.XXX*	±1°	DRAW: 绘图: 黄艳兰	2016-03-12	1:1	mm	A001