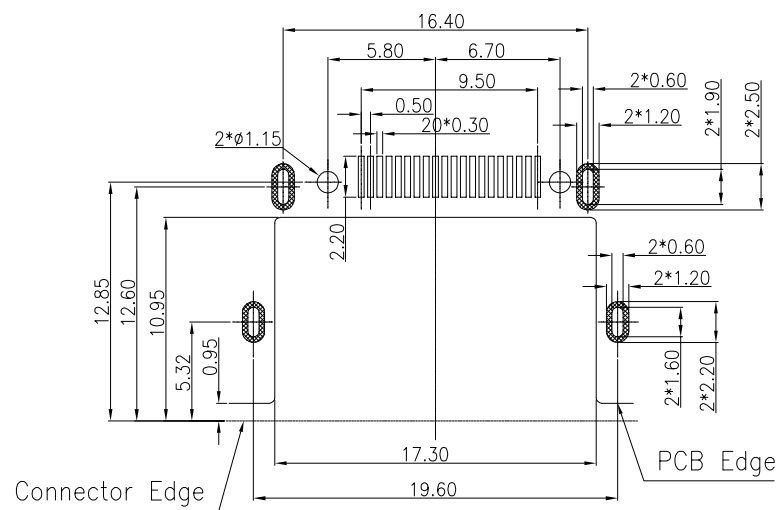
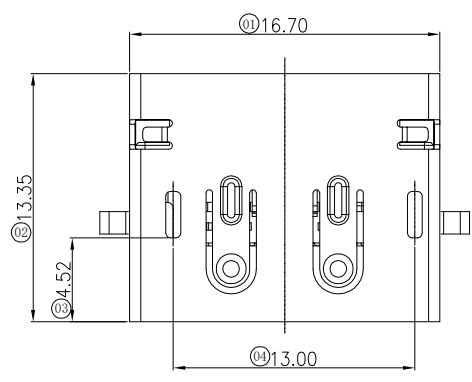
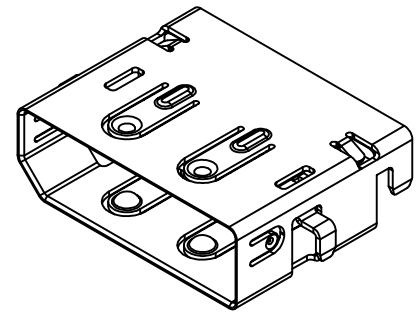
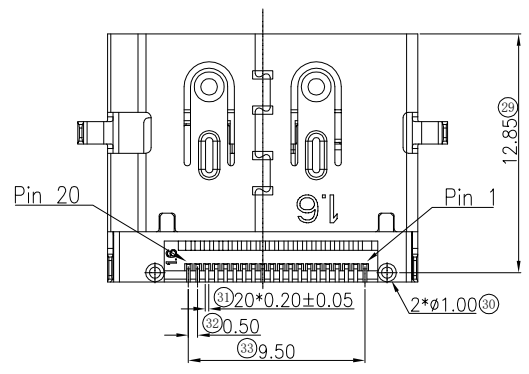
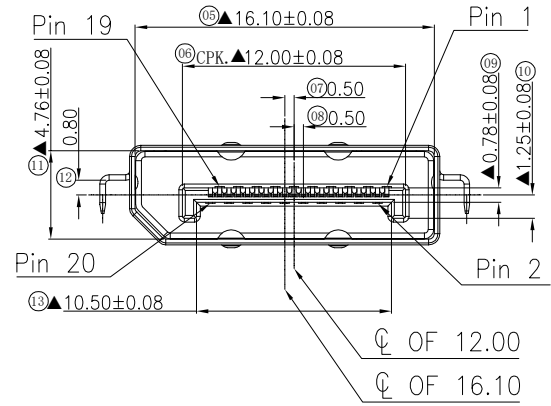
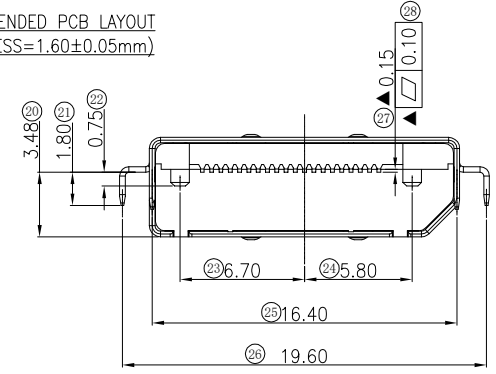
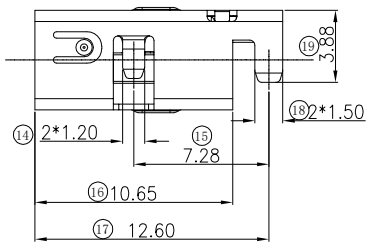


修订 REV NO	标记 MARK	修改摘要 REVISION DESCRIPTION	签名 SIGNATURE	日期 DATE
		NEW DWG		2016-03-12



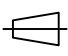


RECOMMENDED PCB LAYOUT  
(THICKNESS=1.60±0.05mm)



NOTE:

- A. MATERIAL:
- Housing: LCP(HF) UL94V-0 Black
  - Contact: Copper Alloy
  - Shell: Steel
- B. PLATING:
- Contact: Contact Area Gold Plated  
Solder Area Sn Plated  
Under Plated Nickel
  - Shell: Nickel Plated
- C. SPECIFICATION:
- Current: 0.5A
  - Voltage: 40V RMS
  - Withstanding Voltage: 500V AC
  - Contact Resistance:  $\Delta R=30$  m $\Omega$  max. (Contact)  
 $\Delta R=50$  m $\Omega$  max. (Shell)
  - Insulation Resistance: 100 M $\Omega$  min.
  - Temperature Range: -20°C to +85°C
  - Mating And unmating Force:
    - Mating Force: 4.5Kgf(44.1N)Max.
    - Unmating Force: 1.0Kgf~4.0Kgf(9.8N~39.2N)
  - Durability: 10000 Cycles

 深圳市华德共创科技有限公司 Shenzhen Huade co-create Technology Co.,LTD 电话: 0755-23304126 传真: 0755-29940187		TITLE: 大DP沉板母座1.6 不锈钢镀 产品名称: 镍黑胶CL-0.8						
-TOLERANCES- UNLESS OTHERWISE SPECIFIED 公差参数表		 		PART NO: 产品编号: DP-GD-120PWB				
X.X	±0.30	X.X*	±3°	APPD: 核准:	DATE	SCALE	UNIT	CODE NUMBER
X.XX	±0.20	X.XX*	±2°	CHECK: 校对: 王建业	2016-03-12	1:1	mm	A001
X.XXX	±0.10	X.XXX*	±1°	DRAW: 绘图: 黄艳兰				