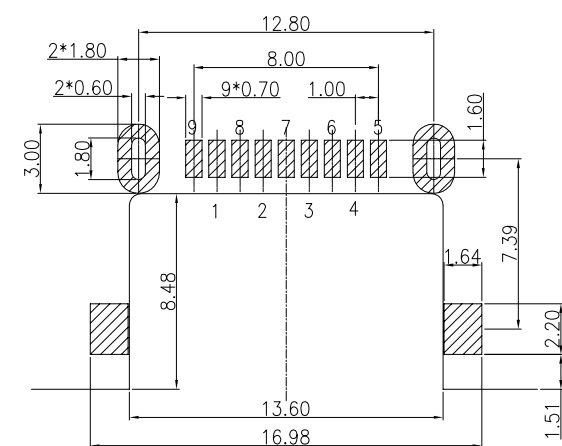
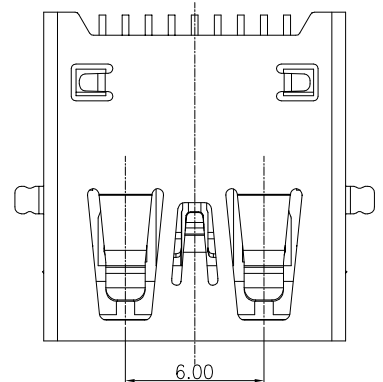
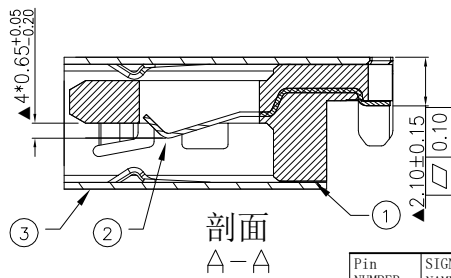
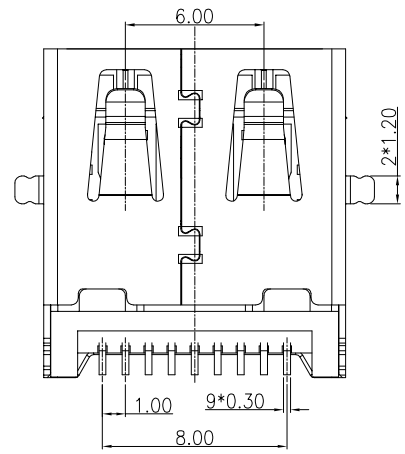
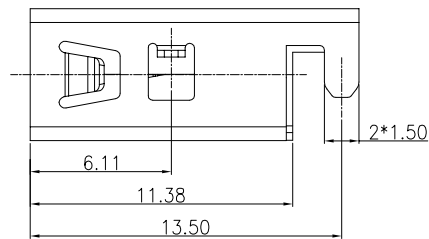
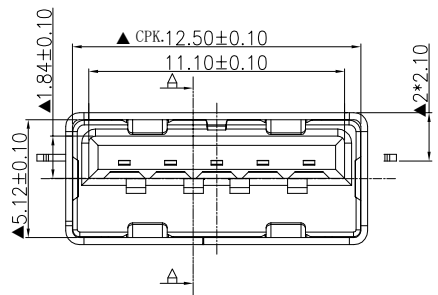


修订 REV A0	标记 MARK	修改摘要 REVISION DESCRIPTION NEW DWG	签名 SIGNATURE	日期 DATE 2016-03-12
-----------------	------------	---	-----------------	--------------------------



RECOMMENDED PCBA LAYOUT  
(TOLERANCE+±0.05)



NOTES:

- ELECTRONIC:
  - CONTACT CURRENT RATING: 1.5A
  - CONTACT RESISTANCE: 30mohm Max
  - INSULATION RESISTANCE: 100 Megohms Min
  - WITHSTAND VOLTAGE: AC100V, 1Min.
- MECHANICAL:
  - MATING FORCE: 3.57KG Max
  - UNMATED FORCE: 0.8KG Min
  - DURABILITY: 1500 CYCLES
- ENVIRONMENT CHARACTERISTICS:
  - OPERATING TEMPERATURE: -40° C TO +85° C

3	SHELL	1	COPPER ALLOY/SUS/SPCC	NI PLATED
2	CONTACT	9	COPPER ALLOY	AU /TIN PLATED
1	HOUSING	1	THERMOPLASTIC(LCP)	(UL 94V-0)
No.	PART NAME	QTY	MATERIAL	REMARK

Pin NUMBER	SIGNAL NAME
1	VBUS
2	D-
3	D+
4	GND
5	StdA_SSRX-
6	StdA_SSRX+
7	GND_DRAIN
8	StdA_SSTX-
9	StdA_SSTX+
Shell	Shield

深圳市华德共创科技有限公司  
Shenzhen Huade co-create Technology Co.,LTD  
电话: 0755-23304126 传真: 0755-29940187

-TOLERANCES- UNLESS OTHERWISE SPECIFIED 公差参数表			TITLE: USB 3.2 Gen2 AF SMT 沉板H=2.1MM 产品名称: 外壳 无卷边 不锈钢壳 LCP橙色			
APPD: 核准:	X.X ±0.30	X.X* ±3°	王建业	PART NO: USB3.0-GD-103PWB		
CHECK: 校对:	X.XX ±0.20	X.XX* ±2°	黄艳兰	DATE	SCALE	
DRAW: 绘图:	X.XXX ±0.10	X.XXX* ±1°	2016-03-12	1:1	UNIT: mm	
					CODE NUMBER: A001	