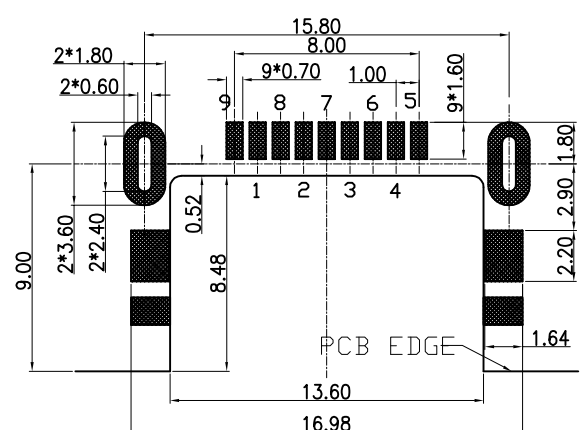
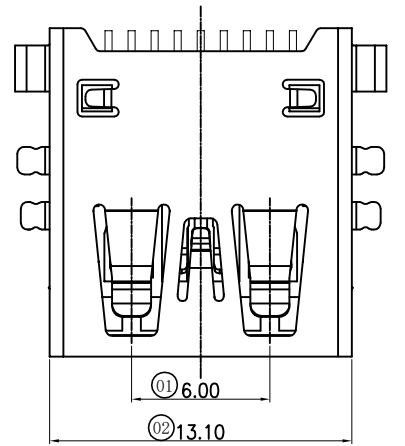


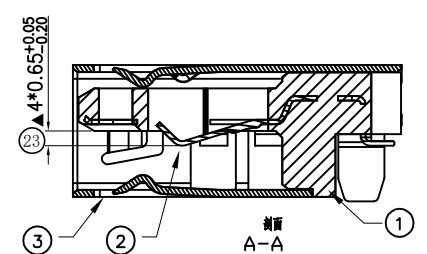
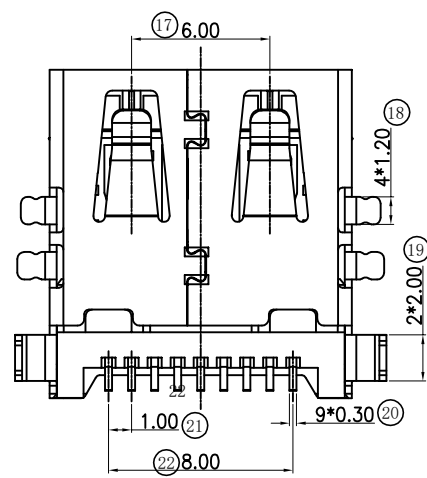
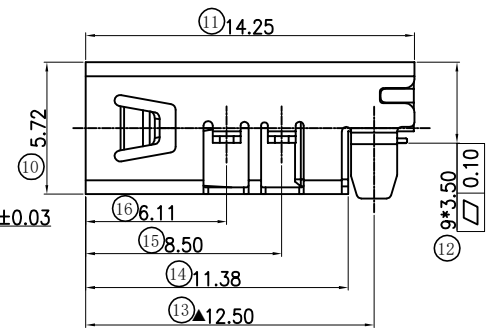
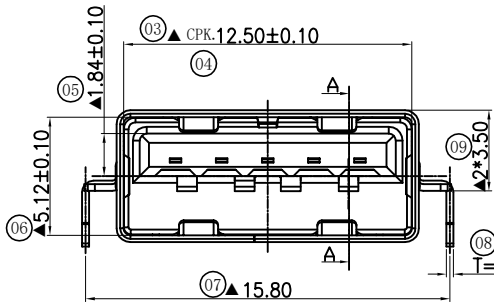
修 订 REV NO	标 记 MARK	修 改 描 要 REVISION DESCRIPTION	签 名 SIGNATURE	日 期 DATE
		NEW DWG		2016-03-12



RECOMMENDED PCBA LAYOUT
(TOLERANCE ± 0.05)

NOTES:

- ELECTRONIC:
 - CONTACT CURRENT RATING: 1.5A
 - CONTACT RESISTANCE: 30mohm Max
 - INSULATION RESISTANCE: 100 Megohms Min
 - WITHSTAND VOLTAGE: AC100V, 1Min.
- MECHANICAL:
 - MATING FORCE: 3.57KG Max
 - UNMATED FORCE: 0.8KG Min
 - DURABILITY: 1500 CYCLES
- ENVIRONMENT CHARACTERISTICS:
 - OPERATING TEMPERATURE: -40° C TO +85° C



3	SHELL	1	COPPER ALLOY/SUS/SPCC	NI PLATED
2	CONTACT	9	COPPER ALLOY	AU /TIN PLATED
1	HOUSING	1	THERMOPLASTIC(LCP)	(UL 94V-0) BLUE
No.	PART NAME	QTY	MATERIAL	REMARK

HDGC 深圳市华德共创科技有限公司
Shenzhen Huade co-create Technology Co.,LTD
电话: 0755-23304126 传真: 0755-29940187

-TOLERANCES- UNLESS OTHERWISE SPECIFIED 公差参数表				TITLE: USB 3.0 Gen2 AF SMT 沉板H=3.5MM 产品名称: 外壳 无卷边 不锈钢壳 LCP蓝色				
X.X	±0.30	X.X*	±3°	APPD: 核准:	PART NO: USB3.0-GD-102PWB 产品编号:			
X.XX	±0.20	X.XX*	±2°	CHECK: 校对: 王建业	DATE	SCALE	UNIT	CODE NUMBER
X.XXX	±0.10	X.XXX*	±1°	DRAW: 绘图: 黄艳兰	2016-03-12	1:1	mm	A001