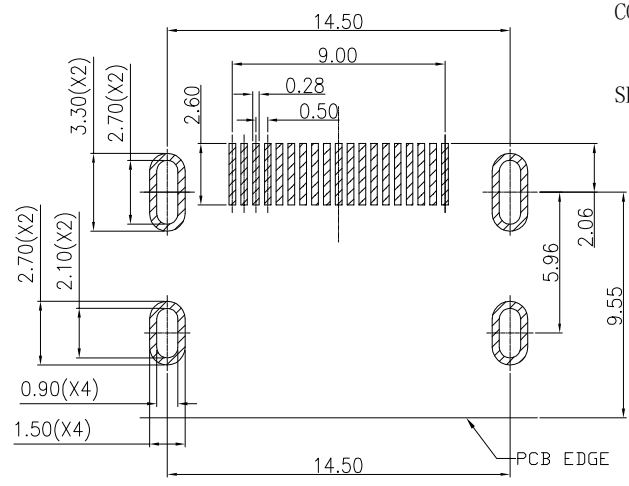
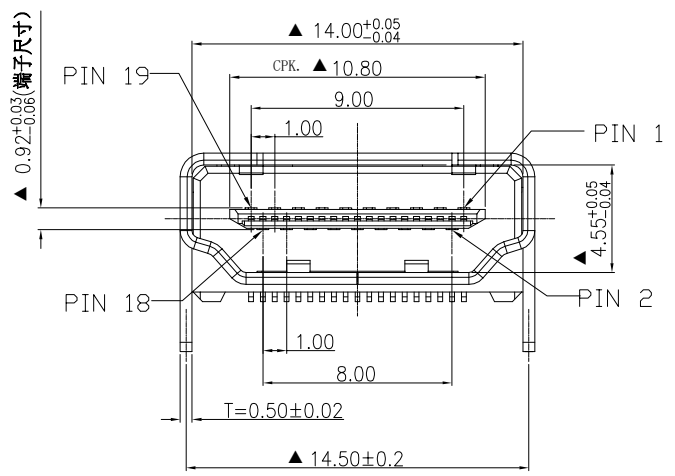
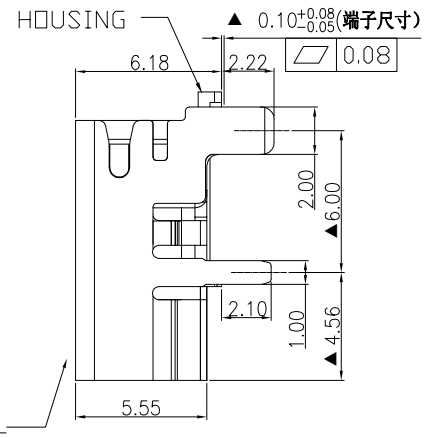
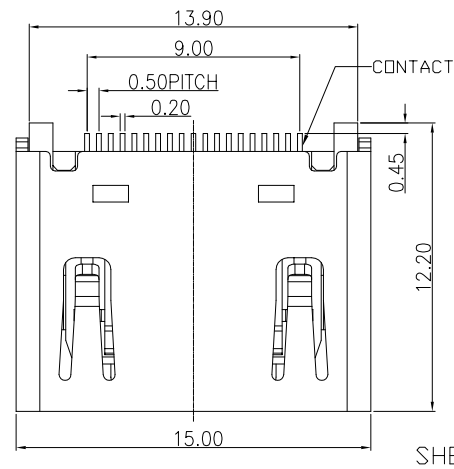


修订	标记	修改摘要	签名	日期
REV	MARK	REVISION DESCRIPTION	SIGNATURE	DATE
AO		NEW DWG		2016-03-12



RECOMMENDED PCB LAYOUT(TOP VIEW)  
(THICKNESS=1.6±0.05mm)

SPECIFICATION

- Electrical characteristics
  - Contact Current Rating:0.5 A
  - Dielectric Withstanding Voltage:300V AC
  - Insulation Resistance:a. Mate 100MΩ MIN at 500V/DC
  - b. Unmate 10MΩ MIN at 150V/DC
  - Contact Resistance:30mΩ MAX
  - Temperature Range:-20° C to +85° C
- Mechanical
  - Mating Face:44.1N MAX
  - Unmating Face:9.8N MIN;39.2N MAX
  - Durability:10000 Cycles
- material:
  - HOUSING:THERMOPLASTICS HIGH TEMP LCP+GLASS
  - FIBER BLACK COLOR, UL94V-0
  - CONTACT:Copper Alloy , T=0.20MM
  - SHELL:C2680 , T=0.50MM
- PLATING:
  - CONTACT:1~30u" GOLD/TIN PLATING ON CONTACT AREA
  - 100u"MIN, TIN PLATING ON SOLDER TAILS
  - 50u"MIN, NICKEL UNDERPLATING OVER ALL
  - SHELL:80u" , NICKEL UNDERPLATING OVER ALL

		深圳市华德共创科技有限公司 Shenzhen Huade co-create Technology Co.,LTD 电话: 0755-23304126 传真: 0755-29940187			
-TOLERANCES- UNLESS OTHERWISE SPECIFIED 公差参数表			TITLE: 产品名称: HDMI AF SMT铁壳镀镍黑胶无侧弹		
X.X ±0.30	X.X* ±3°	APPD: 核准:	PART NO: 产品编号: HDMI-GD-108PWB		
X.XX ±0.20	X.XX* ±2°	CHECK: 校对: 王建业	DATE	SCALE	UNIT
X.XXX ±0.10	X.XXX* ±1°	DRAW: 绘图: 黄艳兰	2016-03-12	1:1	mm
			CODE NUMBER	A001	