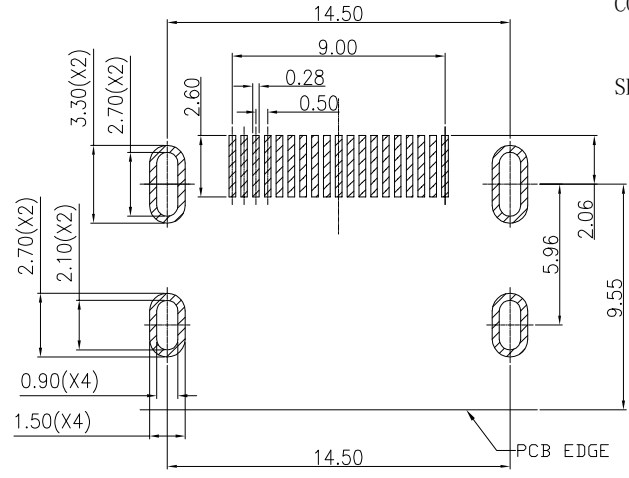
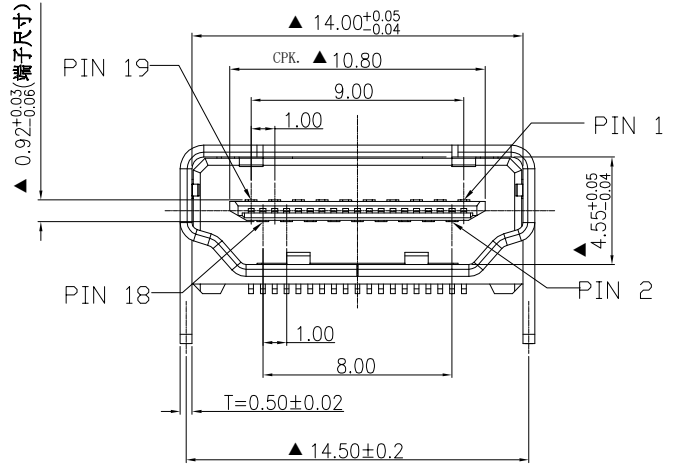
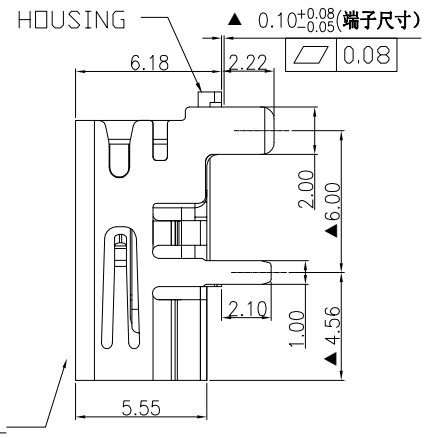
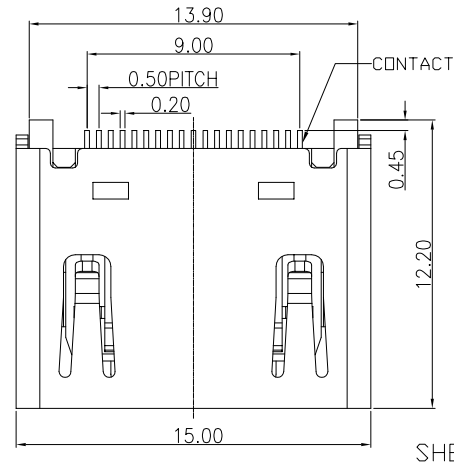


修订	标记	修改摘要	签名	日期
REV	MARK	REVISION DESCRIPTION	SIGNATURE	DATE
AO		NEW DWG		2016-03-12



RECOMMENDED PCB LAYOUT(TOP VIEW)
(THICKNESS=1.6±0.05mm)

SPECIFICATION

- Electrical characteristics
 - Contact Current Rating:0.5 A
 - Dielectric Withstanding Voltage:300V AC
 - Insulation Resistance:a. Mate 100MΩ MIN at 500V/DC
 - b. Unmate 10MΩ MIN at 150V/DC
 - Contact Resistance:30mΩ MAX
 - Temperature Range:-20° C to +85° C
- Mechanical
 - Mating Face:44.1N MAX
 - Unmating Face:9.8N MIN;39.2N MAX
 - Durability:10000 Cycles
- material:
 - HOUSING:THERMOPLASTICS HIGH TEMP LCP+GLASS
 - FIBER BLACK COLOR, UL94V-0
 - CONTACT:Copper Alloy ,T=0.20MM
 - SHELL:C2680 ,T=0.50MM
- PLATING:
 - CONTACT:1~30u" GOLD/TIN PLATING ON CONTACT AREA
 - 100u"MIN, TIN PLATING ON SOLDER TAILS
 - 50u"MIN, NICKEL UNDERPLATING OVER ALL
 - SHELL:80u" , NICKEL UNDERPLATING OVER ALL

		深圳市华德共创科技有限公司 Shenzhen Huade co-create Technology Co.,LTD 电话: 0755-23304126 传真: 0755-29940187			
-TOLERANCES- UNLESS OTHERWISE SPECIFIED 公差参数表			TITLE: 产品名称: HDMI AF SMT铁壳镀镍黑胶有侧弹		
X.X ±0.30	X.X* ±3°	APPD: 核准:	PART NO: 产品编号: HDMI-GD-107PWB		
X.XX ±0.20	X.XX* ±2°	CHECK: 校对: 王建业	DATE	SCALE	UNIT
X.XXX ±0.10	X.XXX* ±1°	DRAW: 绘图: 黄艳兰	2016-03-12	1:1	mm
					CODE NUMBER A001