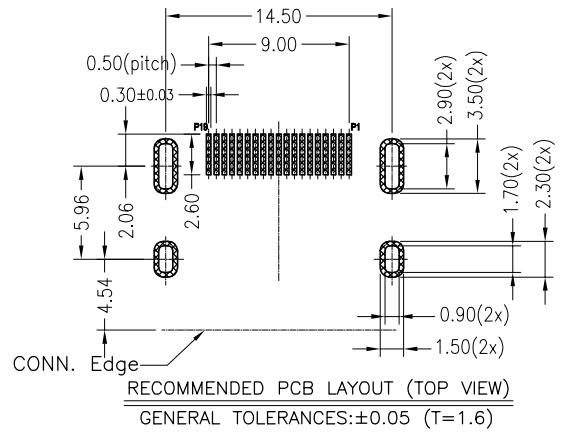
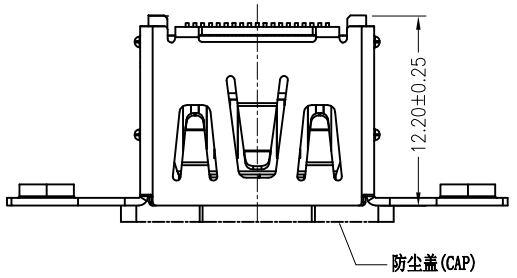
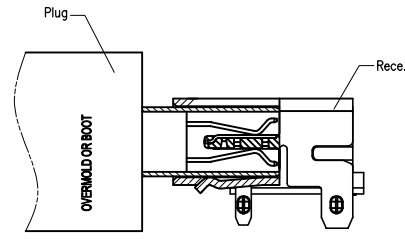
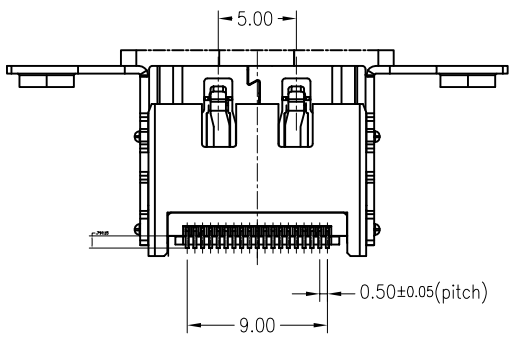
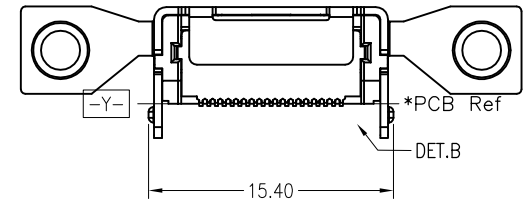
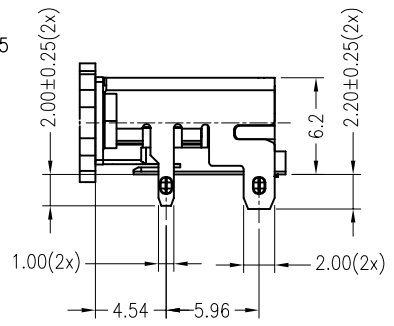
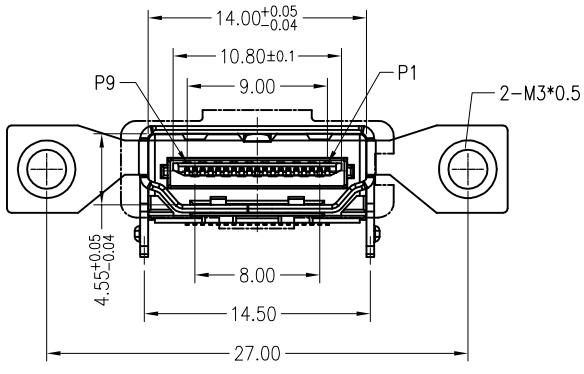


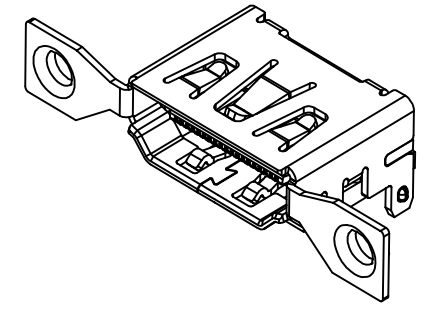
修订	标记	修改摘要	签名	日期
REV	MARK	REVISION DESCRIPTION	SIGNATURE	DATE
AO		NEW DWG		2016-03-12



- NOTES:
- MATERIAL AND PLATING:
Housing: LCP+30%G.F,UL 94V-0,Black
CAP: LCP+30%G.F,UL 94V-0,Black
Contact: Copper Alloy, Au And Sn Plated.
Shell: C2680-H, Ni Plated.
 - MECHANICAL CHARACTERISTIC
Mating Force: 44.1N(4.5Kgf) max.
Unmating Force: 9.8N~39.2(1~4Kgf).
Durability: 10,000 Cycles.
 - ELECTRICAL CHARACTERISTIC
Contact Resistance: 30m Ωhm Max.
Insulation Resistance: 100M Ωhm Min(unmated)
10M Ωhm Min(mated)
Dielectric Withstanding Voltage: 500V AC Min
 - TEMPERATURE
Operating Temperature: -40?~+85?
Storage Temperature: -60?~+105?



Mated Condition



		深圳市华德共创科技有限公司 Shenzhen Huade co-create Technology Co.,LTD 电话: 0755-23304126 传真: 0755-29940187						
-TOLERANCES- UNLESS OTHERWISE SPECIFIED 公差参数表				TITLE: 产品名称: HDMI AF RA TYPE侧面双螺孔				
X.X	±0.30	X.X*	±3°	APPD: 核准:	PART NO: 产品编号: HDMI-GD-106PWB			
X.XX	±0.20	X.XX*	±2°	CHECK: 校对: 王建业	DATE	SCALE	UNIT	CODE NUMBER
X.XXX	±0.10	X.XXX*	±1°	DRAW: 绘图: 黄艳兰	2016-03-12	1:1	mm	A001