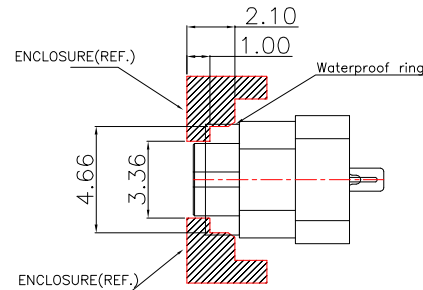
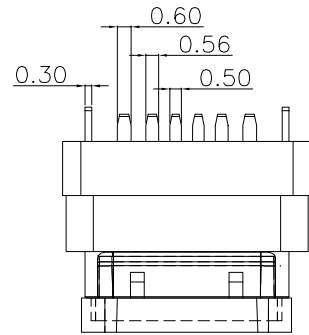


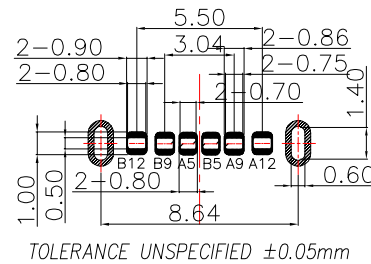
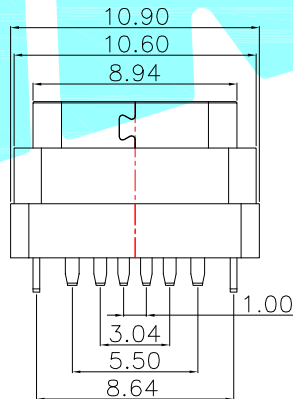
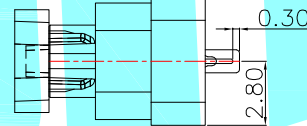
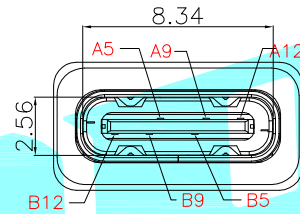
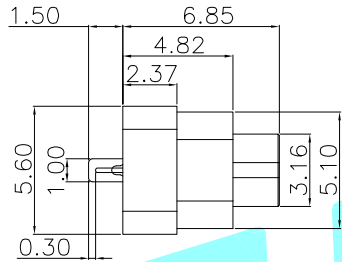
NOTES:

SPECIFICATION:

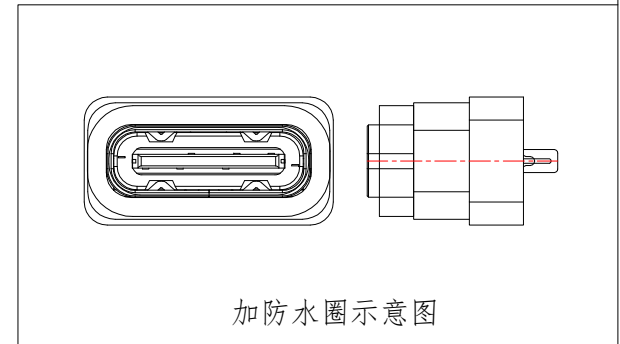
1. CURRENT RATING: 3.0A MAX
2. VOLTAGE: 30 VAC
3. TEMPERATURE RANGE: -30 °C ~ 85 °C
4. CONTACT RESISTANCE: 40 MILLIONHM MAX
5. INSULATION RESISTANCE: 100 MEGOHMS MIN.
6. LNSERTION FORCE : 5N~20N
7. UNMATING FORCE: 8N~20N
8. DURABILITY: 10,000 CYCLES
9. WATER PROOFNESS: THIS PRODUCT IS BASED ON IPX7.



RECOMMENDED SCHEMATIC DRAWING OF CONNECTOR MATCH CHASSIS



A5	CC1	B12	GND
A9	VBUS	B9	VBUS
A12	GND	B5	CC2
PIN	SIGNAL NAME	PIN	SIGNAL NAME



④	防水圈	—	1	硅胶	Black
③	Shell	—	1	SUS304	Ni Plated
②	Contact	—	1	BRASS	Au Plated
①	Housing	—	1	PA9T	Black
ITEM	PART NAME	TER'NO.	QTY.	MATERIAL	FINISHING

APPROVALS		DATE				
DRAWN	LIUCAN	2023.5.23				
CHECKED				PART NO.	TYPE-C-31-E-11C	
APPROVALS				UNIT: mm	SCALE: 1:1	PROJ:
TOLERANCES ARE	30~以上	±0.30	ANGLE	DRAWING NO.	SHEET 1 OF 1	
	10~30	±0.25				
	5~10	±0.20				
	~ 5	±0.15				

ECN NO.	REV.	DATE.	DESCRIPTION.	CHANGE.	CHECK.	APPRO.
—	A	—	NEW	—	—	—