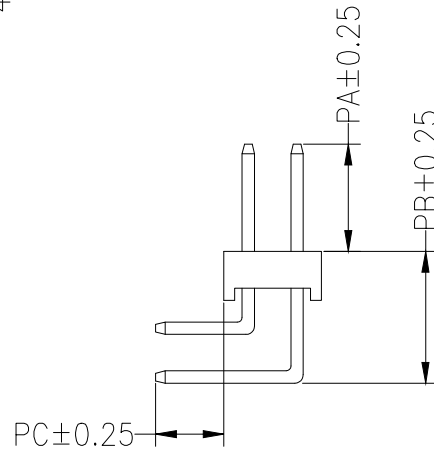
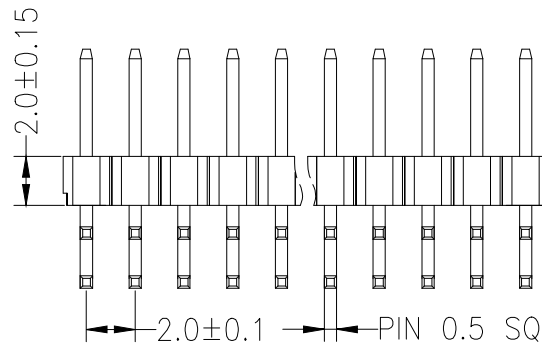
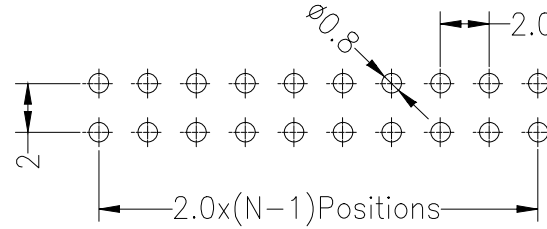
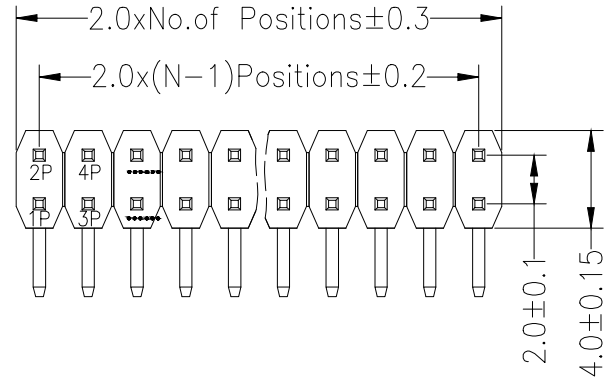


Recommended P.C.B Layout(Top Side)
(PCB BOARD TOLERANCE±0.05)



SPECIFICATIONS

Rated Current:1.5AMP
Contact Resistance:20mΩ Max
Withstand Voltage:500V AC/DC
Insulation Resistance:1000MΩ Min
Operation Temperature:-40°C to +105°C

Contact Material:Brass
Contact Plating:Au or Sn Over Ni
Insulator Material:Polyester(UL94V-0)
Standard: PA6T
Max.Processing Temp: 230°C for 30-60 seconds
(260°C for 5 seconds)

Dimension antitheses list			
ITEM	PA	PB	PC
Standard	4.00	5.40	2.80
Alternate			

Ordering Information

PZ 200 - * - N - W - * - **

No. of Rows
1=Single Row
2=Dual Row

No. of Pins
2-40Pin

Type
Z=直针
W=弯针
S=双插
R=单插

Length
(产品型高)

Contact Plating
G0:Gold Flash
G1:1u" Gold
G2:3u" Gold
G3:5u" Gold
G4:10u" Gold
G5:15u" Gold
G6:30u" Gold
S0:Gold Flash/Tin
S1:Tin

			GENERAL TOLERANCE	制图 DRAWING	深圳市华灿天禄电子有限公司 ShenzhenhuacantianluELECTRONICS CO., LTD			
			DIM TOL	审核 CHECK				
			X.X ±0.30	批准 APPROVAL	产品名称 TITLE	2.00双排 排针 弯针(塑高2.0)	版本 REV.	A
			X.XX ±0.20	比例 SCALE	产品料号 PART NO.	PZ200-2-N-W-2.0-XX	单位 UNITS	mm
			X.XXX ±0.10	投影 Projection	材料 MATERIAL		页次 SHEET	1/1
序号 No.	变更内容 MODIFY CONTENT	日期 MODIFY DATE	Angle ±3.0°					