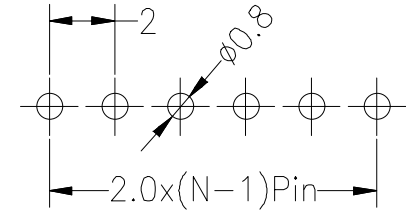
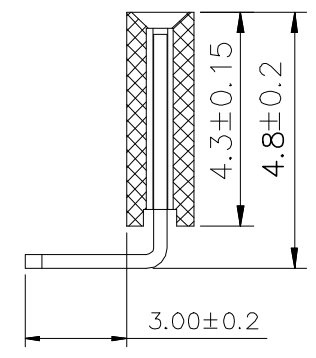
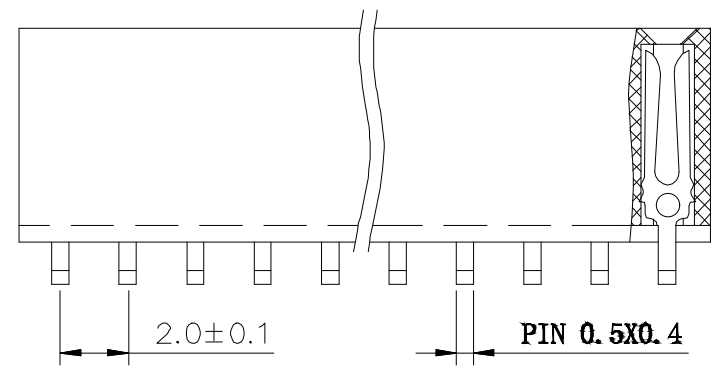


Recommended P.C.B Layout(Top Side)
(PCB BOARD TOLERANCE±0.05)



SPECIFICATIONS
 Rated Current:1.5AMP
 Contact Resistance:20mΩ Max
 Withstand Voltage:500V AC/DC
 Insulation Resistance:1000MΩ Min
 Operation Temperature:-40°c to +105°c

Contact Material:Brass
 Contact Plating:Au or Sn Over Ni
 Insulator Material:Polyester(UL94V-0)
 Standard: PA6T
 Max.Processing Temp: 230°C for 30-60 seconds
 (260°C for 10 seconds)



Ordering Information

PM 200 - * - N - W - * - **

No.of Rows 1=Single Row 2=Dual Row	No.of Pins 2-40Pin	Type 2-插针 4-弯针 5-直插 6-插板	Length (塑料) (厘米)	Contact Plating C0:Gold Flash C1:1u" Gold C2:3u" Gold C3:5u" Gold C4:10u" Gold C5:15u" Gold C6:30u" Gold S0:Gold Flash/Tin S1:Tin
--	-----------------------	--------------------------------------	------------------------	--

			GENERAL TOLERANCE		制图 DRAWING		深圳市华灿天禄电子有限公司 ShenzhenhuacantianluELECTRONICS CO.,LTD				
			DIM	TOL	审核 CHECK			产品名称 TITLE	2.00单排 排母 弯针	版本 REV.	A
			X.X	±0.30	批准 APPROVAL			产品料号 PART NO.	PM200-1-N-W-4.3-XX	单位 UNITS	mm
			X.XX	±0.10	比例 SCALE			材料 MATERIAL			
			X.XXX	±0.10	投影 Projection						
序号 No.	变更内容 MODIFY CONTENT	日期 MODIFY DATE	Angle	±3.0°							
									页次 SHEET	1/1	