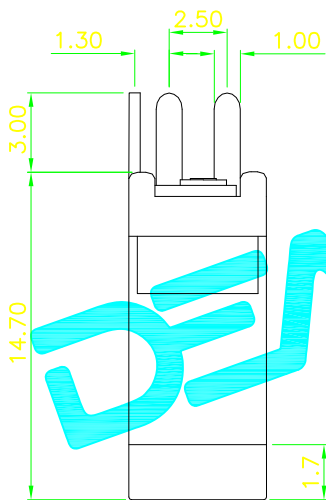
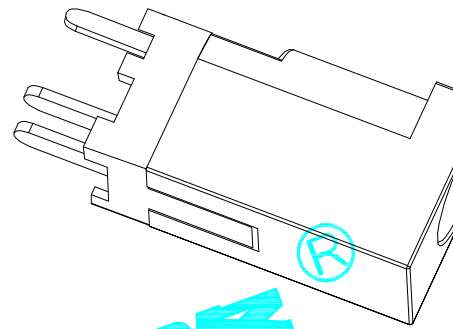
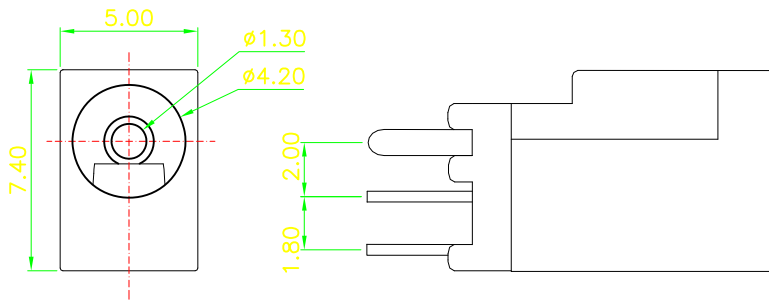


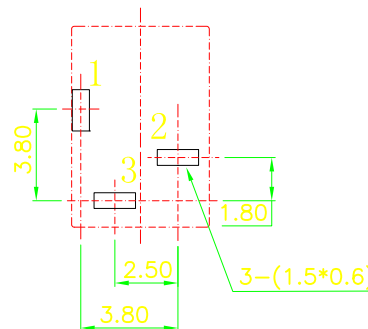
CAD FILE:



Rating:0.5A 30V DC
Contact Resistance:100 m Ω Max.
Operating temperature:-20 $^{\circ}$ C~70 $^{\circ}$ C
Operating force:3~20N
Operating Life:5,000cycles

线路板开孔尺寸
P.C.B LAYOUT

Model No.	100	130
PIN	$\phi 1.0$	$\phi 1.3$



APPROVALS
DRAWN G.M.Chen 2015/7/17

DATE
DEALON 德之隆
ELECTRONICS CO.,LT