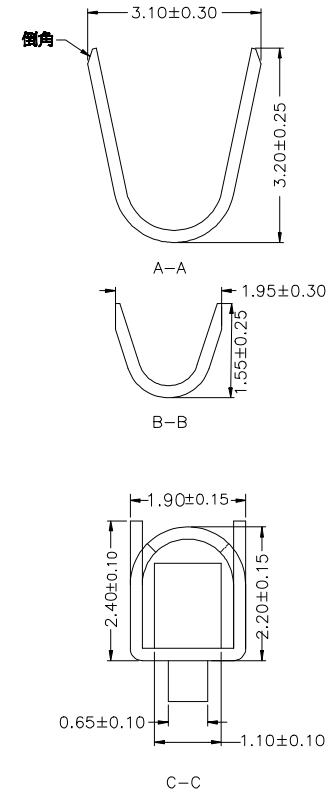
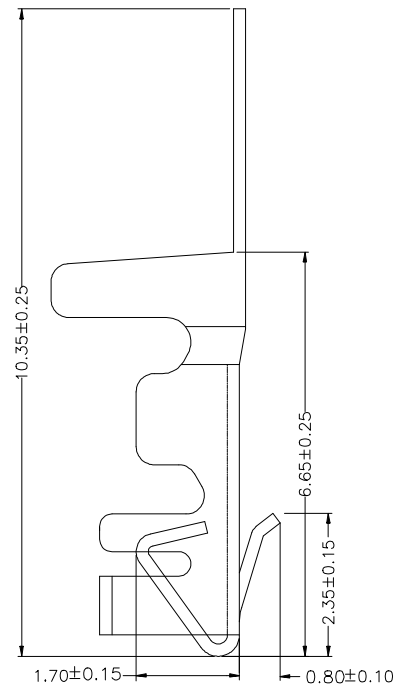
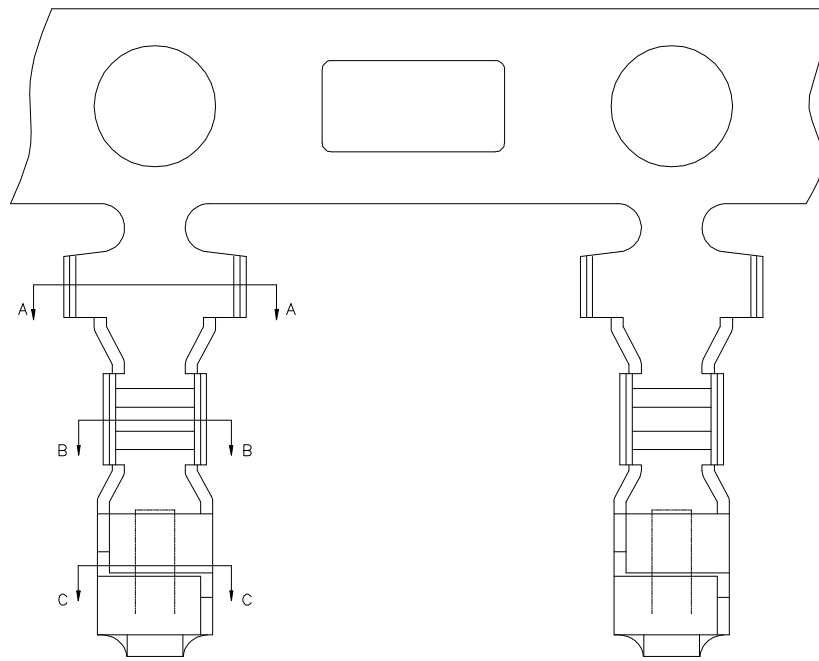


1 2 3 4 5 6 7 8 9

F  
E  
D  
C  
B  
A



Contact Material: Phosphor Bronze  
 Finish: See Part Number  
 Wire range: AWG#22~28  
 Insulation O.D: 1.9mm(max)  
 Qty/Reel: 7000  
 All materials must meet GREENCONN  
 hazardous substances control standards.

**Ordering Information**

GRG115 - 01 XX XX  
 Standard Plating: 01=Tin, 02=Gold Flash  
 Materials: AB=Phosphor Bronze

**格稜股份有限公司**  
**Greenconn Corporation**

REV. B UNIT. mm SCALE. 1:1 PAGE. 1/1

GENERAL TOLERANCE	
X.±	X.±
.X'±	.X±0.25
.XX'±	.XX±0.15
.XXX'±	.XXX±0.10

DESIGNED:	DATE:
CHECKED:	DATE:
APPROVED:	DATE:

DWG. NO. GRG115-T1  
 PART NO. GRG115-01 XX XX

TITLE. 2.5mm pitch Terminal

9B 1 2 3 4 5 6 7 8 9