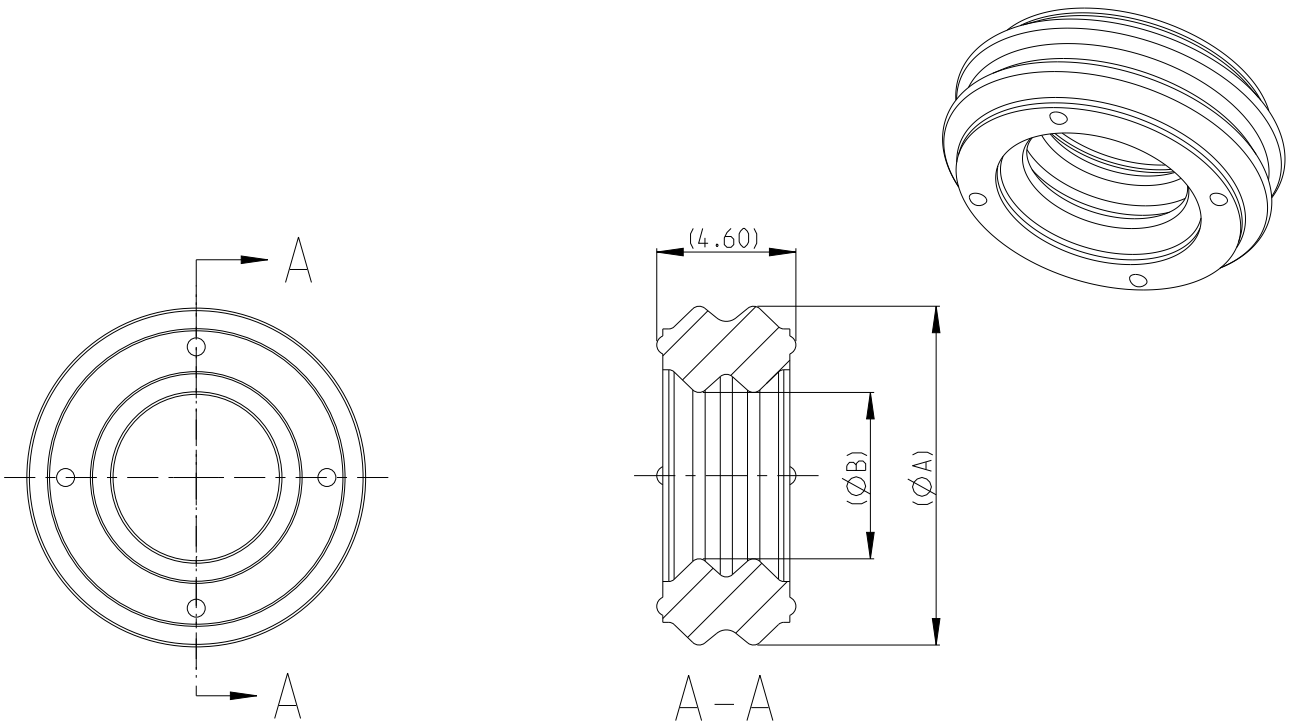


REVISIONS					
P	LTR	DESCRIPTION	DATE	DWN	APVD
	A	INITIAL RELEASE	15MAY21	Z.C	I.Y



1 MATERIAL:
 INHERENTLY LUBRICATED SILICONE
 COLOR: SEE CHART
 HARDNESS: 27±4 SHORE A

- PART DIMENSIONS SHOWN ARE IN FREE STATE CONDITION
- FEATURE DENOTED BY REFERENCE DIMENSIONS MUST BE INSPECTED FOR PRESENCE
- PART MUST BE FREE OF EXCESSIVE FLASH, MIS-MATCH, STAINS, SCORES, SINK MARKS, OR OTHER VISUAL IMPERFECTIONS THAT MAY AFFECT PRODUCT FIT OR FUNCTION

Ø5.50	Ø11.20	GREEN	FOR 6SQM	2371244-3
Ø4.70	Ø11.20	RUST RED	FOR 4SQM	2371244-2
Ø3.60	Ø11.30	LIGHT BLUE	FOR 2.5SQM	2371244-1
DIM. B	DIM. A	COLOR	DESCRIPTION	PART NO

© 2021 TE Connectivity. All Rights Reserved.

DIMENSIONS: mm		DWN Z.CHEN 29APR2021	MATERIAL		FINISH	
TOLERANCES UNLESS OTHERWISE SPECIFIED:		CHK J.LI 30APR2021	1-			
0 PLC ±		APVD I.YIN 09MAY2021	TE Connectivity			
1 PLC ±		PRODUCT SPEC	NAME SINGLE WIRE SEAL			
2 PLC ±		108-160170	HD400			
3 PLC ±		APPLICATION SPEC	SIZE	CAGE CODE	DRAWING NO	RESTRICTED TO
4 PLC ±		114-160093	A 4	00779	C=2371244	-
ANGLES ±		WEIGHT	CUSTOMER DRAWING			
		-	SCALE	SHEET	REV	
			4:1	1 OF 1	A	