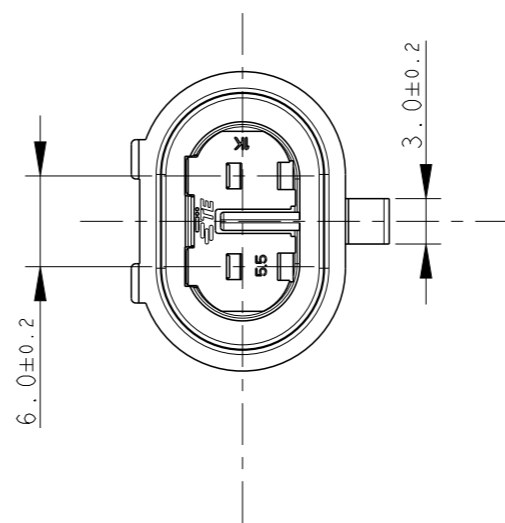
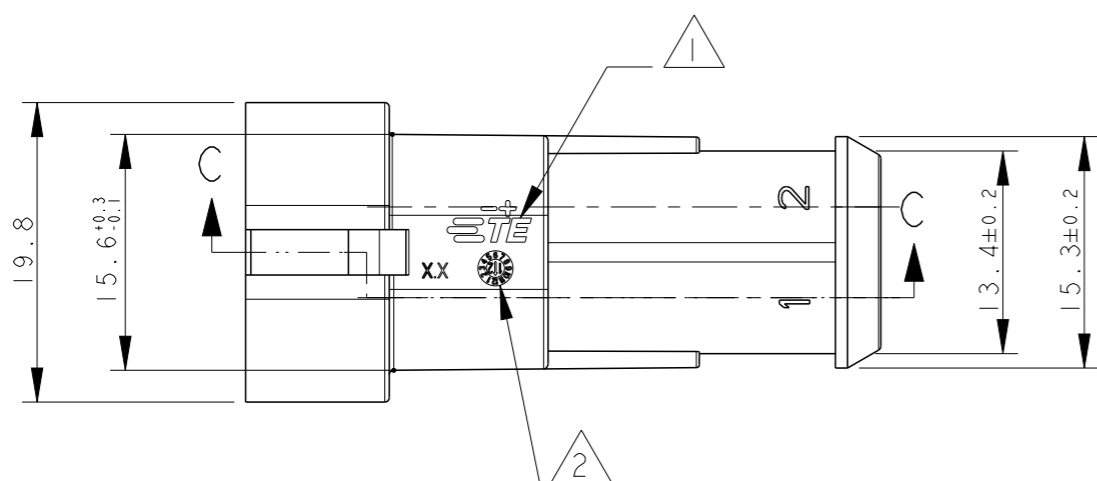
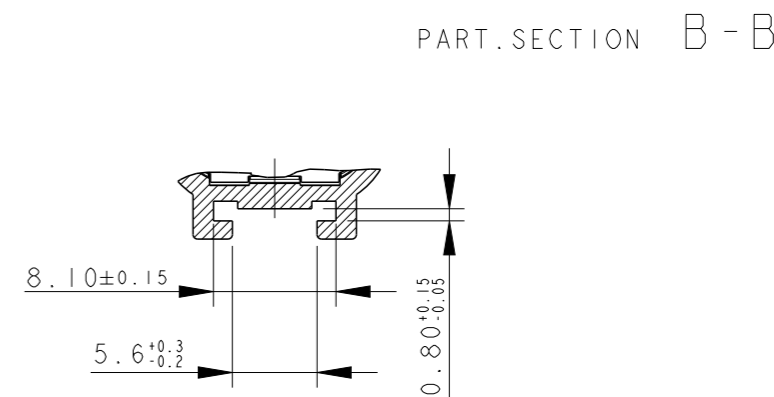
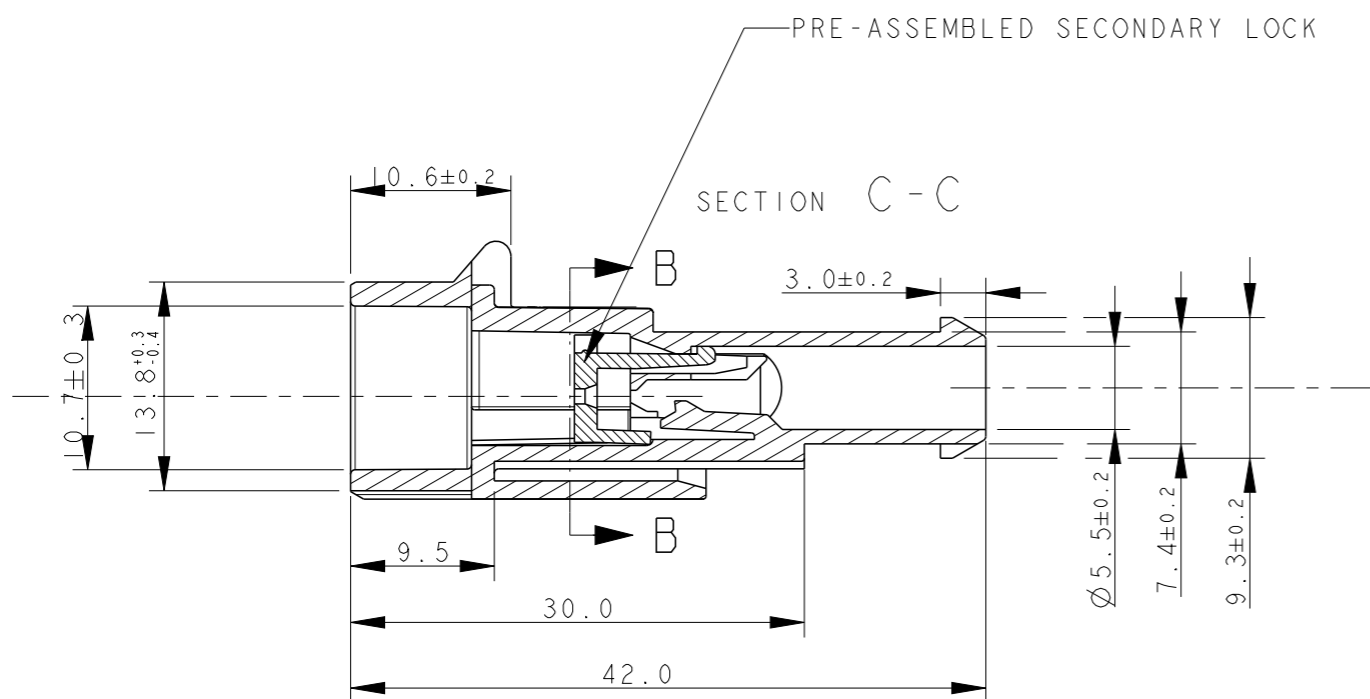


REVISIONS

P	LTR	DESCRIPTION	DATE	DWN	APVD
	A	INITIAL RELEASE	25NOV2022	N.S	J.Z



HSG: GREEN SEC. LOCK: RED	PBT-GF	A	2356872-3
HSG: GRAY SEC. LOCK: RED	PBT-GF	A	2356872-2
HSG: BLACK SEC. LOCK: RED	PBT-GF	A	2356872-1
FINISH/COLOR	MATERIAL	REV	P/N

1 TE CONNECTIVITY TRADE MARK,
2 DATE CODE (OPTIONAL IN OLD MOULDS)

THIS DRAWING IS A CONTROLLED DOCUMENT.		DWN N. SONG	25NOV2022	TE Connectivity	
DIMENSIONS: mm		CHK S. FAN	25NOV2022		
TOLERANCES UNLESS OTHERWISE SPECIFIED:		APVD J. ZONG	25NOV2022		
0 PLC ± 1 PLC ± 0.3 2 PLC ± 3 PLC ± 4 PLC ± ANGLES ± 2°		PRODUCT SPEC 108-160794	APPLICATION SPEC 412-20000		
MATERIAL SEE TABLE		FINISH SEE TABLE		NAME AMP SUPERSEAL 1.5 SRS. 2 POSITIONS TAB ASS'Y -	
		WEIGHT 3.72g	CUSTOMER DRAWING	SIZE A300779	CAGE CODE C-2356872
		SCALE 2:1		SHEET 1 OF 1	REV A