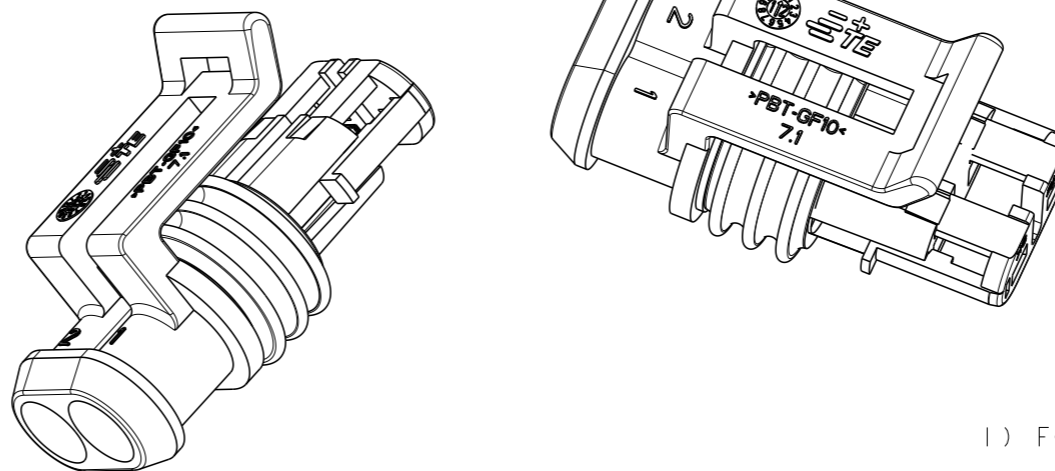
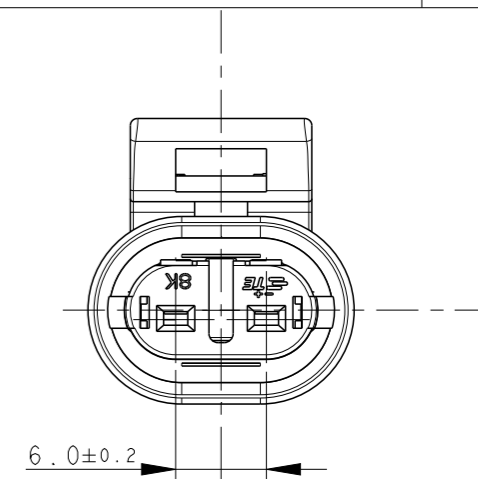
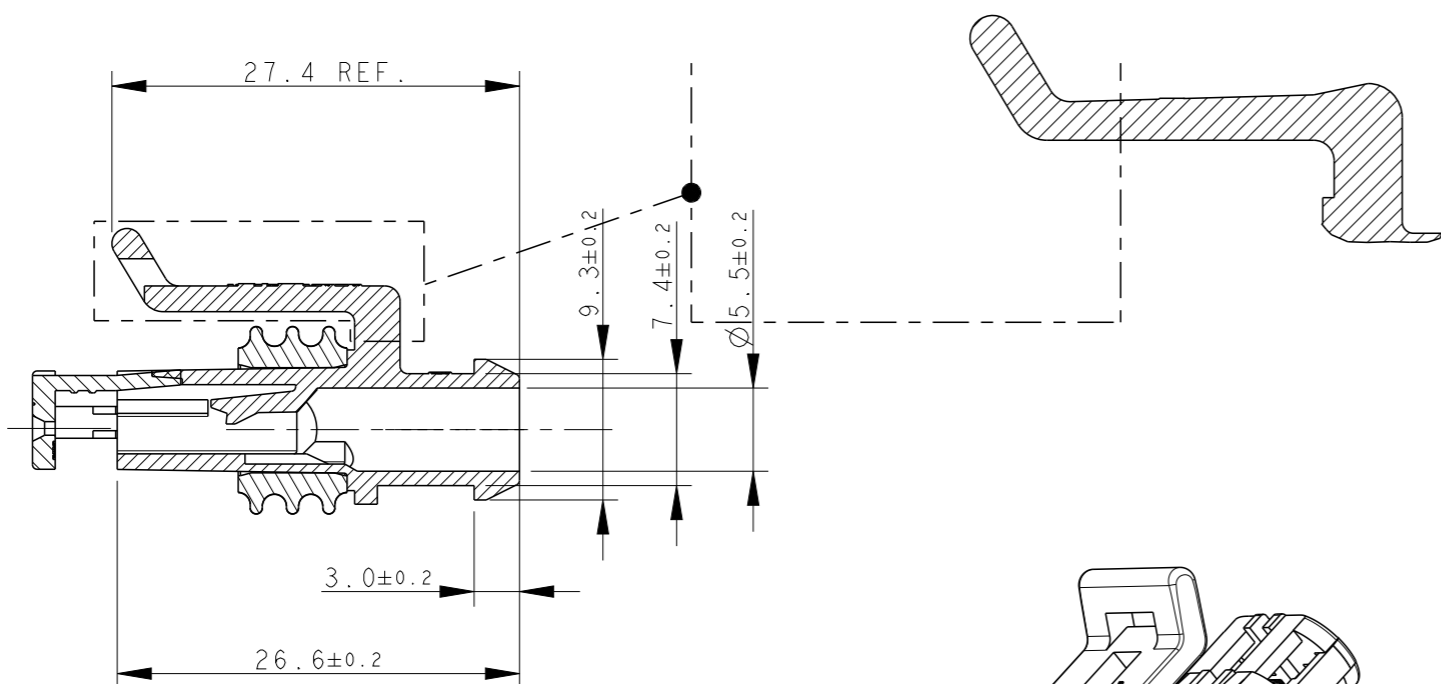


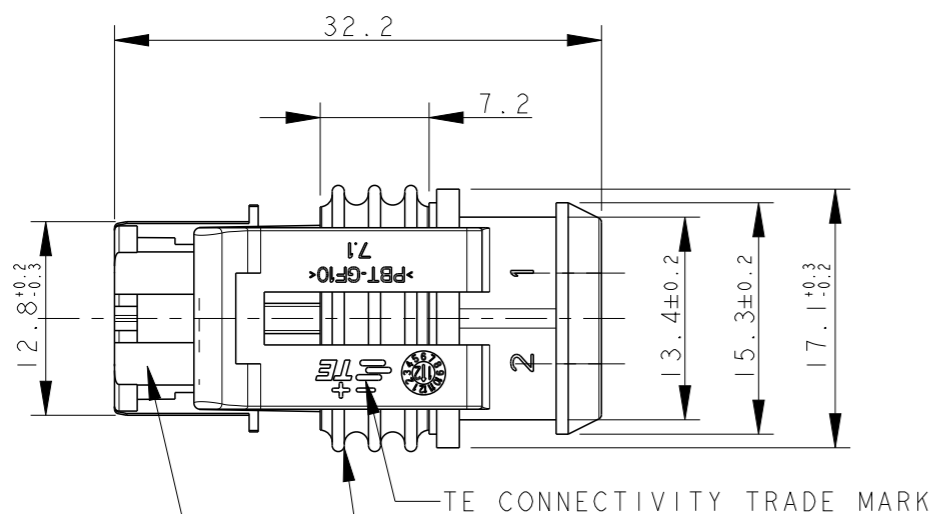
REVISIONS

P	LTR	DESCRIPTION	DATE	DWN	APVD
	A	INITIAL RELEASE	25NOV2022	N.S	J.Z

ALTERNATIVE DESIGN OF LOCKING LANCE



1) FOR COUNTERPART DETAILS, SEE SHEET 2 OF 2



TE CONNECTIVITY TRADE MARK

SEALING (COLOUR YELLOW FOR LSR VERSION) (COLOUR WHITE FOR FSL VERSION)

PRE-ASSEMBLED SECONDARY LOCK (COLOUR RED)

BROWN	HOUSING+SEC .LOCK:PBT-GF SEALING: LSR	2356871-4
GREEN		2356871-3
GRAY		2356871-2
BLACK		2356871-1
FINISH/COLOR	MATERIAL	PART NUMBER

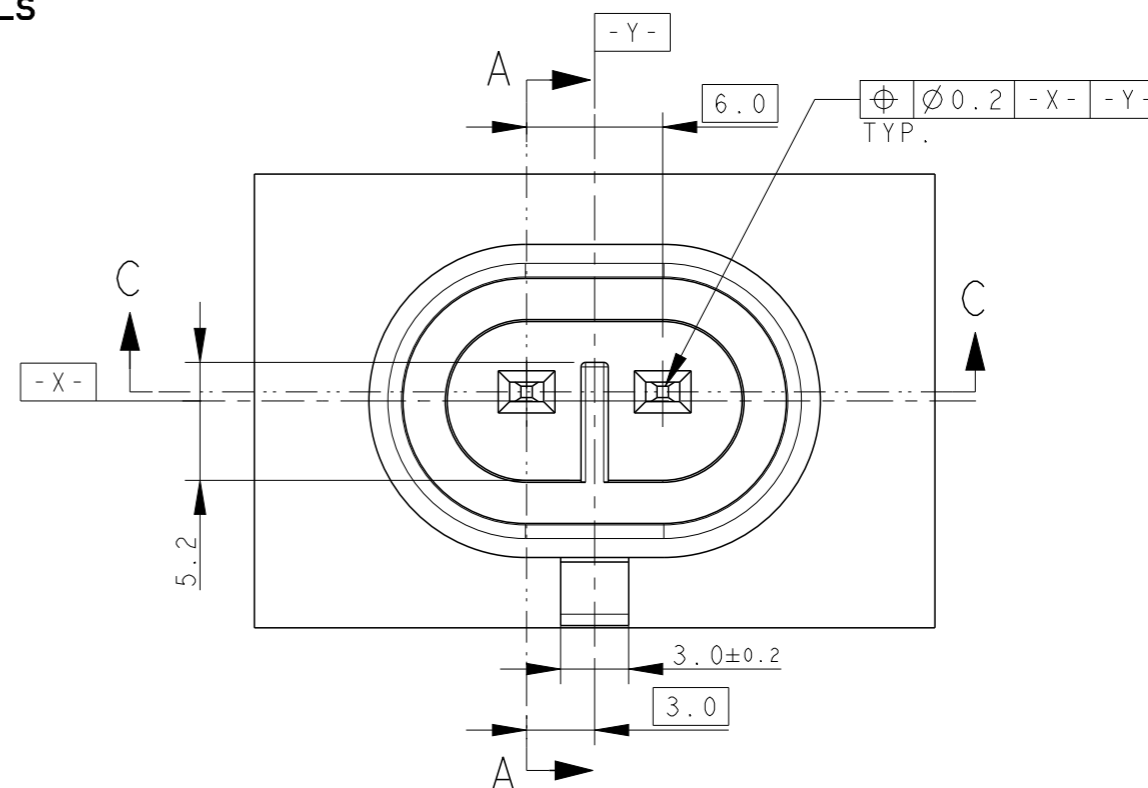
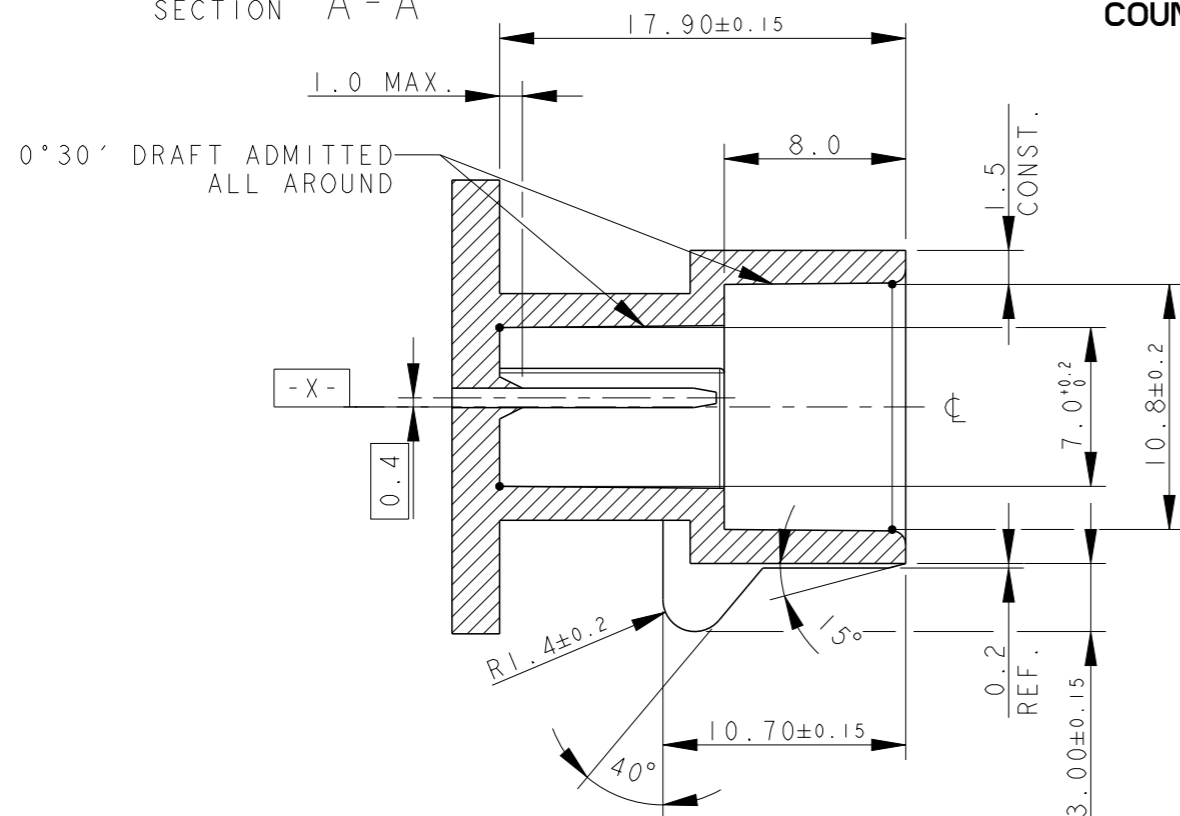
THIS DRAWING IS A CONTROLLED DOCUMENT.		DWN N. SONG	25NOV2022		
DIMENSIONS: mm		CHK S. FAN	25NOV2022		
TOLERANCES UNLESS OTHERWISE SPECIFIED:		APVD J. ZONG	25NOV2022		
0 PLC ±- 1 PLC ±0.3 2 PLC ±- 3 PLC ±- 4 PLC ±- ANGLES ±2°		PRODUCT SPEC 108-160794	APPLICATION SPEC 412-20000		
MATERIAL SEE TABLE		FINISH SEE TABLE		NAME AMP SUPERSEAL 1.5 SRS. 2 POSITIONS PLUG ASSY	
		WEIGHT 2.60gr	SIZE A3	CAGE CODE 00779	DRAWING NO C-2356871
		CUSTOMER DRAWING		RESTRICTED TO -	SCALE 2:1
				SHEET 1	OF 2
				REV A	

REVISIONS

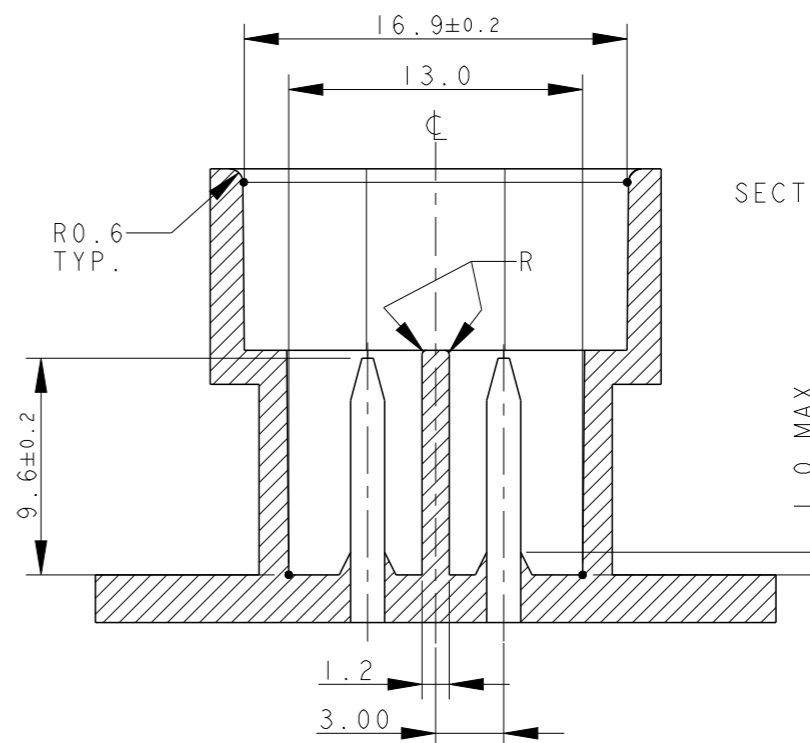
P	LTR	DESCRIPTION	DATE	DWN	APVD
-	-	SEE SHEET 1	-	-	-

SECTION A - A

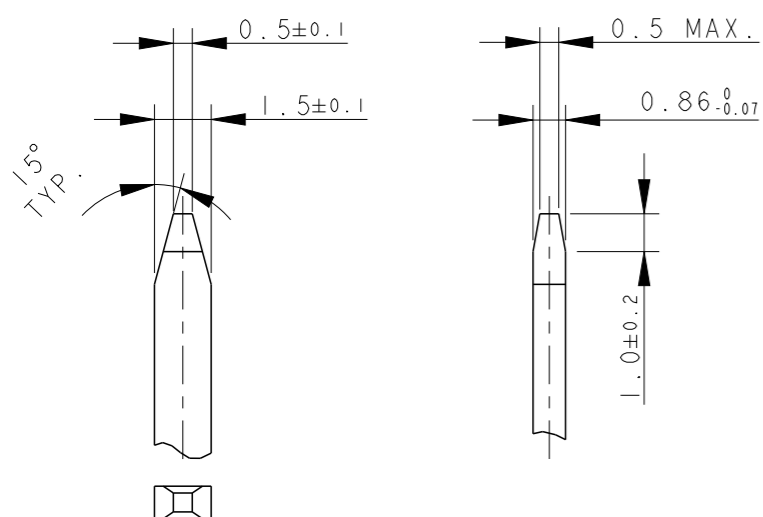
COUNTERPART DETAILS



SECTION C - C



TAB DETAILS



MATERIALS: PA66-GF FOR HOUSING
TIN PLATED BRASS FOR TABS

THIS DRAWING IS A CONTROLLED DOCUMENT.

DWN N. SONG 25NOV2022

CHK S. FAN 25NOV2022

APVD J. ZONG 25NOV2022

PRODUCT SPEC 108-160794

APPLICATION SPEC 412-20000

WEIGHT 2.60gr

CUSTOMER DRAWING

STE TE Connectivity

NAME AMP SUPERSEAL 1.5 SRS.
2 POSITIONS PLUG ASSY

SIZE A3 CAGE CODE 00779 DRAWING NO. C-2356871 RESTRICTED TO -

SCALE 5:1 SHEET 2 OF 2 REV A

DIMENSIONS:	TOLERANCES UNLESS OTHERWISE SPECIFIED:
mm	
0 PLC	±0.3
1 PLC	±0.1
2 PLC	±0.05
3 PLC	±
4 PLC	±
ANGLES	±2°

MATERIAL	FINISH