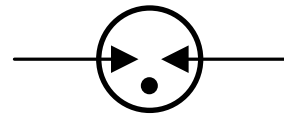


Features

- Stable breakdown voltage
- High insulation resistance
- High current rating
- Low capacitance ($\leq 0.8\text{pF}$)
- Stable performance over life
- Large absorbing transient current capability
- Fast response time
- RoHS compliant
- Standard Size: 4.2mm*4.0mm
- Meets MSL level 1, per J-STD-020
- Storage and operating temperature: $-40^{\circ}\text{C} \sim +90^{\circ}\text{C}$

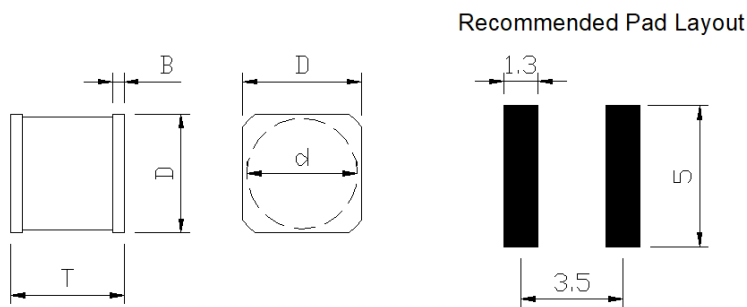
GDT Graphical Symbol



Applications

- Repeaters, Modems
- Subscriber protection
- Telephone Interface, Line cards
- Data communication equipment
- Line test equipment
- Branch exchange
- Subscriber protection
- Alarm system
- Tuner
- Antenna protection

Dimensions



Symbol	Dimensions(mm)
D	4.2±0.3
T	4.0±0.2
B	0.4±0.1
d	3.9±0.1

Electrical Characteristics (T_A=25°C)

Part Number	DC Spark-over Voltage	Maximum Impulse Spark-over Voltage	Nominal Impulse Discharge Current	Alternating Discharge Current	Impulse Life	Minimum Insulation Resistance		Maximum Capacitance
	100V/s	1000V/μs	8/20μs, 10 times	50Hz, 1sec	8/20μs, 100A	Test Voltage	GΩ	1MHz
2RK075M-4	75V±20%	700V	3KA	3A	300 times	25VDC	1	0.8pF
2RK090M-4	90V±20%	700V	3KA	3A	300 times	50VDC	1	0.8pF
2RK230M-4	230V±20%	700V	3KA	3A	300 times	100VDC	1	0.8pF
2RK250M-4	250V±20%	700V	3KA	3A	300 times	100VDC	1	0.8pF
2RK300M-4	300V±20%	800V	3KA	3A	300 times	100VDC	1	0.8pF
2RK350M-4	350V±20%	850V	3KA	3A	300 times	100VDC	1	0.8pF
2RK400M-4	400V±20%	900V	3KA	3A	300 times	100VDC	1	0.8pF
2RK470M-4	470V±20%	1000V	3KA	3A	300 times	250VDC	1	0.8pF
2RK600M-4	600V±20%	1200V	3KA	3A	300 times	250VDC	1	0.8pF
2RK800M-4	800V±20%	1400V	3KA	3A	300 times	250VDC	1	0.8pF

Test Methods and Results

Items	Test Method	Standard
DC Spark-over Voltage	measured with voltage ramp $dv/dt=100V/s$.	To meet the specified value
Maximum Impulse Spark-over Voltage	measured with voltage ramp $dv/dt=1000V/\mu s$.	
Impulse Discharge Current	applied between two electrodes, 5 positive and 5 negative surges, with 3 minutes interval time,	
Alternating Discharge Current	Rated RMS value of AC current at 50Hz, 1 sec. for 10 times with interval time 3 min.	
Insulation Resistance	measured between two electrodes.	
Capacitance	measured between two electrodes. Test frequency: 1MHz	

Soldering Parameters

