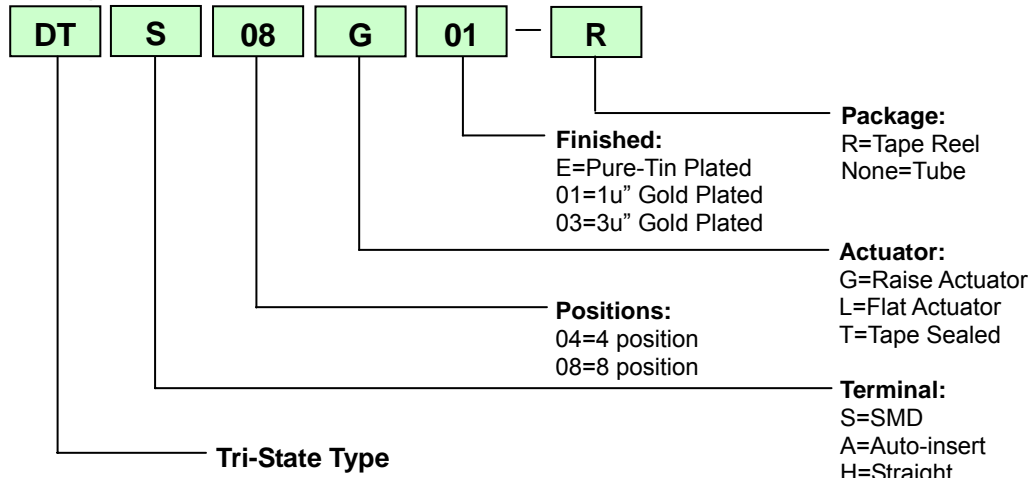


Ordering Information:



Pure-Tin plated allow customer special order only

Specifications

◆ Contact Rating	Switching.....	25mA, 24VDC
	Non-Switching.....	100mA, 50VDC
◆ Contact Resistance	Initial.....	50mΩ Max.
	After Life Test.....	100mΩ Max.
◆ Insulation Resistance	100MΩ Min. at 500VDC
◆ Dielectric Strength	500VDC / 1 minute
◆ Operation Force	1,000g max
◆ Travel :	0.9mm
◆ Mechanical Life	5,000 cycles (Min.)
◆ Electrical Life	2,000 cycles / 25mA, 24VDC
◆ Operation Temperature	-40°C ~ +85°C
◆ Storage Temperature	-40°C ~ +85°C

MODEL	SPECIFICATION RoHS Compliant DIP SWITCH	SP-002	Page
DT series Tri-State Type			2/9

Soldering Information

◆ **Hand Soldering**

Soldering iron 30W or under at 350°C for 3 sec max or at 270°C for 5 sec max.

◆ **Reflow Soldering**

(1) Gold-plated series available 2~3 times process

(2) Tin-plated series available 1 time process

(3) Vapor Phase Heating (VPH) switch must with Tape sealed type

◆ **Wave Soldering**

For lead free wave solder simulation of typical components, the solder bath temperature

Shall be maintained to 275°C.

The hold time in the solder shall be 10 +2/-0 seconds.

◆ **Keep all actuators in "OFF" position during soldering and cleaning process.**

Classification Reflow Profiles

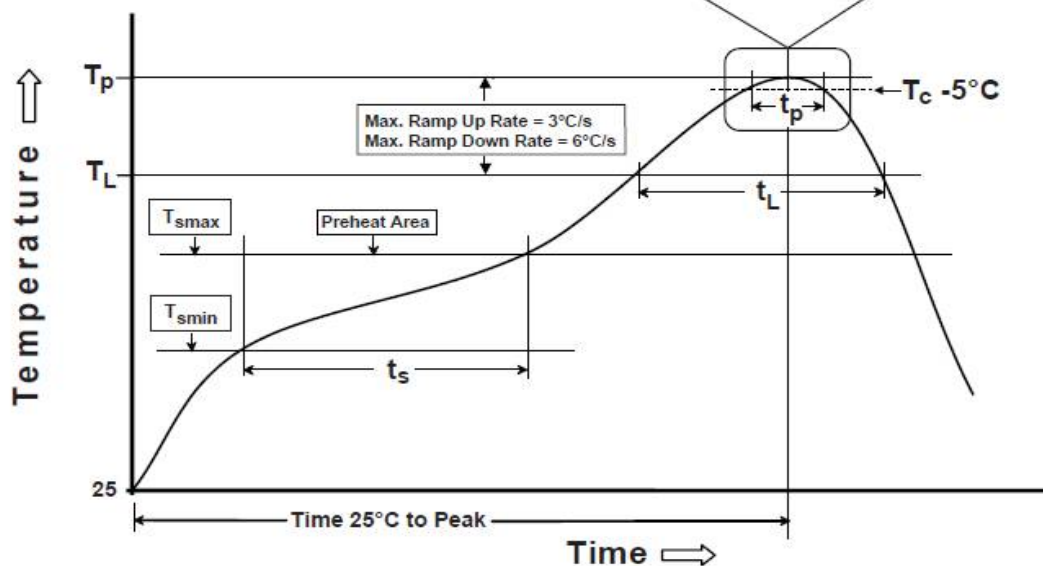
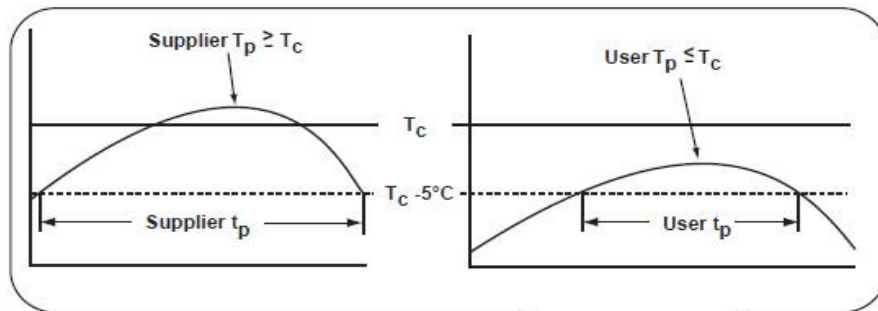
Profile Feature	Pb-Free Assembly
Preheat / Soak	
Temperature Min (T_{smin})	150°C
Temperature Max (T_{smax})	200°C
Time(ts) from (T_{smin} to T_{smax})	60 ~120 seconds
Ramp-up Rate (T_L to T_p)	3°C/second max
Liquidous temperature (T_L)	217°C
Time (t_L) maintained above to T_L	60 ~ 150 seconds
Peak package body temperature (T_p)	For users T_p must not exceed the Classification temp:260°C (Package Thickness:1.6~2.5mm) For suppliers T_p must equal or exceed the Classification temp:260°C (Package Thickness:1.6~2.5mm)
Time (t_p) within 5°C of specified classification Temperature (T_c)	30 seconds
Ramp-Down Rate (T_p to T_L)	6°C/second max
Time 25°C to Peak Temperature	8 minutes max
*Tolerance for peak profile temperature(T_p) is defined as a supplier minimum and a user maximum	

Note 1: All temperatures refer to topside of the package, measured on the package body surface.

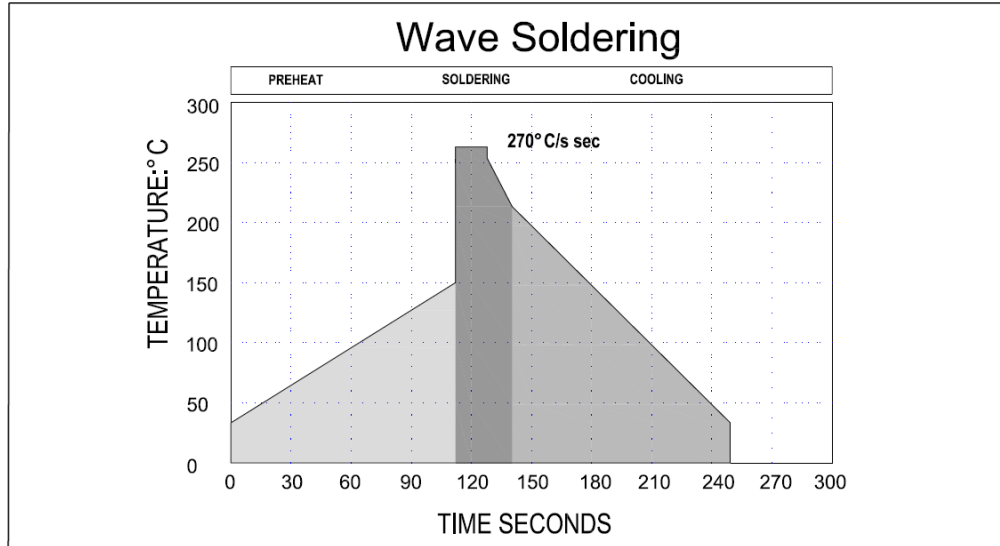
Note 2: Time within 5 °C of actual peak temperature (t_p) specified for the reflow profiles is a “supplier” minimum and “user” maximum.

The table copy from IPC/JEDEC J-STD-020 D.1

Reflow Soldering Standard Conditions



Classification Wave Soldering Profiles



Maximum dwell time in the solder wave (270°C) shall not exceed 5 seconds.

Switch Operation and Taping

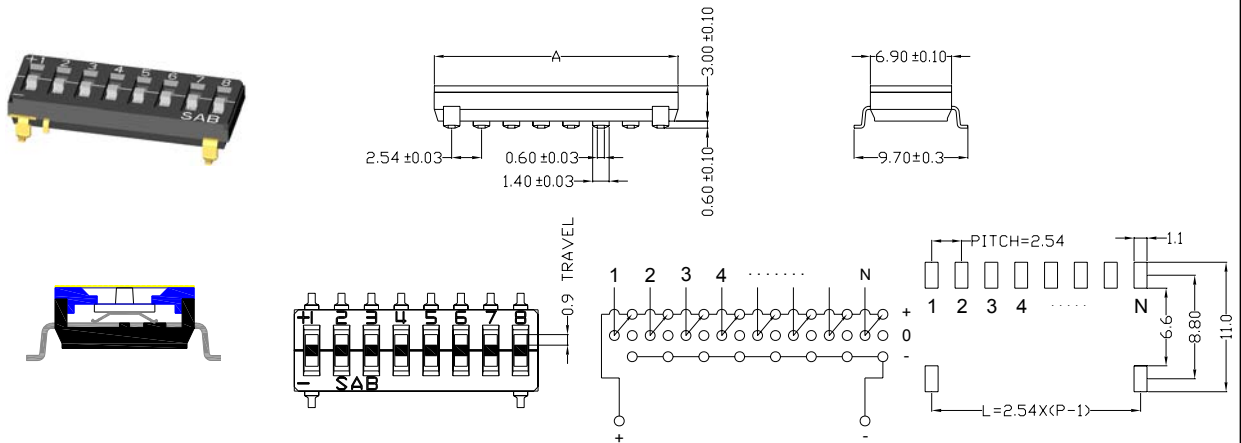
- (1) Use tweezers or ball-point pen for operation.
- (2) Flux cleaning should be done without removing the Tape.
- (3) If the tape is removed, it adheres less than before when it is placed back on, possibly causing flux inflow
- (4) Do Not Remove Tape sealed before Reflow processing
- (5) Ultrasonic cleaning not re-commended.

- ⊗ All switches must set in OFF position when through Soldering process.
- ⊗ Any flux enters the switch may influence contact function.

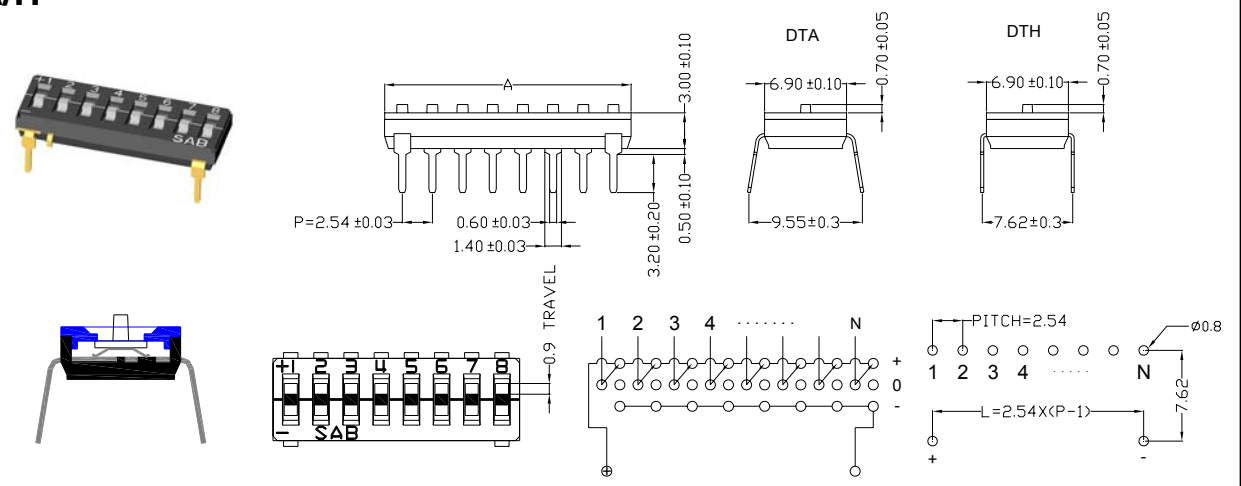
Materials:

- ◆ CoverPPS (UL 94V-0), Black
- ◆ BasePPS (UL 94V-0), Black
- ◆ Actuator DTS.....PA46 (UL 94V-0), White
DTA/H.....PA66 (UL 94V-0), White
- ◆ Terminal ContactGold Plated / Pure-Tin Plated
- ◆ Movable ContactGold Plated / Pure-Tin Plated
- ◆ Terminal40u" +/-10u" Nickel Cover (Pure) Tin-Plated
.....40u" +/-10u" Nickel Cover 1u" Gold-Plated
.....40u" +/-10u" Nickel Cover 3u" Gold-Plated
- ◆ TapePolyimide Film

DTS



DTA/H



MODEL	SPECIFICATION RoHS Compliant DIP SWITCH	SP-006	Page
DT series Tri-State Type			6/9

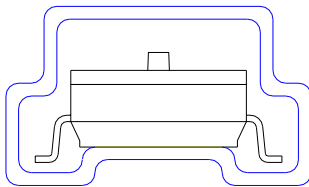
Part Number Table:

No. Pos.	Dim. "A"	Auto Insert Pure-Tin Lead Raise Actuator Tube Package	Auto Insert 1u" Gold Lead Raise Actuator Tube Package	SMD 3u" Gold Lead Tape Sealed Tube Package
4	10.60	DTA04GE	DTA04G01	DTS04T03
6	15.68	DTA06GE	DTA06G01	DTS06T03
7	18.22	DTA07GE	DTA07G01	DTS07T03
8	20.76	DTA08GE	DTA08G01	DTS08T03
9	23.30	DTA09GE	DTA09G01	DTS09T03
10	25.84	DTA10GE	DTA10G01	DTS10T03
12	30.92	DTA12GE	DTA12G01	DTS12T03

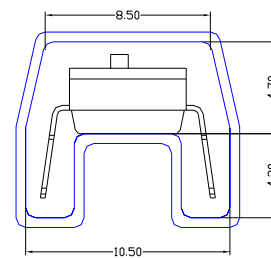
Tube Package:

POLE	4	7	8	9	10	12
TUBE	48	28	25	22	20	17
BOX	4800	2800	2500	2200	2000	1700
CTN 1	9600	5600	5000	4400	4000	3400
CTN 2	19200	11200	10000	8800	8000	6800

DTS



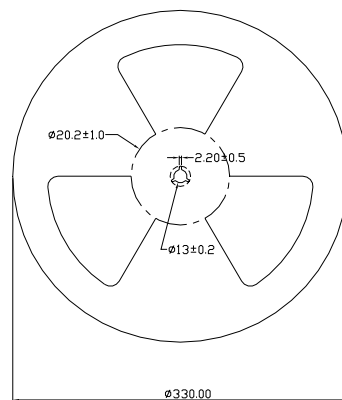
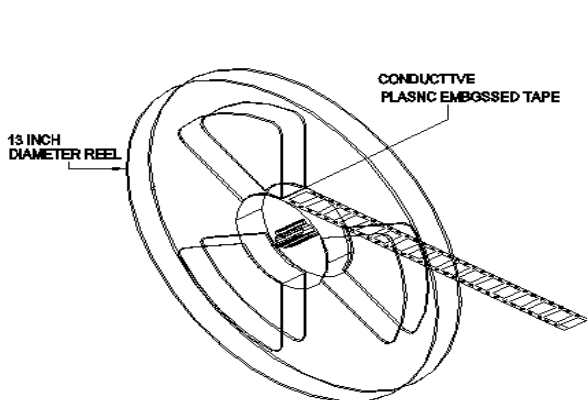
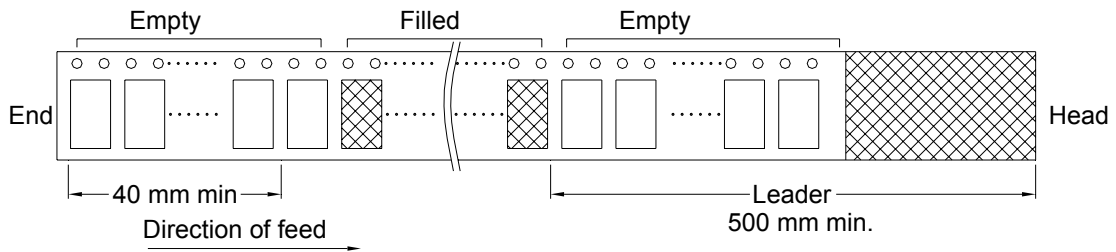
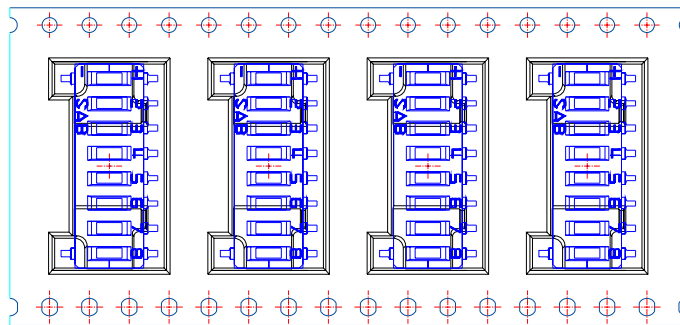
DTA/H



Tape & Reel package

◆ DTA/H/S

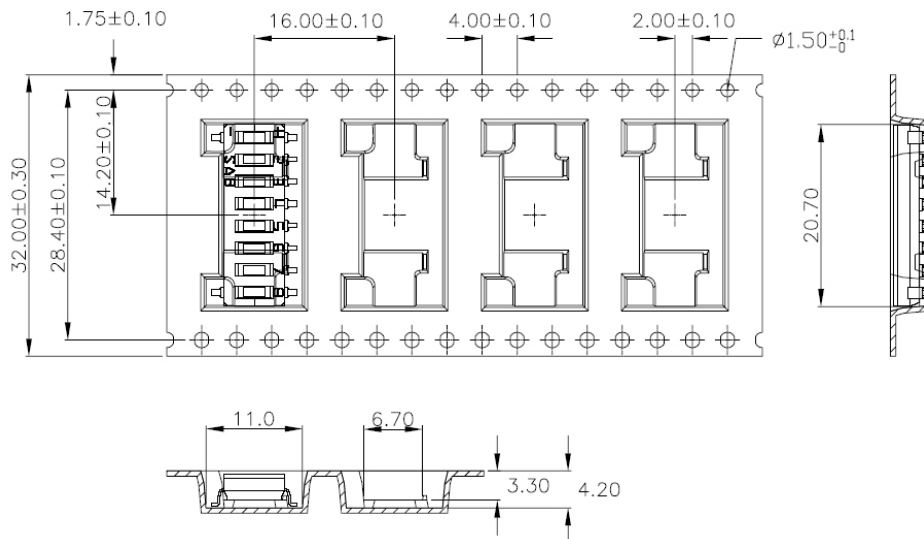
POLE	04	07	08	09	10	12
Pitch (mm)	16	16	16	16	16	16
Width (mm)	24	32	32	44	44	44
REEL	800	800	800	800	800	800



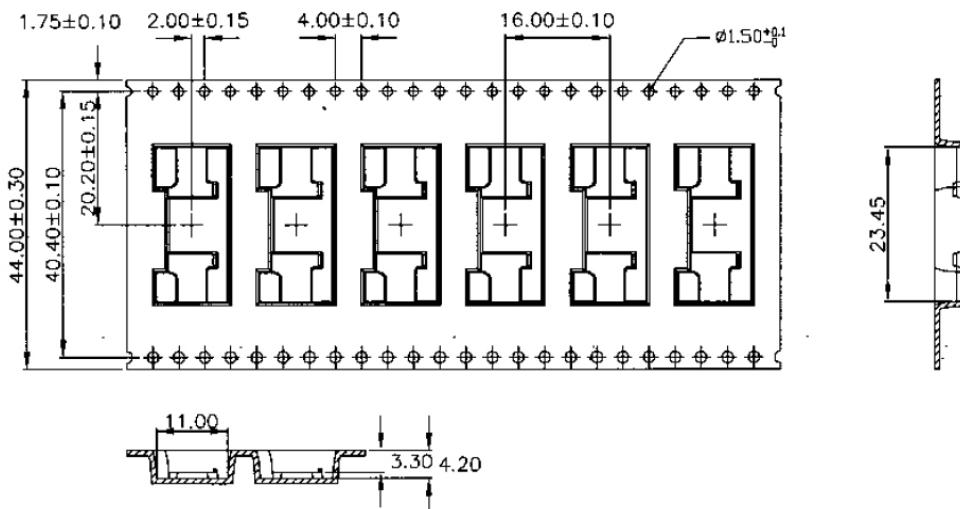
Carry Table:

P/N.	Pitch(mm)	Thickness(mm)	Width (mm)	Sellotape(mm)	@REEL/BOX	Q'ty/Reel
DTS04	16	0.35	24	21.3	4	800
DTS06	16	0.35	24	21.3		800
DTS07	16	0.35	32	25.5	3	800
DTS08	16	0.35	32	25.5		800
DTS09	16	0.4	44	37.5	2	800
DTS10	16	0.4	44	37.5		800
DTS12	16	0.4	44	37.5		800

32mm



44mm



MODEL	SPECIFICATION RoHS Compliant DIP SWITCH	SP-009	Page
DT series Tri-State Type			9/9

Box Dimension:

- ◆ Tube.....56cm × 12cm × 12cm
- ◆ Tape & Reel.....34cm x 12cm x 33cm

Carton Dimension:

- ◆ Tube
 - CTN 1 / 2 Boxes.....58.5cm x 26.5cm x 16cm
 - CTN 2 / 4 Boxes.....58.5cm x 26.5cm x 24cm
- ◆ Tape & Reel.....34cm x 26cm x 35cm