

1 2 3 4 5 6 7 8 9

F

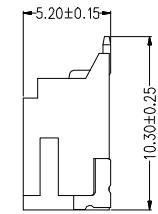
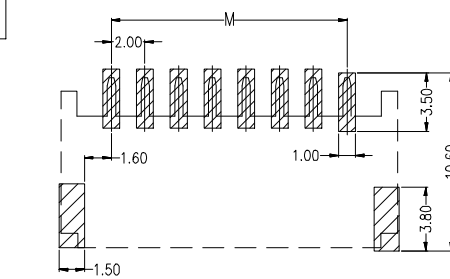
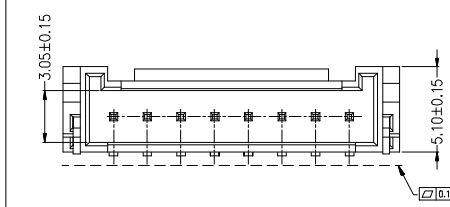
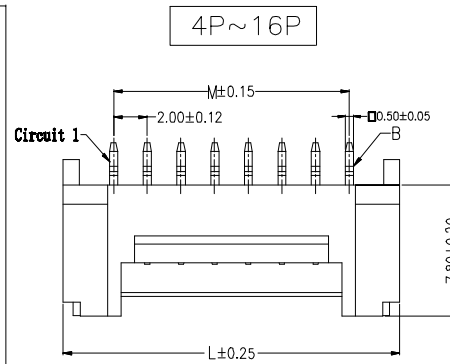
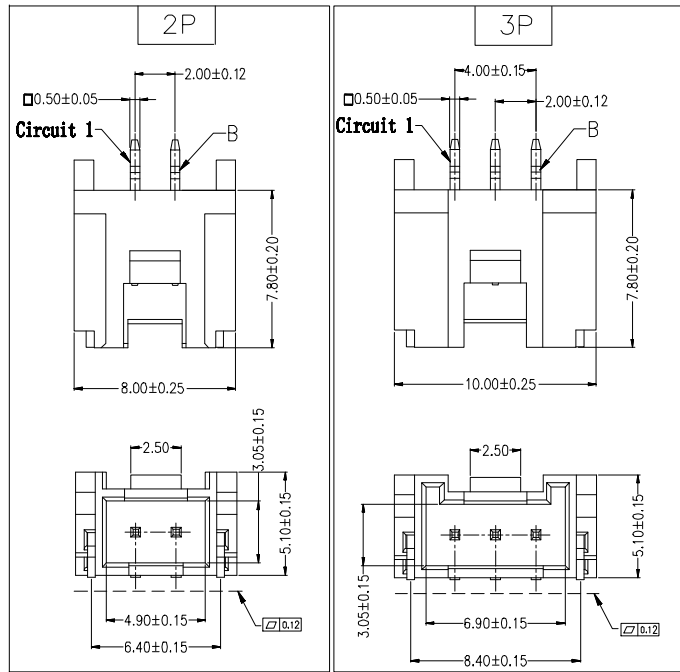
E

D

C

B

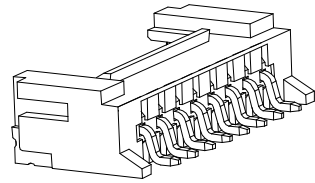
A



NOTES:
 CURRENT RATING:3A AC/DC.
 VOLTAGE RATING:250V AC/DC
 TEMPERATURE RANGE:-40°C~+105°C.
 CONTACT RESISTANCE:30mΩ Max.
 INSULATION RESISTANCE:1000MΩ Min.
 WITHSTANDING VOLTAGE: 1000V AC/MINUTE.

Materials
 Contact Material:Brass
 Insulator Material: LCP UL 94V-0

No. of Pin/Row	Dimensions(mm)	
	L	M
02	8.00	2.00
03	10.00	4.00
04	12.00	6.00
05	14.00	8.00
06	16.00	10.00
07	18.00	12.00
08	20.00	14.00
09	22.00	16.00
10	24.00	18.00
11	26.00	20.00
12	28.00	22.00
13	30.00	24.00
14	32.00	26.00
15	34.00	28.00
16	36.00	30.00



P.C.B LAYOUT

Ordering Information

G WFD111-XX XX A 002 C X B X

No. of Pins per Row: 02~16
 Standard Plating: 01=Tin, Selective Plating: 02=Gold Flash, 22=Matte Tin
 Color: 1=Black, 2=White
 Standard Packing: D=Tape&Reel,



Website:www.greenconn.com
 E-mail:sales@greenconn.com

REV. A UNIT. mm SCALE. 1:1

3RD.ANG PROJ.
 PAGE. 1/1

GENERAL TOLERANCE	
X'±3.0'	X.±/
.X'±2.0'	.X±0.30
.XX'±1.5'	.XX±0.25
.XXX'±1.0'	.XXX±0.15

DESIGNED: / DATE: /
 CHECKED: / DATE: /
 APPROVED: / DATE: /

DWG. NO. GWFD111-CA002
 PART NO. GWFD111-XXXXA002CXBX

TITLE. 2.00mm Pitch SMT Wafer

1 2 3 4 5 6 7 8 9