

1 2 3 4 5 6 7 8 9

F

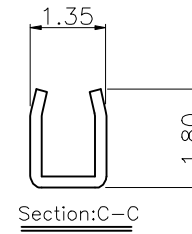
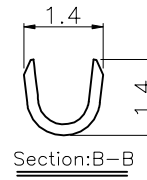
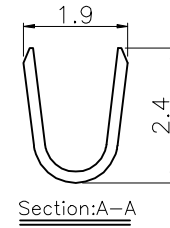
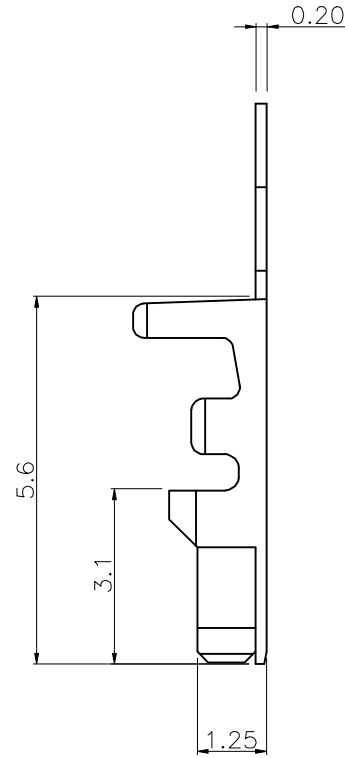
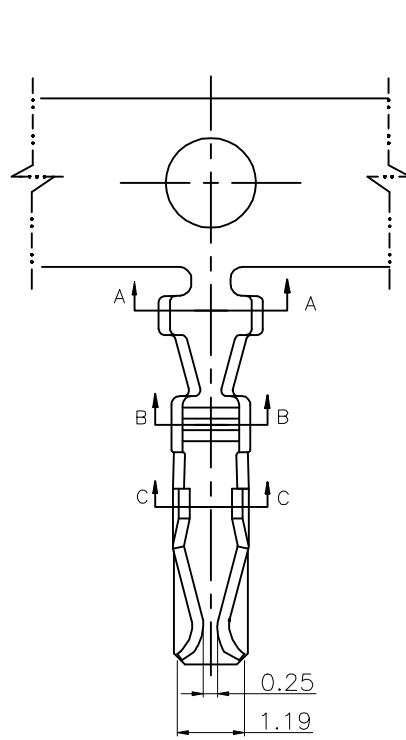
E

D

C

B

A



### Ordering Information

GRF134 - 01 XX XX



格稜股份有限公司  
**Greennonn Corporation**

**GENERAL TOLERANCE**

X:±/	X.±/
.X'±/	.X±0.30
.XX'±/	.XX±0.20
.XXX'±/	.XXX±0.10

DESIGN:	DATE:
CHECKED:	DATE:
AUDITED:	DATE:

DWG. NO. GRF134-T1
PART NO. GRF134-01 XX XX

TITLE. 2.00mm Pitch terminal
---------------------------------

REV. B	UNIT. mm	SCALE. 1:1	PAGE. 1/1	
-----------	-------------	---------------	--------------	--

1 2 3 4 5 6 7 8 9