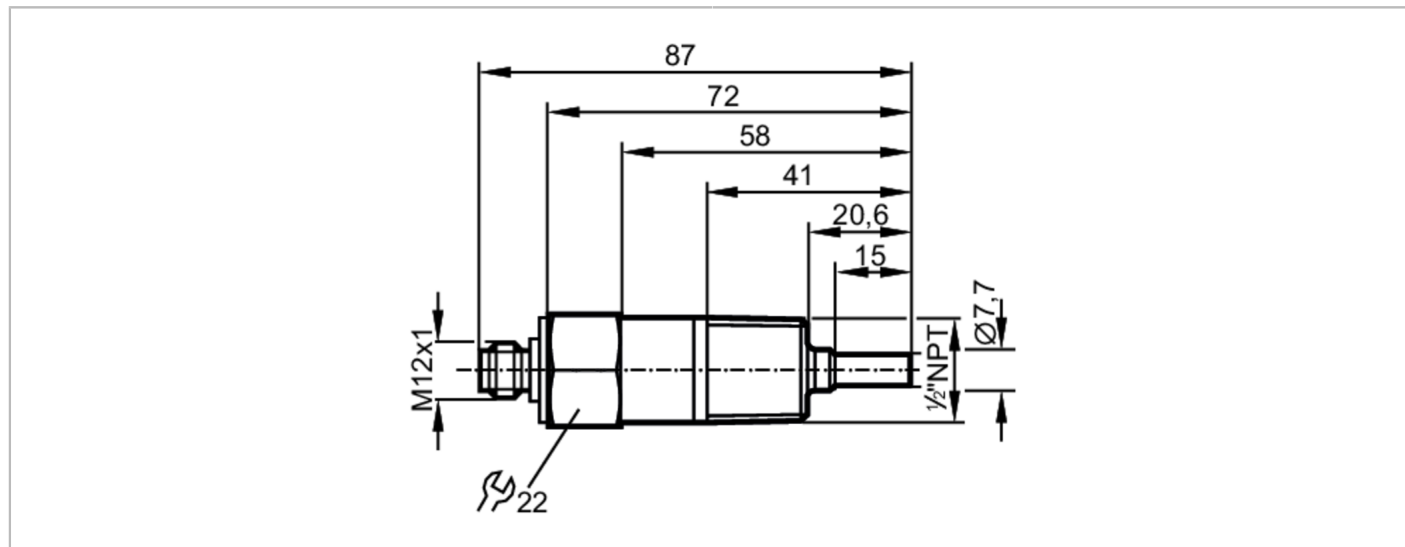


SC0501



Flow monitor

SCN12FFBBBOA



Product characteristics

Number of inputs and outputs	Number of digital outputs: 1
Process connection	1/2" NPT

Application

Media	water
Medium temperature [°C]	-10...60; (In case of medium temperatures < 4 °C the data refer to water / glycol (40 % glycol).)
Pressure rating [bar]	25
MAWP (for applications according to CRN) [bar]	25

Electrical data

Operating voltage tolerance [%]	-15...15
Operating voltage [V]	< 24 AC / 24 DC; (to SELV/PELV)
Current consumption [mA]	< 50
Protection class	III
Reverse polarity protection	yes
Power-on delay time [s]	15

Inputs / outputs

Number of inputs and outputs	Number of digital outputs: 1
------------------------------	------------------------------

SC0501



Flow monitor

SCN12FFBBOA

Outputs		
Total number of outputs		1
Output signal		switching signal
Electrical design		PNP
Number of digital outputs		1
Output function		normally open
Max. voltage drop switching output DC	[V]	0.8
Permanent current rating of switching output DC	[mA]	80
Short-circuit protection		no
Overload protection		no
Measuring/setting range		
Note on factory setting		for water (20 °C) and mounting in 4" pipe
Set point SP	[cm/s]	15
Note on switch point		fixed
Switch point adjustable		no
Reaction times		
Response time	[s]	1...10
Operating conditions		
Ambient temperature	[°C]	-20...70
Storage temperature	[°C]	-40...70
Protection		IP 67
Tests / approvals		
EMC	DIN EN 61000-6-2	
	DIN EN 61000-6-3	
Shock resistance	DIN EN 60068-2-27	50 g (11 ms)
Vibration resistance	DIN EN 60068-2-6	20 g (10...2000 Hz)
Mechanical data		
Weight	[g]	125.75
Material		stainless steel (1.4404 / 316L)
Materials (wetted parts)		stainless steel (1.4404 / 316L)
Process connection		1/2" NPT
Electrical connection		
Required protection		miniature fuse to IEC60127-2 sheet 1; ≤ 2 A; fast acting
Remarks		
Pack quantity		1 pcs.
Electrical connection		
Connector: 1 x M12; coding: A; Maximum cable length: 10 m		

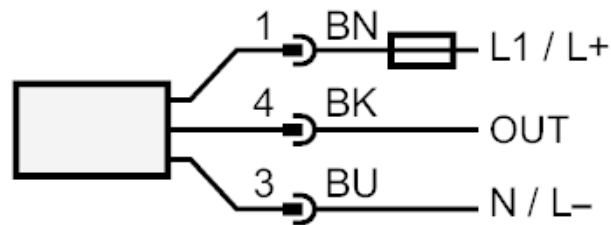
SC0501

Flow monitor

SCN12FFBBBOA



Connection



OUT: Switching output

Note miniature fuse to IEC60127-2 sheet 1 \leq 2 A fast acting

Colors to DIN EN 60947-5-2

Core colors :

BK = black
BN = brown
BU = blue