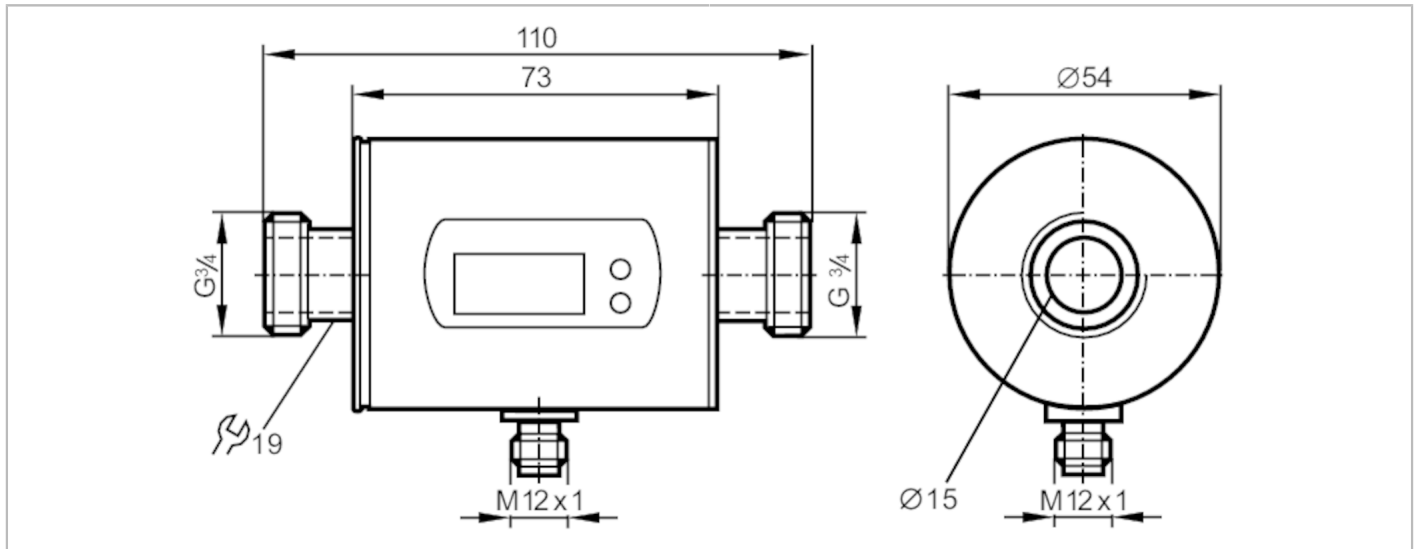


SM7004



Magnetic-inductive flow meter

SMR34GGX50KG/US100



Product characteristics

Number of inputs and outputs	Number of analogue outputs: 2	
Measuring range	0.2...50 l/min	0.02...13.22 gpm
Process connection	threaded connection G 3/4 DN20 flat seal	

Application

Special feature	Gold-plated contacts	
Application	for industrial applications	
Installation	connection to pipe by means of an adapter	
Media	conductive liquids; water; hydrous media	
Note on media	conductivity: $\geq 20 \mu\text{S/cm}$ viscosity: $< 70 \text{ mm}^2/\text{s}$ (40 °C)	
Medium temperature	[°C]	-10...70
Pressure rating	[bar]	16
Pressure rating	[Mpa]	1.6
MAWP (for applications according to CRN)	[bar]	11.2

Electrical data

Operating voltage	[V]	20...30 DC; (to SELV/PELV)
Current consumption	[mA]	120; (24 V)
Protection class		III
Reverse polarity protection		yes
Power-on delay time	[s]	5

Inputs / outputs

Number of inputs and outputs	Number of analogue outputs: 2
------------------------------	-------------------------------

Outputs

Total number of outputs	2
Output signal	analogue signal
Number of analogue outputs	2

SM7004



Magnetic-inductive flow meter

SMR34GGX50KG/US100

Analogue current output	[mA]	4...20; (scalable)
Max. load	[Ω]	500
Overload protection		yes

Measuring/setting range

Measuring range	0.2...50 l/min	0.02...13.22 gpm
Display range	-60...60 l/min	-15.86...15.86 gpm
Resolution	0.1 l/min	0.02 gpm
Analogue start point ASP	0...40 l/min	0...10.58 gpm
Analogue end point AEP	10...50 l/min	2.64...13.22 gpm
In steps of	0.1 l/min	0.02 gpm

Temperature monitoring

Measuring range	[°C]	-20...80
Resolution	[°C]	0.2
Analogue start point	[°C]	-20...60
Analogue end point	[°C]	0...80
In steps of	[°C]	0.2

Accuracy / deviations

Flow monitoring

Accuracy (in the measuring range)		$\pm (2 \% MW + 0,5 \% MEW)$
Repeatability		$\pm 0,2\% MEW$

Temperature monitoring

Accuracy	[K]	$\pm 2,5 (Q > 1 \text{ l/min})$
----------	-----	---------------------------------

Response times

Flow monitoring

Response time	[s]	0.15; (dAP = 0, T19)
Damping process value dAP	[s]	0...3

Temperature monitoring

Dynamic response T05 / T09	[s]	T09 = 20 (Q > 1 l/min)
----------------------------	-----	------------------------

Operating conditions

Ambient temperature	[°C]	-10...60
Storage temperature	[°C]	-25...80
Protection		IP 67

Tests / approvals

EMC	DIN EN 60947-5-9	500 V withstand voltage (V DC)
CPA approval	model number	008MI
	accuracy class	-
	maximum allowable error	$\pm 2,5 \% FS$
	Q (min)	0,01 m ³ /h
	Q (t)	-
	Q (max)	3 m ³ /h
Shock resistance	DIN IEC 68-2-27	20 g (11 ms)
Vibration resistance	DIN IEC 68-2-6	5 g (10...2000 Hz)
MTTF	[years]	175
Pressure Equipment Directive		Sound engineering practice; can be used for group 2 fluids; group 1 fluids on request

SM7004



Magnetic-inductive flow meter

SMR34GGX50KG/US100

Mechanical data	
Weight [g]	521.2
Materials	stainless steel (1.4404 / 316L); PBT-GF20; PC; FKM; TPE
Materials (wetted parts)	stainless steel (1.4404 / 316L); PEEK; FKM
Process connection	threaded connection G 3/4 DN20 flat seal

Displays / operating elements		
Display	Display unit	6 x LED, green (l/min, m ³ /h, gpm, gph, °C, °F)
	measured values	alphanumeric display, 4-digit
	programming	alphanumeric display, 4-digit
Display unit	l/min; m ³ /h; gpm; gph; °C; °F	

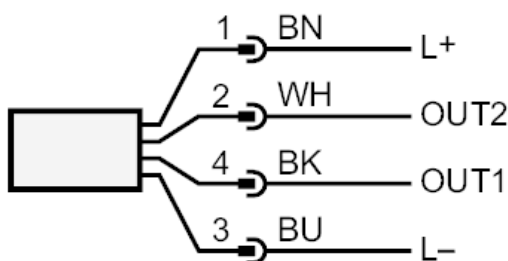
Remarks	
Remarks	MW = measured value MEW = Final value of the measuring range
Pack quantity	1 pcs.

Electrical connection

Connector: 1 x M12; coding: A; Contacts: gold-plated



Connection



colours to DIN EN 60947-5-2
 OUT1: analogue output Temperature monitoring
 OUT2: analogue output volumetric flow quantity monitoring
 Core colours :
 BK = black
 BN = brown
 BU = blue
 WH = white

SM7004

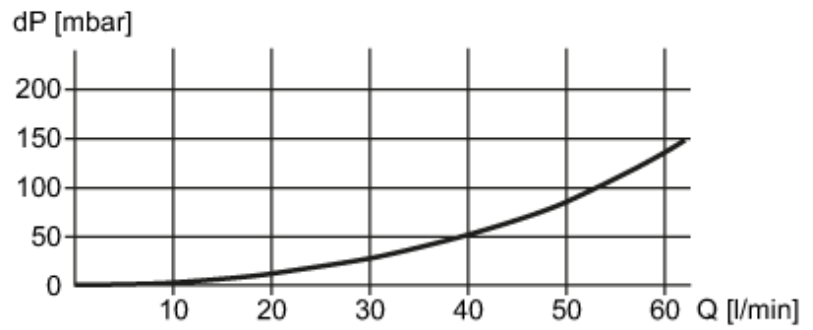


Magnetic-inductive flow meter

SMR34GGX50KG/US100

Diagrams and graphs

Pressure loss



dP Pressure loss

Q volumetric flow quantity