



# TAI-SAW TECHNOLOGY CO., LTD.

No. 3, Industrial 2nd Rd., Ping-Chen Industrial District,  
Taoyuan, 324, Taiwan, R.O.C.

TEL: 886-3-4690038 FAX: 886-3-4697532

E-mail: [tstsales@mail.taisaw.com](mailto:tstsales@mail.taisaw.com) Web: [www.taisaw.com](http://www.taisaw.com)

## Product Specifications Approval Sheet


Product Description: SAW Filter 1827.5 MHz SMD 3.0x3.0 mm (BW=45 MHz)

TST Part No.: TA1328A

Customer Part No.: \_\_\_\_\_

Customer signature required
Company: _____
Division: _____
Approved by : _____
Date: _____

Checked by: \_\_\_\_\_ David Chang 張閔智

Approved by: \_\_\_\_\_ Francis Chen 

Date: \_\_\_\_\_ 2011/03/03

1. Customer signed back is required before TST can proceed with sample build and receive orders.
2. Orders received without customer signed back will be regarded as agreement on the specifications
3. Any specifications changes must be approved upon by both parties and a new revision of specifications shall be released to reflect the changes.



# TAI-SAW TECHNOLOGY CO., LTD.

No. 3, Industrial 2nd Rd., Ping-Chen Industrial District,  
Taoyuan, 324, Taiwan, R.O.C.

TEL: 886-3-4690038 FAX: 886-3-4697532

E-mail: [tstsales@mail.taisaw.com](mailto:tstsales@mail.taisaw.com) Web: [www.taisaw.com](http://www.taisaw.com)

## SAW Filter 1827.5 MHz

MODEL NO.: TA1328A

REV. NO.:1

### A. MAXIMUM RATING:

1. Input Power Level: 10 dBm
2. DC Voltage : 3 V
3. Operating Temperature: -40°C to +85°C
4. Storage Temperature: -40°C to +85°C

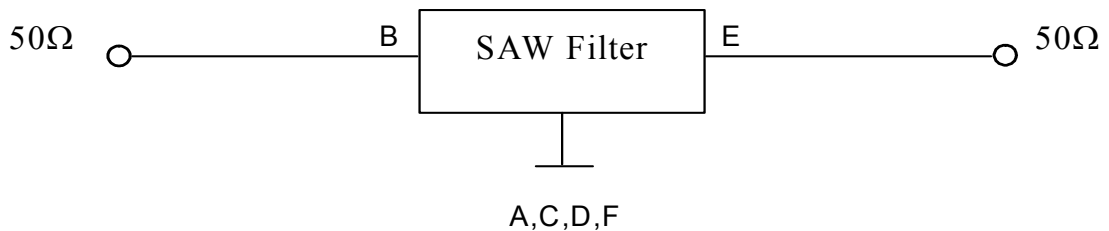
RoHS Compliant  
Lead free  
Lead-free soldering

### B. ELECTRICAL CHARACTERISTICS:

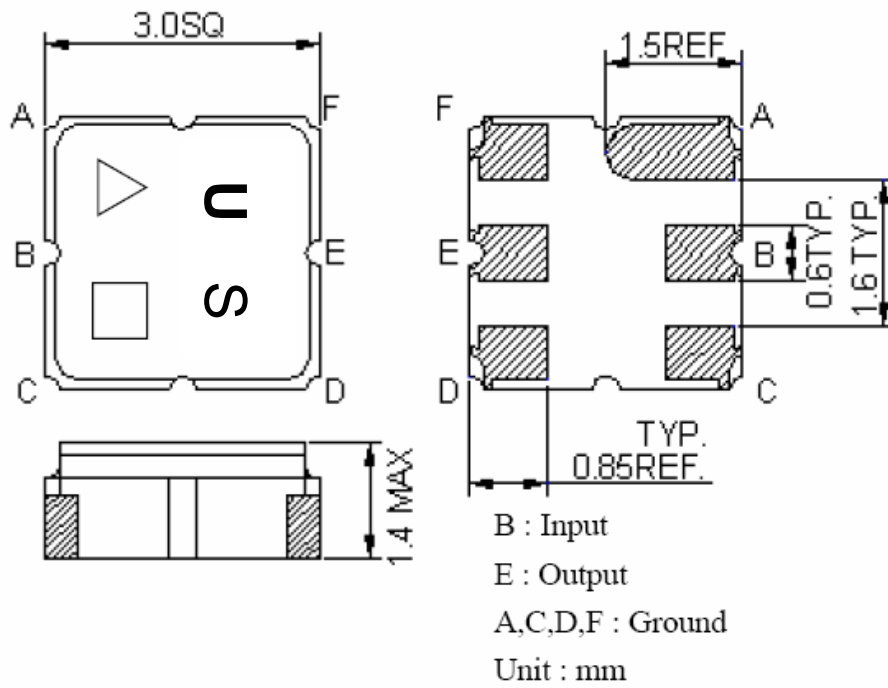
Item	Unit	Min.	Typ.	Max.	
<b>Center frequency</b>	<b>Fc</b>	MHz	-	1827.5	-
<b>Insertion Loss</b> (1805~1850 MHz)	<b>IL</b>	dB	-	2.0	3.5
<b>Amplitude Ripple</b> (1805~1850 MHz)		dB	-	0.7	2.0
<b>VSWR</b> (1805~1850 MHz)		-	-	1.5	2.5
<b>Attenuation</b> (Reference level from 0 dB)					
1627 ~ 1727 MHz		dB	25	31	-
1927 ~ 2027 MHz		dB	25	33	-

### C. MEASUREMENT CIRCUIT:

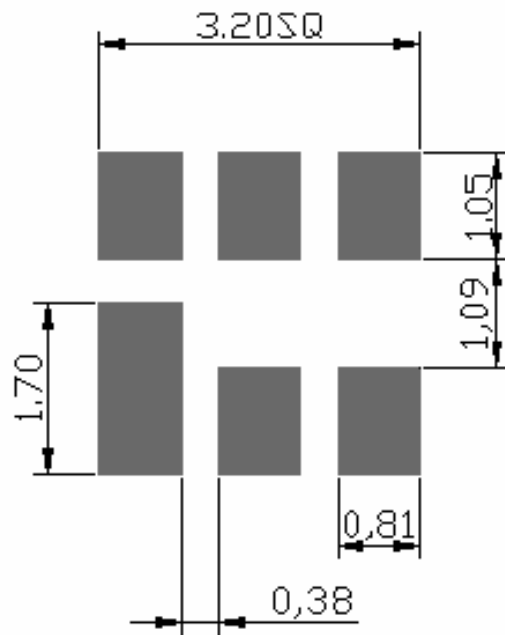
HP Network analyzer



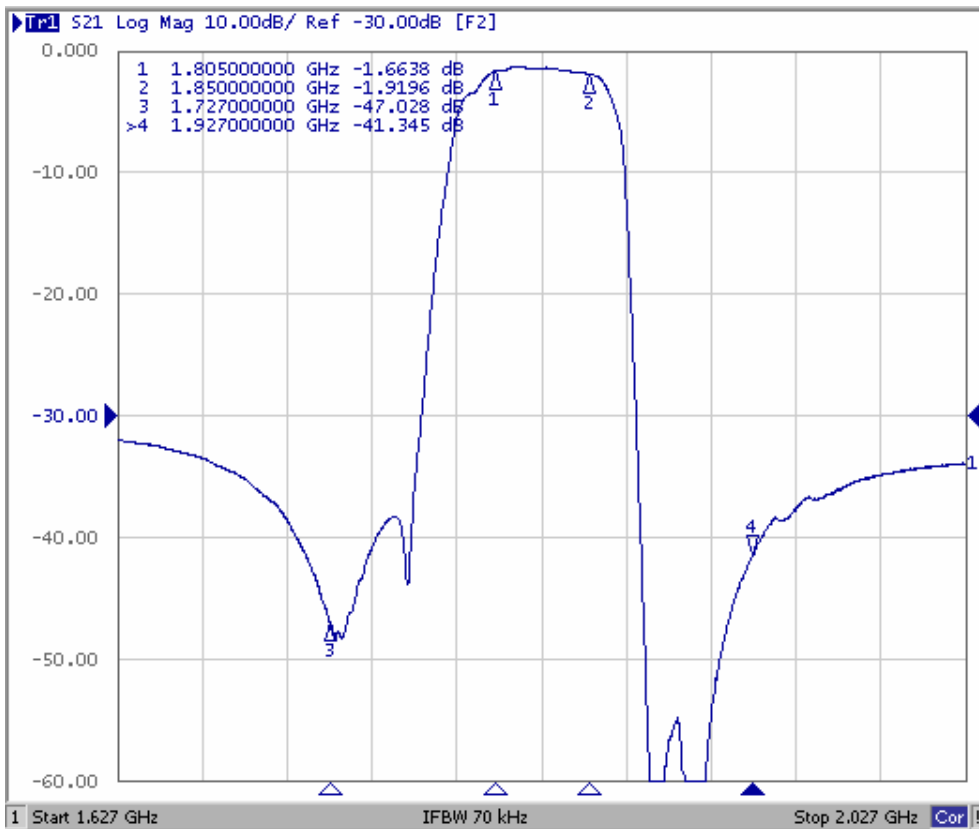
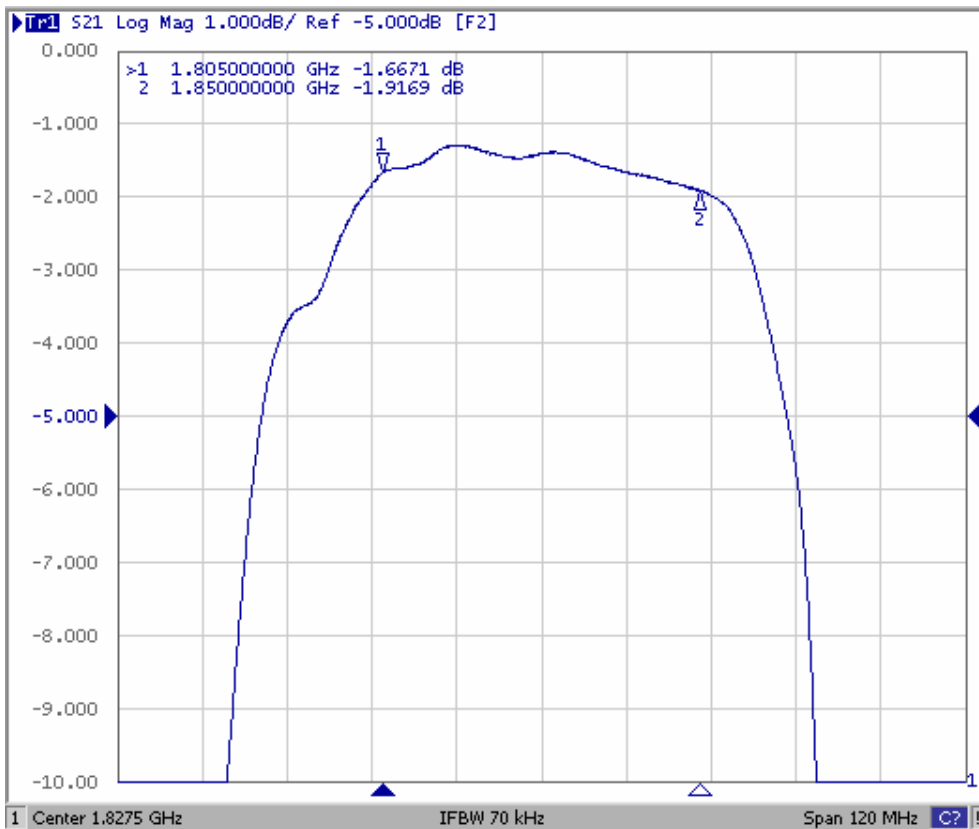
**D. OUTLINE DRAWING:**



**E. PCB Footprint:**

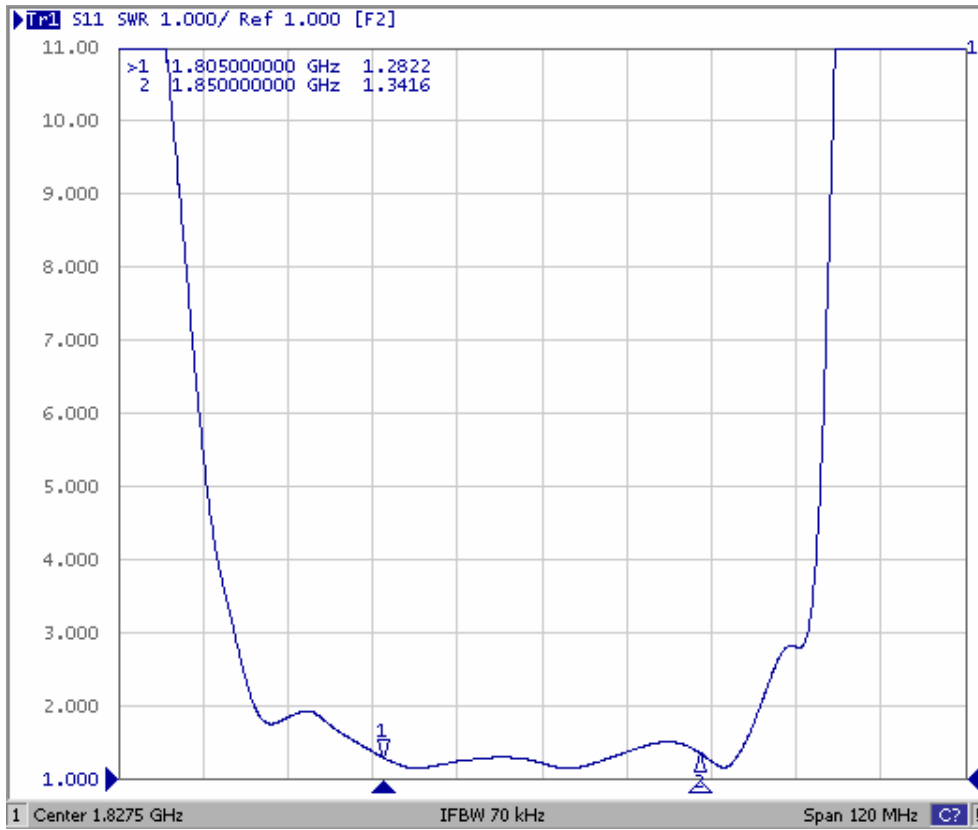


## F. Frequency Characteristics:

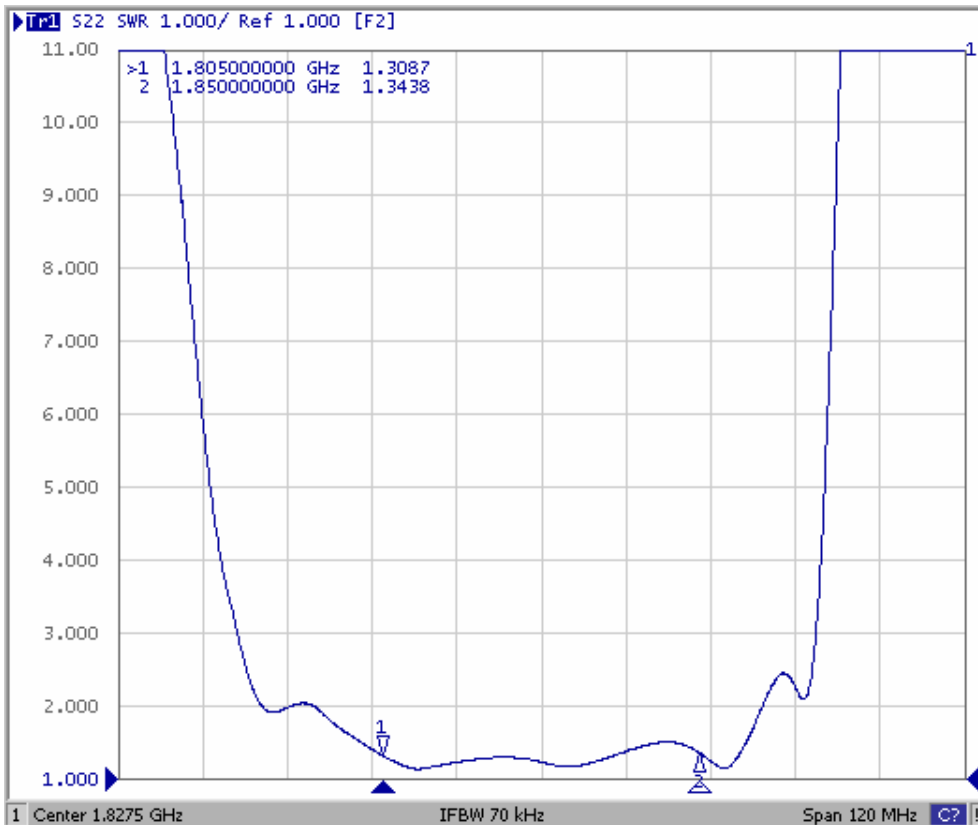


# Reflection Functions:

## S11

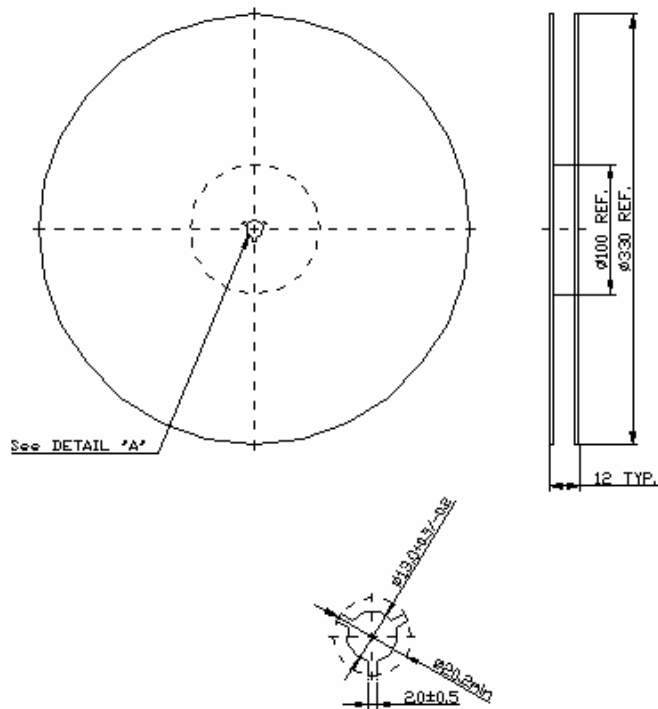


## S22

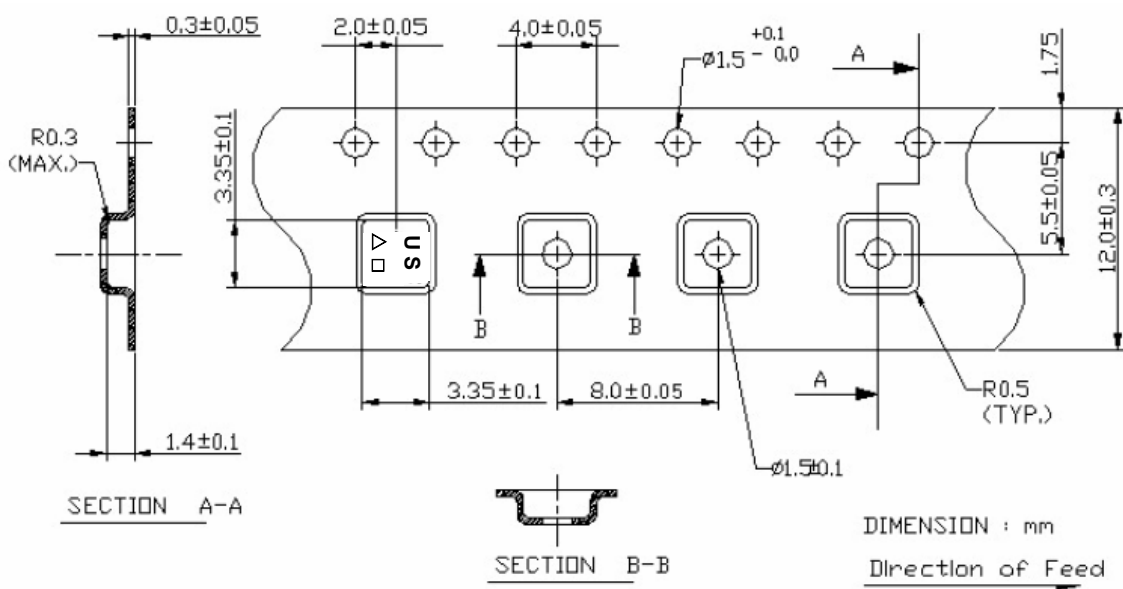


**G. PACKING:**

**1. REEL DIMENSION**



**2. TAPE DIMENSION**



## H. RECOMMENDED REFLOW PROFILE :

