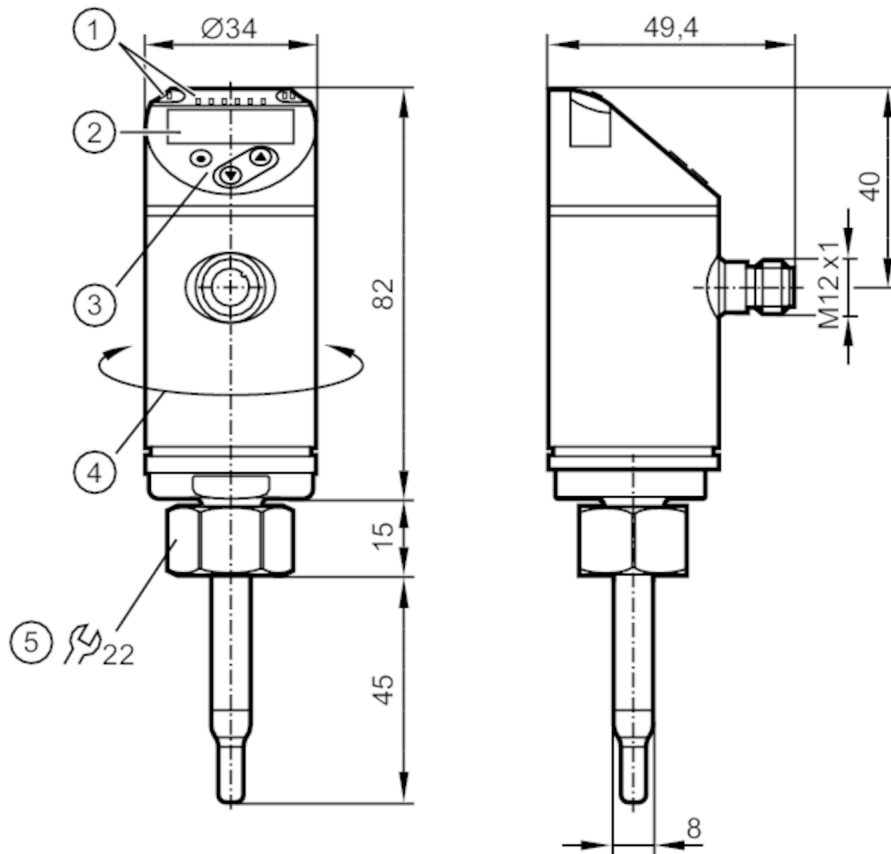


SA5000



Flow sensor

SAD10XDBFRKG/US-100



- 1 LEDs Display unit / switching status
- 2 alphanumeric display 4-digit red/green
- 3 programming buttons
- 4 upper part of the housing can be rotated 345°



Product characteristics

Number of inputs and outputs	Number of digital outputs: 2; Number of analogue outputs: 1
Process connection	threaded connection M18 x 1,5 internal thread

Liquids	
Measuring range [m/s]	0.04...3
Gases	
Measuring range [m/s]	2...100

Application

Special feature	Gold-plated contacts
Media	water; glycol solutions; air; oils
Note on media	low-viscosity oils with viscosity: $\leq 40 \text{ mm}^2/\text{s}$ (40 °C) high-viscosity oils with viscosity: $> 40 \text{ mm}^2/\text{s}$ (40 °C)
Medium temperature [°C]	-20...90
Pressure rating [bar]	100
MAWP (for applications according to CRN) [bar]	100

SA5000



Flow sensor

SAD10XDBFRKG/US-100

Electrical data	
Operating voltage [V]	18...30 DC
Current consumption [mA]	< 100
Protection class	III
Reverse polarity protection	yes
Power-on delay time [s]	10
Inputs / outputs	
Number of inputs and outputs	Number of digital outputs: 2; Number of analogue outputs: 1
Outputs	
Total number of outputs	2
Output signal	switching signal; analogue signal; frequency signal; IO-Link; (configurable)
Electrical design	PNP/NPN
Number of digital outputs	2
Output function	normally open / normally closed; (parameterisable)
Max. voltage drop switching output DC [V]	2.5
Permanent current rating of switching output DC [mA]	250
Number of analogue outputs	1
Analogue current output [mA]	4...20; (scalable)
Max. load [Ω]	350
Short-circuit protection	yes
Type of short-circuit protection	pulsed
Overload protection	yes
Frequency of the output [Hz]	0...1000
Measuring/setting range	
Probe length L [mm]	45
Operating mode	relative; absolutely liquid; absolutely gaseous
Note on setting range	Operating mode: relative
Liquids	
Measuring range [m/s]	0.04...3
Setting range [m/s]	0...6
Gases	
Measuring range [m/s]	2...100
Setting range [m/s]	0...200
Temperature monitoring	
Measuring range [$^{\circ}\text{C}$]	-20...90
Resolution [$^{\circ}\text{C}$]	0.2
Accuracy / deviations	
Flow monitoring	
Temperature drift [cm/s x 1/K]	0,003 m/s x 1/K (< 20 $^{\circ}\text{C}$; > 70 $^{\circ}\text{C}$)
Temperature gradient [K/min]	100

SA5000



Flow sensor

SAD10XDBFRKG/US-100

Accuracy (in the measuring range)	$\pm (7 \% MW + 2 \% MEW)$; (for relative mode in the measuring range with:; water: 20...70 °C; inlet length: 1,5 m; DN25 (DIN 2448); mounting position according to instructions; Accuracy can differ for other media and mounting positions.)	
Repeatability	0,05 m/s; (water; flow velocity: 0,05...3 m/s)	
Temperature monitoring		
Temperature drift	$\pm 0,005 \text{ K/}^\circ\text{C}$	
Accuracy [K]	$\pm 0,3 / \pm 1$; (water; flow velocity: 0,3...3 m/s / air; flow velocity: > 10 m/s)	
Response times		
Flow monitoring		
Response time [s]	0.5; (T09; water; glycol: 0,8 s; air: 7 s; oil: 1,8 s; each T09)	
Temperature monitoring		
Dynamic response T05 / T09 [s]	1,5 (T09); (water; flow velocity: 0,3...3 m/s)	
Software / programming		
Parameter setting options	hysteresis / window; normally open / normally closed; switching logic; current/frequency output; medium selection; Damping; Teach function; display can be rotated and switched off; standard unit of measurement; process value colour	
Interfaces		
Communication interface	IO-Link	
Transmission type	COM2 (38,4 kBaud)	
IO-Link revision	1.1	
SDCI standard	IEC 61131-9	
Profiles	Smart Sensor: Process Data Variable; Device Identification, Device Diagnosis	
SIO mode	yes	
Required master port type	A	
Process data analogue	2	
Process data binary	2	
Min. process cycle time [ms]	3	
Supported DeviceIDs	Type of operation	DeviceID
	Factory setting / ModE = (REL)	533
	ModE = (LIQU)	540
	ModE = (GAS)	547
Operating conditions		
Ambient temperature [°C]	-40...80	
Storage temperature [°C]	-40...100	
Protection	IP 65; IP 67	
Tests / approvals		
EMC	DIN EN 60947-5-9	
Shock resistance	DIN EN 60068-2-27	50 g (11 ms)
Vibration resistance	DIN EN 60068-2-6	20 g (10...2000 Hz)
MTTF [years]	132	
UL approval	UL Approval no.	I003
	File number UL	E174189
Mechanical data		
Weight [g]	314	
Materials	stainless steel (1.4404 / 316L); stainless steel (1.4310 / 301); PBT-GF20; PBT-GF30	

SA5000



Flow sensor

SAD10XDBFRKG/US-100

Materials (wetted parts)	stainless steel (1.4404 / 316L); Gasket: FKM
Process connection	threaded connection M18 x 1,5 internal thread

Displays / operating elements		
Display	Display unit	6 x LED, green (% , m/s, l/min, m ³ /h, °C, 10 ³)
	switching status	2 x LED, yellow
	measured values	alphanumeric display, red/green 4-digit

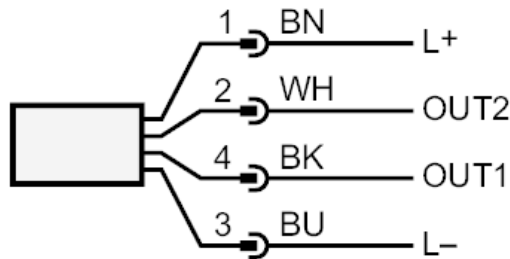
Remarks	
Remarks	MW = measured value MEW = Final value of the measuring range
Pack quantity	1 pcs.

Electrical connection

Connector: 1 x M12; coding: A; Contacts: gold-plated



Connection



- colours to DIN EN 60947-5-2
- OUT1:
- switching output volumetric flow quantity monitoring
 - frequency output volumetric flow quantity monitoring
 - IO-Link
- OUT2:
- switching output volumetric flow quantity monitoring
 - switching output Temperature monitoring
 - analogue output volumetric flow quantity monitoring
 - analogue output Temperature monitoring
 - frequency output volumetric flow quantity monitoring
 - frequency output Temperature monitoring
 - input External Teach
- Core colours :
- BK = black
BN = brown
BU = blue
WH = white