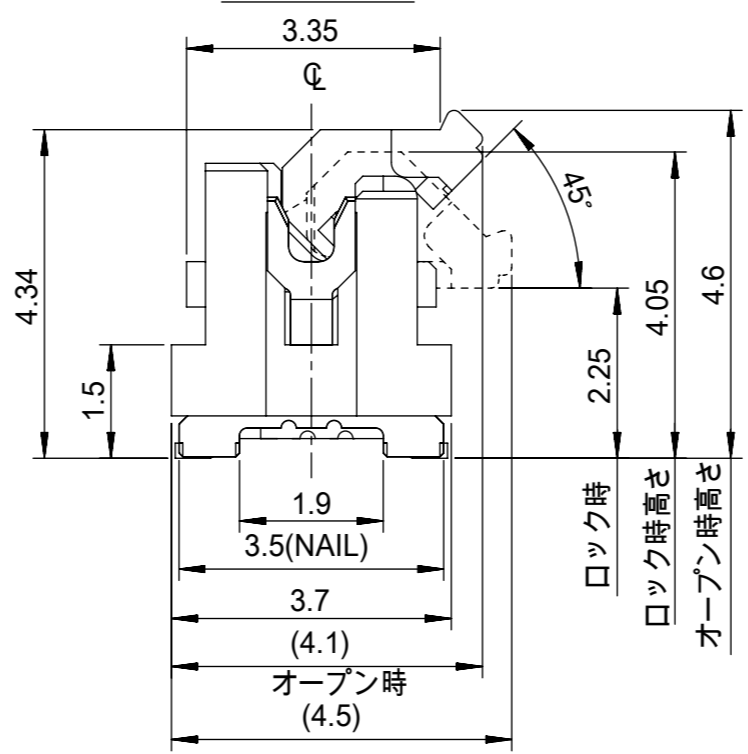


断面図 (参考)



注記 NOTES

1. 使用材料 MATERIAL
 ハウジング : 液晶ポリマー ガラス充填, UL94V-0(白)
 HOUSING LIQUID CRYSTAL POLYMER
 GLASS FILLED, UL94V-0 (WHITE)
 アクチュエータ : ポリアミド 9T, ガラス充填, UL94V-0(茶)
 ACTUATOR POLYAMIDE 9T, GLASS FILLED,
 UL94V-0 (BROWN)
 ターミナル : 銅合金(t=0.15)
 TERMINAL COPPER ALLOY
 金具 : 銅合金(t=0.2)
 FITTING NAIL COPPER ALLOY
 2. めっき仕様 PLATING
 ターミナル TERMINAL
 コンタクト部 : 部分金めっき(0.1μm以上)
 テール部 : 部分金めっき
 下地 : ニッケルめっき(1.0μm以上)
 CONTACT AREA : SEPARATED GOLD PLATING
 (0.1 MICROMETER MINIMUM)
 SOLDER TAIL AREA : SEPARATED GOLD PLATING
 UNDERPLATE : NICKEL OVERALL
 金具 FITTING NAIL
 ニッケル下地 錫めっき
 錫めっき(1.0μm以上)
 ニッケルめっき(1.0μm以上)
 TIN(Sn) OVER NICKEL(Ni) PLATING.
 TIN PLATING (1.0 MICROMETER MINIMUM)
 NICKEL PLATING (1.0 MICROMETER MINIMUM)
 3. テールと金具を併せた平坦度は 0.1ミリメートル以下(リフロー前)
 TAILS AND NAILS COPLANARITY
 TO BE 0.1 MAX. (BEFORE REFLOW)
 4. ELV及びRoHS適合品
 ELV AND RoHS COMPLIANT
- △ R0.3は、FPC導体部にかからないこと。
 R0.3 MUST NOT BE OVERLAPPED
 TO PATTERN OF FPC.

8	35.7	37.1	37.4	34.5	37.8	501951-7010	70
	30.7	32.1	32.4	29.5	32.8	501951-6010	60
	25.7	27.1	27.4	24.5	27.8	501951-5010	50
	23.2	24.6	24.9	22.0	25.3	501951-4510	45
	20.7	22.1	22.4	19.5	22.8	501951-4010	40
	16.7	18.1	18.4	15.5	18.8	501951-3210	32
	15.7	17.1	17.4	14.5	17.8	501951-3010	30
	12.7	14.1	14.4	11.5	14.8	501951-2410	24
	11.7	13.1	13.4	10.5	13.8	501951-2210	22
10.7	12.1	12.4	9.5	12.8	501951-2010	20	
F	E	D	C	B	A	EMBOSSED PACKAGE オーダー番号 ORDER NO.	CIRCUITS

CONNECTOR SERIES NO. 501951-**19

GENERAL TOLERANCES (UNLESS SPECIFIED)	
0.25 UNDER	±0.03
0.25 OVER 0.5 UNDER	±0.05
0.5 OVER 1.0 UNDER	±0.1
1.0 OVER 10 UNDER	±0.2
10 OVER 30 UNDER	±0.25
30 OVER	±0.3
ANGULAR	±1°

THIS DRAWING CONTAINS INFORMATION THAT IS PROPRIETARY TO MOLEX ELECTRONIC TECHNOLOGIES, LLC AND SHOULD NOT BE USED WITHOUT WRITTEN PERMISSION

DIMENSION UNITS: mm SCALE: 10:1

CURRENT REV DESC: REVISED

molex

0.5 FPC CONN. HSG ASSY
EASY ON / STRAIGHT (GOLD)

PRODUCT CUSTOMER DRAWING

EC NO: 637653
 DRWN: TNAKAGAWA01 2020/05/15
 CHK'D: HSHIMOYAMA 2020/05/15
 APPR: SHOSHIKAWA 2020/05/15

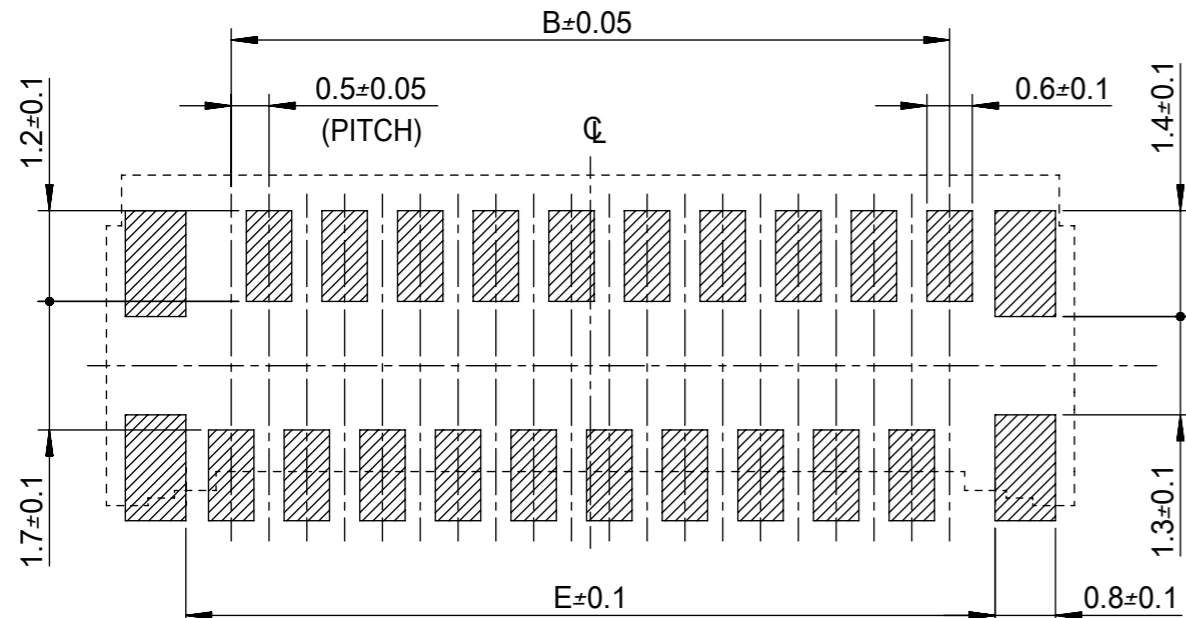
INITIAL REVISION:
 DRWN: TRSUZUKI 2006/08/31
 APPR: HHIRATA 2006/09/05

DOCUMENT NUMBER: SD-501951-003
 DOC TYPE: PSD
 DOC PART: 001
 REVISION: G

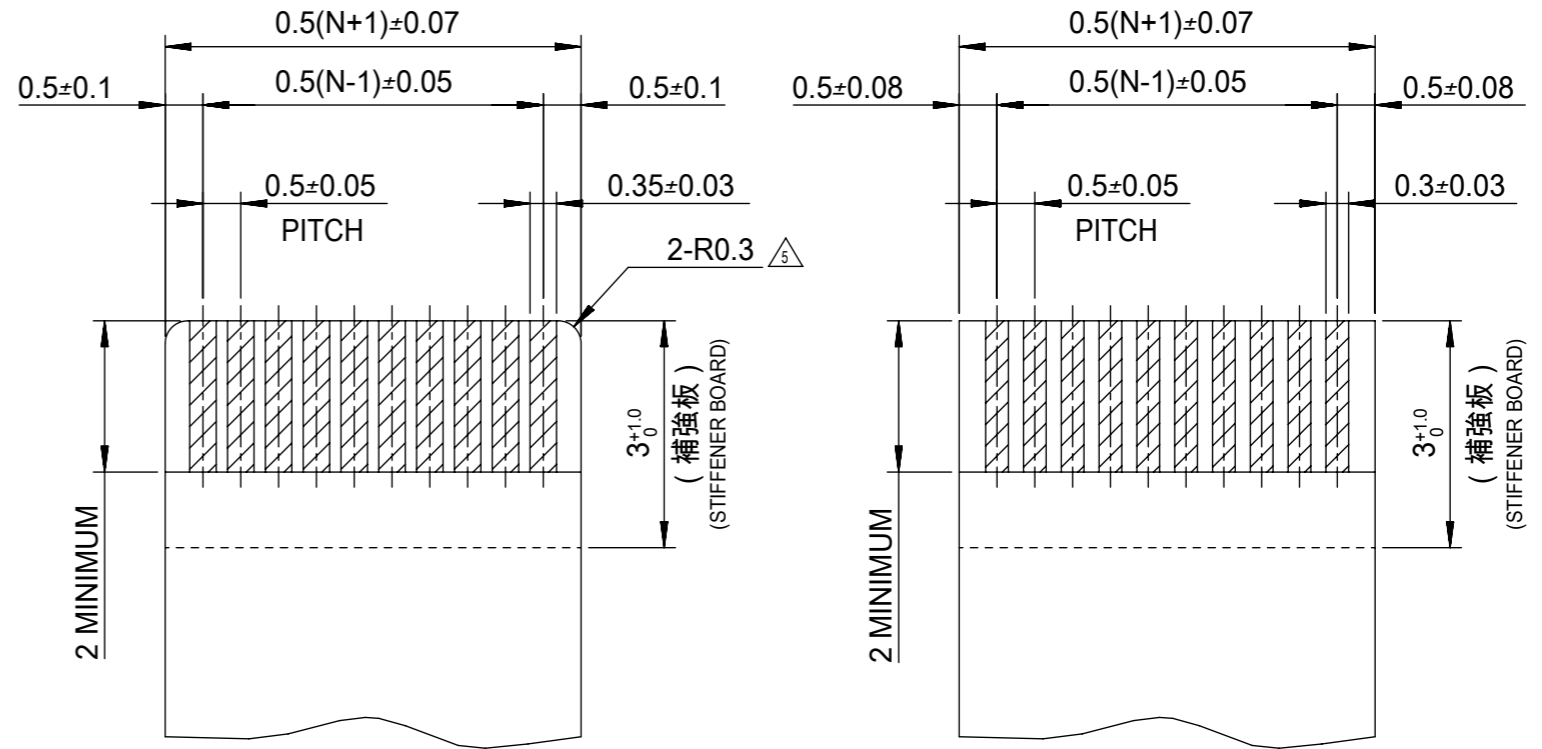
DRAFT WHERE APPLICABLE MUST REMAIN WITHIN DIMENSIONS

THIRD ANGLE PROJECTION

DRAWING: A3-SIZE
 SERIES: 501951
 MATERIAL NUMBER: SEE TABLE
 CUSTOMER: GENERAL MARKET
 SHEET NUMBER: 1 OF 2



参考基板レイアウト (マウント面)
P.C.BOARD PATTERN DIMENSION(REF.)
(MOUNT AREA)



適合FPC推奨寸法 N:極数
N:CIRCUITS
APPLICABLE FPC
RECOMMENDED DIMENSION
(仕上がり厚さ: 0.3±0.05)
(THICKNESS: 0.3±0.05)

適合FFC推奨寸法 N:極数
N:CIRCUITS
APPLICABLE FFC
RECOMMENDED DIMENSION
(仕上がり厚さ: 0.3±0.05)
(THICKNESS: 0.3±0.05)

FPCについて ABOUT FPC

補強フィルム材質はポリイミドを推奨します。ベースフィルムは25μmを推奨します。
接着剤は熱硬化接着剤を推奨します。
尚、接着剤の接点部への付着は導通不良の原因になりますので、染み出しが無い様お願い致します。

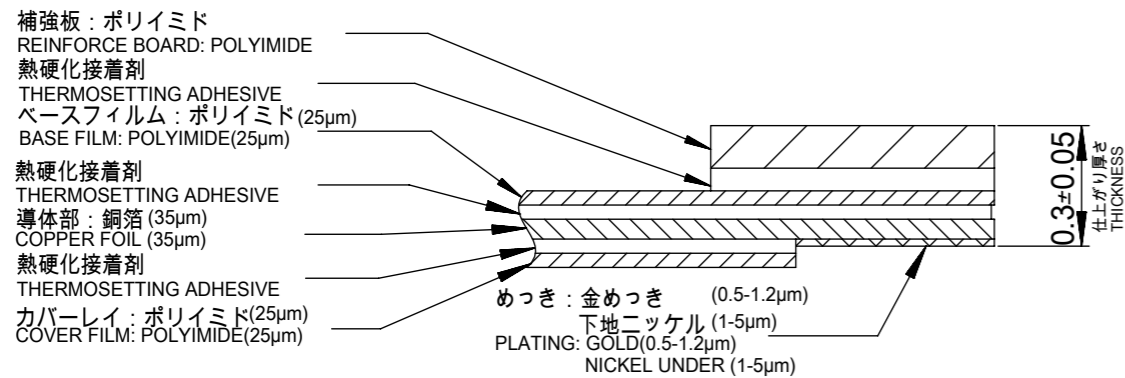
RECOMMENDED MATERIAL/THICKNESS.
RECOMMENDED STIFFENER MATERIAL: POLYIMIDE
RECOMMENDED BASE FILM THICKNESS: 25 MICROMETER
RECOMMENDED ADHESIVE: THERMOSETTING ADHESIVE

NOTE: PLEASE PUT APPROPRIATE AMOUNT OF ADHESIVE ON ADHEREND BECAUSE THERE IS A POSSIBILITY THAT THE EXTRA ADHESIVE CAUSES THE DEFECT IN ELECTRICAL CONTINUITY.
THERE IS A POSSIBILITY THAT THE PRESCRIPT TEMPERATURE OF FFC IS SET TO SINGLE IT.

FPC/FFCについて ABOUT FPC/FFC

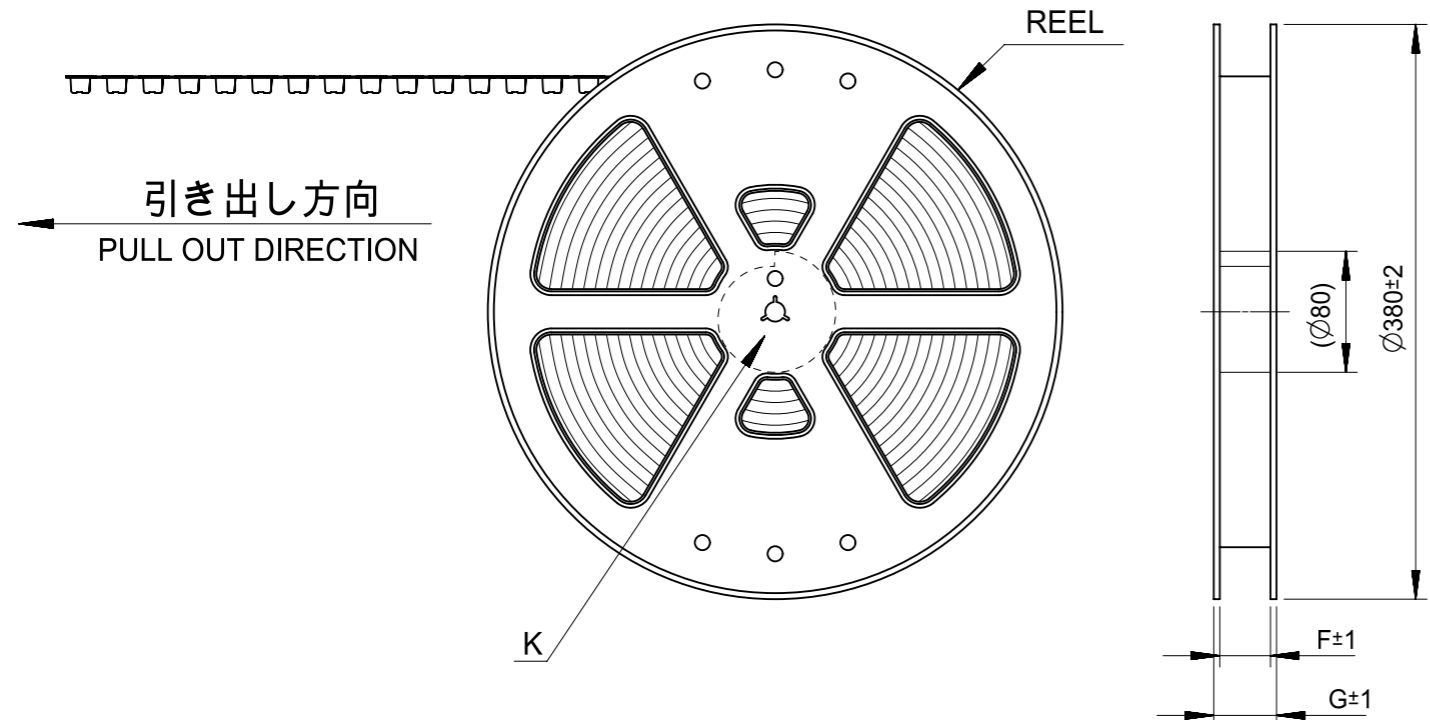
打ち抜き方向は導体側から補強板側を推奨します。
導体部については軟箔銅35μmまたは50μmを推奨します。
FFCに規定された定格温度がFFC単体前提である場合が御座います。
コネクタと組み合わせての実使用において、接着層が劣化するなどの信頼性を満足できないケースを回避するため、実機での評価/確認をお願い致します。

RECOMMENDED PUNCHING DIRECTION: FROM CONDUCTOR SIDE TO STIFFENER SIDE
RECOMMENDED CONDUCTOR SPEC: SOFT COPPER FOIL
RECOMMENDED CONDUCTOR THICKNESS: 35 MICROMETER OR 50 MICROMETER
NOTE: WHEN ACTUALLY USING IT WITH CONNECTOR, PLEASE DO THE EVALUATION AND THE CONFIRMATION WITH AN ACTUAL EQUIPMENT TO EVADE THE CASE WHERE RELIABILITY CANNOT BE FILLED (THE ADHESIVE LINE OF FFC IS DETERIORATED ETC.)



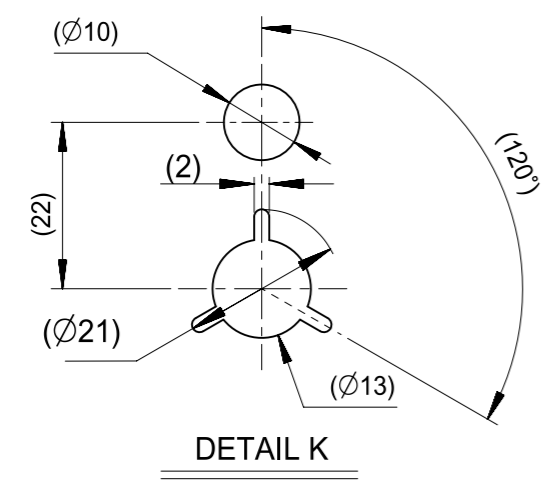
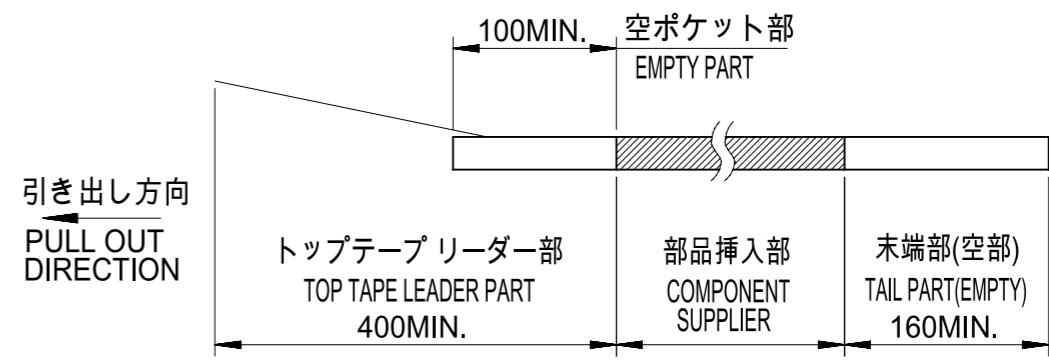
FPC構成推奨仕様
STRUCTURE OF FPC

THIS DRAWING CONTAINS INFORMATION THAT IS PROPRIETARY TO MOLEX ELECTRONIC TECHNOLOGIES, LLC AND SHOULD NOT BE USED WITHOUT WRITTEN PERMISSION		CURRENT REV DESC: REVISED			
GENERAL TOLERANCES (UNLESS SPECIFIED)		SCALE 10:1			
0.25 UNDER	±0.03	GENERAL TOLERANCES (UNLESS SPECIFIED)		EC NO: 637653	
0.25 OVER 0.5 UNDER	±0.05	ANGULAR TOL ± 1.0°		DRWN: TNAKAGAWA01 2020/05/15	
0.5 OVER 1.0 UNDER	±0.1	4 PLACES ± 0.2		CHK'D: HSHIMUYAMA 2020/05/15	
1.0 OVER 10 UNDER	±0.2	3 PLACES ± 0.25		APPR: SHOSHIKAWA 2020/05/15	
10 OVER 30 UNDER	±0.25	2 PLACES ± 0.3		INITIAL REVISION:	
30 OVER	±0.3	1 PLACE ± 0.05		DRWN: TRSUZUKI 2006/08/31	
ANGULAR	±1°	0 PLACES ±		APPR: HHIRATA 2006/09/05	
DRAFT WHERE APPLICABLE MUST REMAIN WITHIN DIMENSIONS		THIRD ANGLE PROJECTION		DOCUMENT NUMBER	
		DRAWING A3-SIZE		SD-501951-003	
		SERIES 501951		DOC TYPE DOC PART REVISION	
		MATERIAL NUMBER		PSD 001 G	
		CUSTOMER		SHEET NUMBER	
		SEE SHEET 1		GENERAL MARKET 2 OF 2	



NOTES

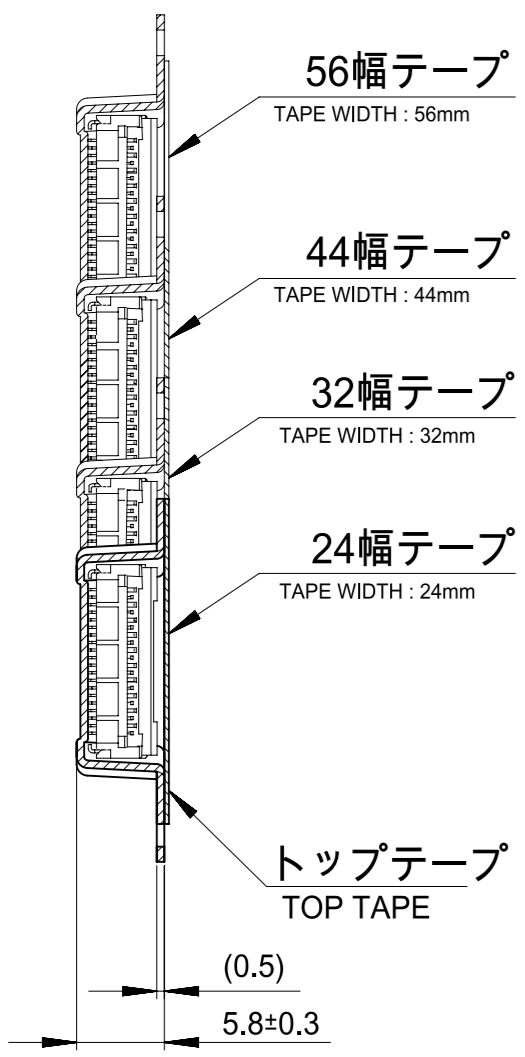
- 製品詳細寸法については図面 SD-501951-003を参照下さい。
FOR DIMENSIONS OF PRODUCT, REFER TO SD-501951-003.
- 梱包数量：2000個/リール
NUMBER OF CONNECTORS：2000PIECES/REEL
- リードテープ長さ
LEAD TAPE LENGTH



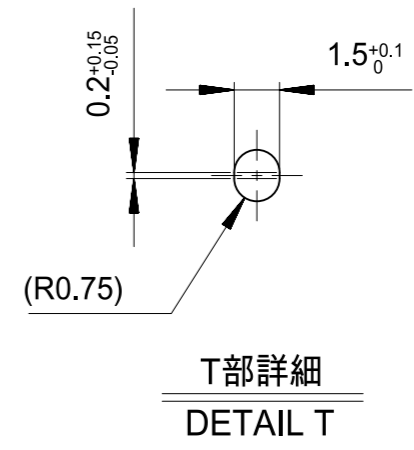
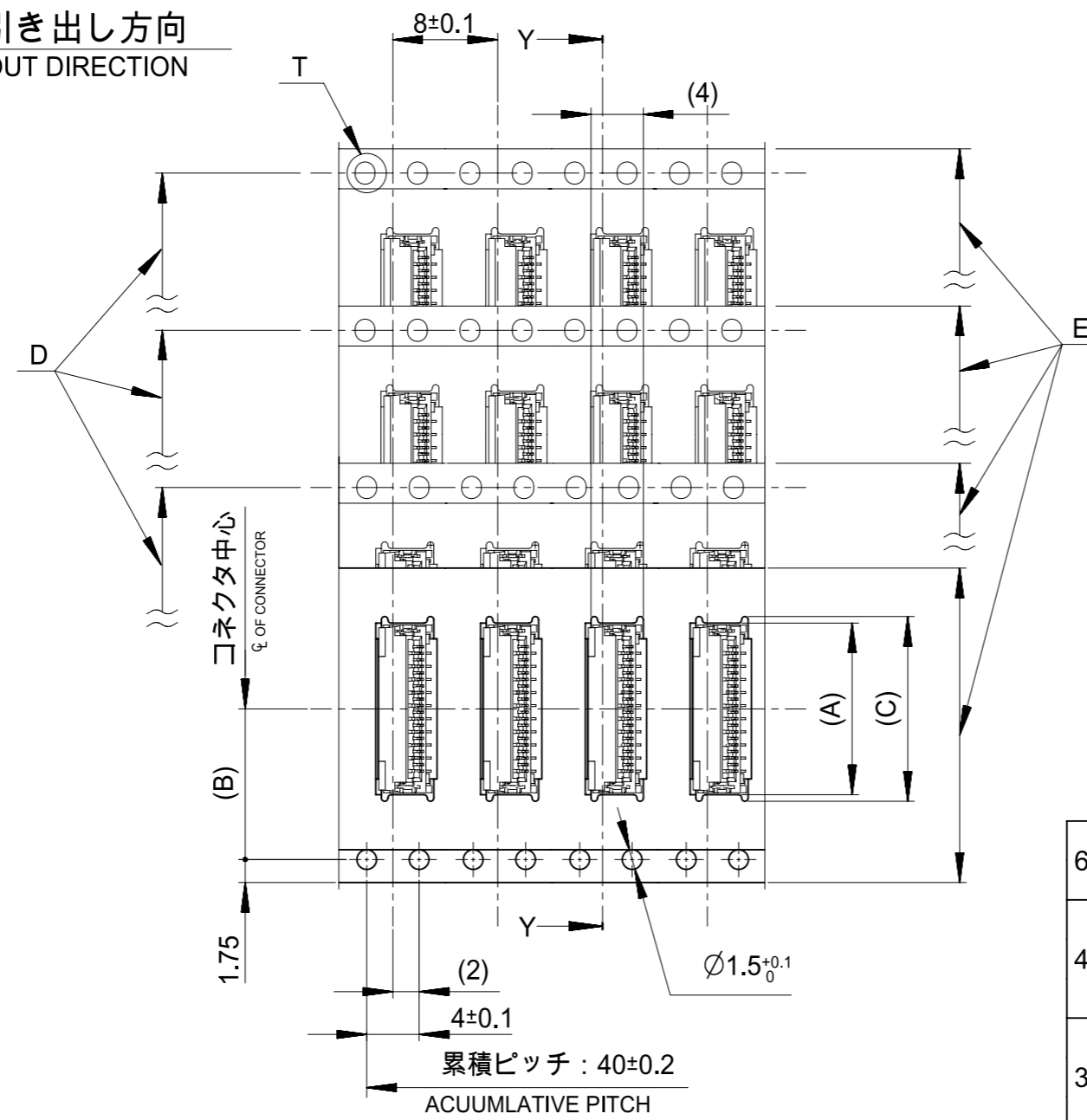
- トッテープの剥離強度については、IEC60286-3に準拠
TOP TAPE PEEL FORCE IS DEFINED BY IEC 60286-3.
- 材料 MATERIAL
キャリアテープ：ポリスチレン
CARRIER TAPE：POLYSTYRENE
トッテープ：ポリエチレンテレフタレート、ポリエチレン
TOP TAPE：POLYETHYLENE TEREPHTHALATE, POLYETHYLENE
リール：ポリスチレン<リサイクル材を含む>
REEL：POLYSTYRENE<RECYCLE MATERIAL CONTAINED>
- ELV及びRoHS適合品 ELV AND RoHS COMPLIANT

THIS DRAWING CONTAINS INFORMATION THAT IS PROPRIETARY TO MOLEX ELECTRONIC TECHNOLOGIES, LLC AND SHOULD NOT BE USED WITHOUT WRITTEN PERMISSION									
DIMENSION UNITS		SCALE		CURRENT REV DESC:				molex	
mm		10:1							
GENERAL TOLERANCES (UNLESS SPECIFIED)				EC NO: 601584				0.5 FPC CONN. HSG ASSY	
ANGULAR TOL ± 1.0 °				DRWN: SKAWAKAMI 2018/09/21				E/O STRAIGHT EMBSTP PKG (GOLD)	
4 PLACES ± 0.05				CHK'D: TRSUZUKI 2018/09/25				PRODUCT CUSTOMER DRAWING	
3 PLACES ± 0.1				APPR: RTAKEUCHI 2018/12/25					
2 PLACES ± 0.2				INITIAL REVISION:				DOCUMENT NUMBER	
1 PLACE ± 0.25				DRWN: TRSUZUKI 2006/08/31				SD-501951-004	
0 PLACES ± 0.3				APPR: HHIRATA 2006/09/05				PSD 001 F	
DRAFT WHERE APPLICABLE MUST REMAIN WITHIN DIMENSIONS		THIRD ANGLE PROJECTION		DRAWING		SERIES		MATERIAL NUMBER	
				A3-SIZE		501951		CUSTOMER	
								GENERAL MARKET	
								SHEET NUMBER	
								1 OF 2	

引き出し方向
PULL OUT DIRECTION



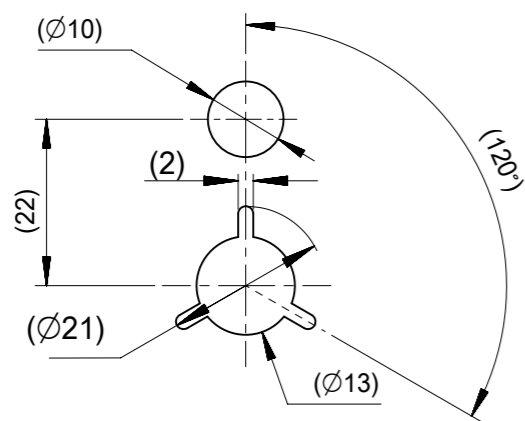
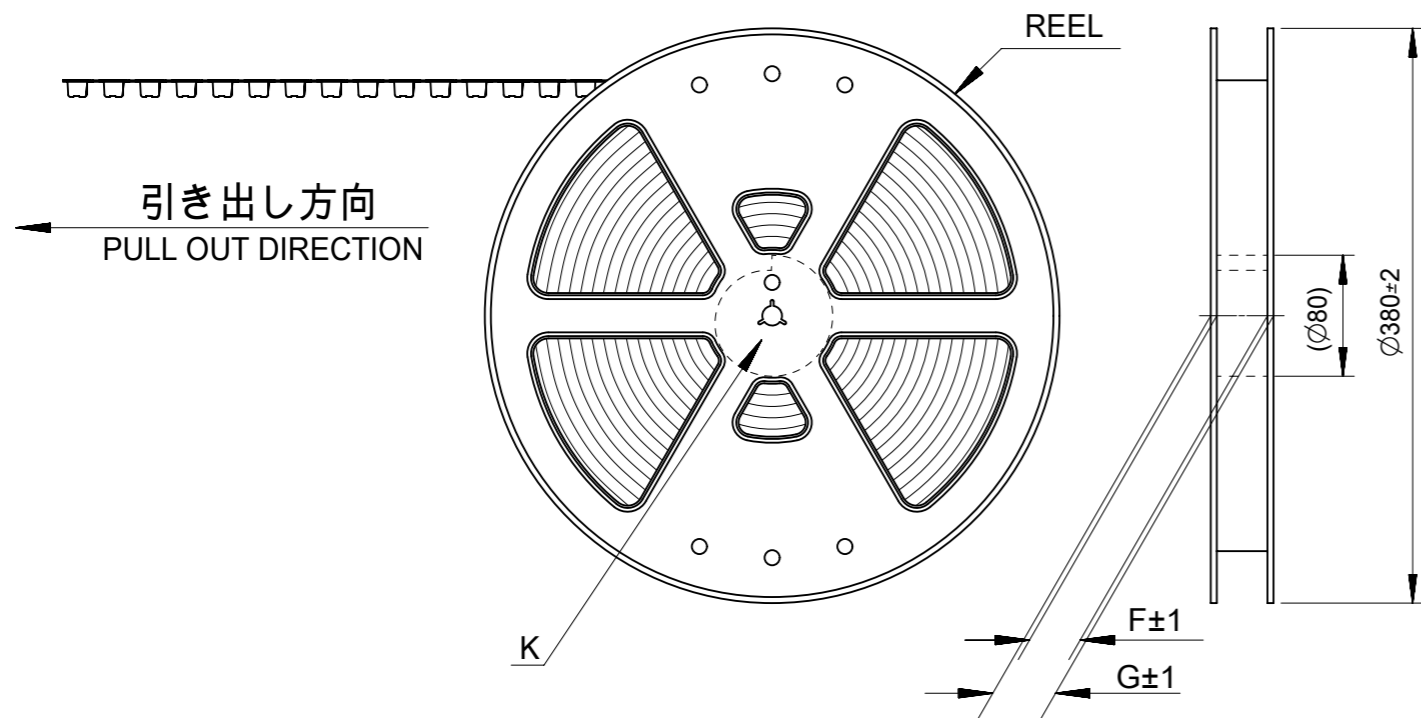
断面 Y-Y
SECTION Y-Y



61.4	57.4	56±0.3	52.4	39.1	26.2	38.1	501951-7010	70
				34.1		33.1	501951-6010	60
49.4	45.4	44±0.3	40.4	29.1	20.2	28.1	501951-5010	50
				26.1		25.6	501951-4510	45
				24.1		23.1	501951-4010	40
37.4	33.4	32±0.3	28.4	20.1	14.2	19.1	501951-3210	32
				19.1		18.1	501951-3010	30
				16.1		15.1	501951-2410	24
29.4	25.4	24±0.3	—	15.1	11.5	14.1	501951-2210	22
				14.1		13.1	501951-2010	20
G	F	E CARRIER TAPE WIDTH		D	(C)	(B)	(A)	MATERIAL NO. CIRCUITS

THIS DRAWING CONTAINS INFORMATION THAT IS PROPRIETARY TO MOLEX ELECTRONIC TECHNOLOGIES, LLC AND SHOULD NOT BE USED WITHOUT WRITTEN PERMISSION

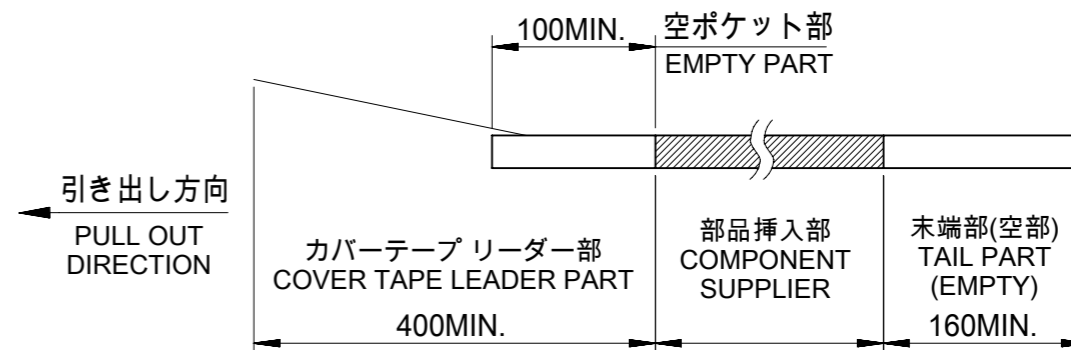
DIMENSION UNITS mm	SCALE 10:1	CURRENT REV DESC:		molex			
GENERAL TOLERANCES (UNLESS SPECIFIED)		EC NO: 601584					
ANGULAR TOL	± 1.0 °	DRWN: SKAWAKAMI 2018/09/21		PRODUCT CUSTOMER DRAWING			
4 PLACES	± 0.05	CHK'D: TRSUZUKI 2018/09/25		DOCUMENT NUMBER			
3 PLACES	± 0.1	APPR: RTAKEUCHI 2018/12/25		SD-501951-004			
2 PLACES	± 0.2	INITIAL REVISION:		DOC TYPE			
1 PLACE	± 0.25	DRWN: TRSUZUKI 2006/08/31		PSD			
0 PLACES	± 0.3	APPR: HHIRATA 2006/09/05		DOC PART			
DRAFT WHERE APPLICABLE MUST REMAIN WITHIN DIMENSIONS		THIRD ANGLE PROJECTION		REVISION			
		DRAWING		001			
		SERIES		F			
		MATERIAL NUMBER		GENERAL MARKET			
		CUSTOMER		2 OF 2			
		SHEET NUMBER					



DETAIL K

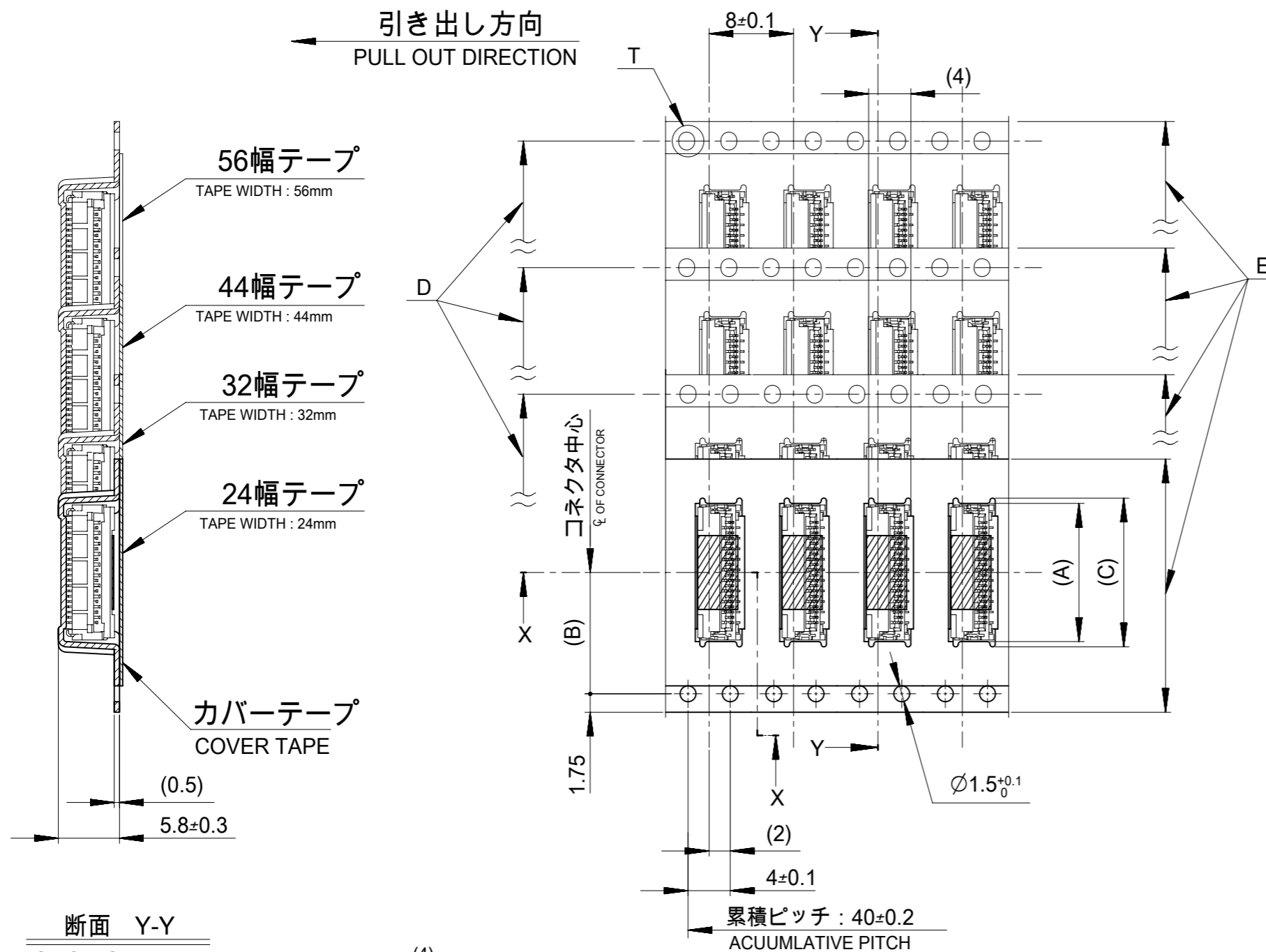
NOTES

- 製品詳細寸法については SD-501951-009を参照下さい。
FOR DIMENSIONS OF PRODUCT, REFER TO SD-501951-009.
- 梱包数量：2000個/リール
NUMBER OF CONNECTORS：2000PIECES/REEL
- リードテープ長さ
LEAD TAPE LENGTH

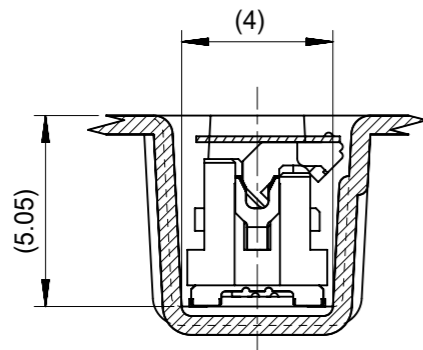


- カバーテープの剥離強度については、IEC60286-3に準拠。
COVER TAPE PEEL FORCE IS DEFINED BY IEC60286-3
- 材料 MATERIAL
キャリアテープ：ポリスチレン
CARRIER TAPE：POLYSTYRENE
カバーテープ：ポリエチレンテレフタレート, ポリエチレン
COVER TAPE：POLYETHYLENE TEREPHTHALATE, POLYETHYLENE
リール：ポリスチレン<リサイクル材を含む>
REEL：POLYSTYRENE<RECYCLE MATERIAL CONTAINED>
- ELV及びRoHS適合品
ELV AND RoHS COMPLIANT
- 本製品は 5019517010 の吸着テープ付き品である。
THIS PRODUCT IS COVER TAPE VERSION OF 5019517010.

THIS DRAWING CONTAINS INFORMATION THAT IS PROPRIETARY TO MOLEX ELECTRONIC TECHNOLOGIES, LLC AND SHOULD NOT BE USED WITHOUT WRITTEN PERMISSION									
DIMENSION UNITS		SCALE		CURRENT REV DESC:				molex	
mm		1:1							
GENERAL TOLERANCES (UNLESS SPECIFIED)				EC NO: 601584				0.5 FPC CONN. HSG ASSY	
ANGULAR TOL ± 1.0°				DRWN: SKAWAKAMI 2018/12/14				E/O STRAIGHT EMBSTP PKG (GOLD)	
4 PLACES ± 0.25				CHK'D: TRSUZUKI 2018/12/25					
3 PLACES ± 0.25				APPR: RTAKEUCHI 2018/12/25				PRODUCT CUSTOMER DRAWING	
2 PLACES ± 0.25				INITIAL REVISION:				DOCUMENT NUMBER	
1 PLACE ± 0.25				DRWN: NKONDO 2016/01/14				SD-501951-010	
0 PLACES ± 0.25				APPR: KMORIKAWA 2016/01/15				PSD 001 A	
DRAFT WHERE APPLICABLE MUST REMAIN WITHIN DIMENSIONS		THIRD ANGLE PROJECTION		DRAWING		SERIES		MATERIAL NUMBER	
				A3-SIZE		501951		SEE CHART	
						CUSTOMER		GENERAL	
								SHEET NUMBER	
								1 OF 2	



断面 Y-Y
SECTION Y-Y



断面 X-X
SECTION X-X

61.4	57.4	56±0.3	52.4	39.1	26.2	38.1	5019517020	70
G	F	E CARRIER TAPE WIDTH	D	(C)	(B)	(A)	EMBOSSED PACKAGE ORDER NO.	CIRCUITS

THIS DRAWING CONTAINS INFORMATION THAT IS PROPRIETARY TO MOLEX ELECTRONIC TECHNOLOGIES, LLC AND SHOULD NOT BE USED WITHOUT WRITTEN PERMISSION		CURRENT REV DESC:		molex	
DIMENSION UNITS mm	SCALE 1:1	EC NO: 601584			
GENERAL TOLERANCES (UNLESS SPECIFIED)		DRWN: SKAWAKAMI 2018/12/14		0.5 FPC CONN. HSG ASSY E/O STRAIGHT EMBSTP PKG (GOLD)	
ANGULAR TOL	± 1.0 °	CHK'D: TRSUZUKI 2018/12/25		PRODUCT CUSTOMER DRAWING	
4 PLACES	± 0.25	APPR: RTAKEUCHI 2018/12/25		DOCUMENT NUMBER	
3 PLACES	± 0.25	INITIAL REVISION:		SD-501951-010	
2 PLACES	± 0.25	DRWN: NKONDO 2016/01/14		DOC TYPE	DOC PART
1 PLACE	± 0.25	APPR: KMORIKAWA 2016/01/15		PSD	001
0 PLACES	± 0.25	THIRD ANGLE PROJECTION		CUSTOMER	REVISION
DRAFT WHERE APPLICABLE MUST REMAIN WITHIN DIMENSIONS		DRAWING A3-SIZE		SERIES 501951	SHEET NUMBER 2 OF 2