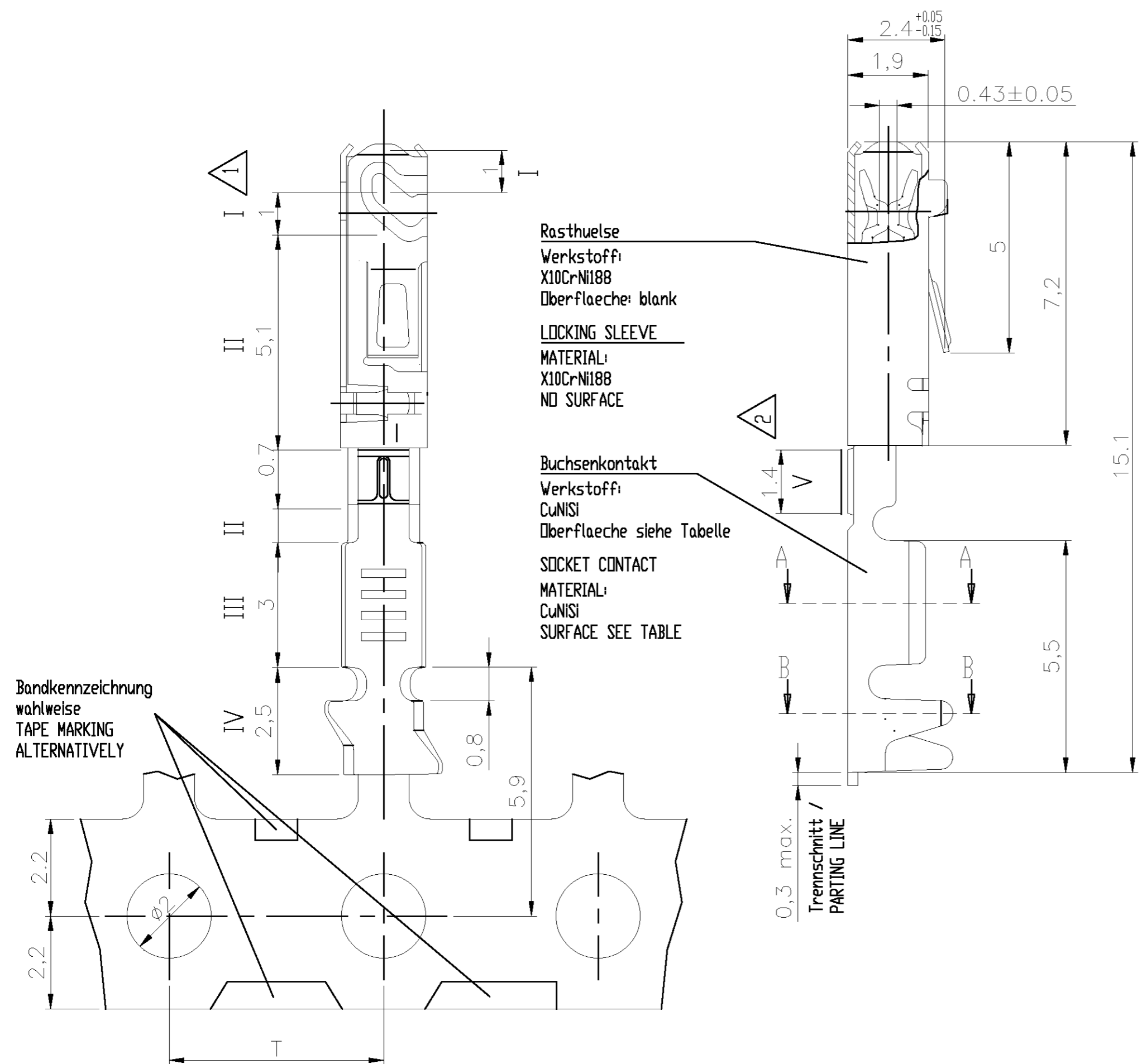


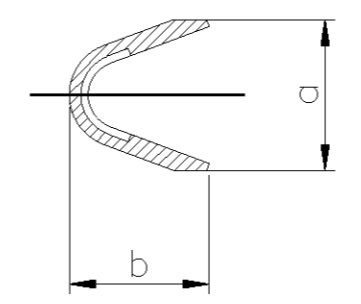
LOC		DIST		REVISIONS			
P	LTR	DESCRIPTION	DATE	DWN	APVD		
	A	NEW DRAWING CREATED	17NOV2008	Abr	Goe		



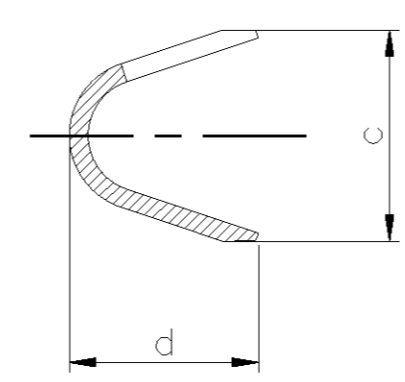
Oberfläche / SURFACE

Ausführung VERSION	Schichtdicke PLATING THICKNESS	
Sn	Zone I (in Kontaktbereich) (AT CONTACT AREA)	2±1 µm Sn ueber 2±1 µm Ni 2±1 µm Sn OVER 2±1 µm Ni
	Zone II	Sn Auslauf ueber ≤ 4 µm Ni Sn OVERPLATED OVER ≤ 4 µm Ni
	Zone III	2±1 µm Sn ueber ≤ 1 µm Ni 2±1 µm Sn OVER ≤ 1 µm Ni
	Zone IV	>= 1 µm Sn ueber ≤ 1 µm Ni >= 1 µm Sn OVER ≤ 1 µm Ni
	Zone V (in Kontaktbereich) (AT CONTACT AREA)	>= 1 µm Au ueber 2±1 µm Ni >= 1 µm Au OVER 2±1 µm Ni

Schnitt A-A



Schnitt B-B



Bemerkungen
 NOTES

- 1 Kontaktbereich fuer Stifteleiste / CONTACT AREA FOR PIN CONTACT
- 2 Kontaktbereich fuer Kurzschluss / CONTACT AREA FOR SHORTING CONTACT
- 3 Befettung: Schutzfilm Optimol, 10% Loesung in Testbenzin
 DIP GREASED WITH OPTIMOL, 10% SOLUTION IN ALCOHOL
- 4 Laengen und Winkel: DIN 7168-m ; Form und Lage: DIN ISO 2768-mH
 LENGHT AND ANGLES: DIN 7168-m; FORM AND POSITION: DIN ISO 2768-mH

Massgebend ist der deutsche Text.
 ONLY THE GERMAN-LANGUAGE VERSION
 SHALL BE BINDING.

0-1411576-1	A	0.35 - 0.5	Sn	2	1.85	2.8	2.5	5.08	0.2	Kurzschluss SHORTING CONTACT
TE Best.-Nr. TE ORDER NO.	Rev.	Leitungs- querschnitt CONDUCTOR SIZE	Ober- flaeche SURFACE	a	b	c	d	T	g	Bemerkungen REMARKS
				Mass DIMENSION				Gewicht WEIGHT		

THIS DRAWING IS A CONTROLLED DOCUMENT.		DWN Abraham,G. 17NOV2008	Tyco Electronics AMP GmbH 64625 Bensheim	
DIMENSIONS: mm		CHK Goepfel,C. 18NOV2008	NAME Buchsenkontakt-ELO Crimp-Version SOCKET CONTACT CRIMP-VERSION	
TOLERANCES UNLESS OTHERWISE SPECIFIED:		APVD Bleicher,M. 19NOV2008	SIZE A2 CAGE CODE 00779 DRAWING NO. 1411576 RESTRICTED TO	
0 PLC ± - 1 PLC ± - 2 PLC ± - 3 PLC ± - 4 PLC ± - ANGLES ± -		PRODUCT SPEC -	SCALE 10:1 SHEET 1 OF 1 REV A	
MATERIAL - FINISH -		APPLICATION SPEC 114-18433	CUSTOMER DRAWING	