



ATWINC3400-MR210xA

IEEE® 802.11 b/g/n Network Controller with Integrated Bluetooth® Low Energy Module

Introduction

The ATWINC3400-MR210xA is an IEEE 802.11 b/g/n RF/Baseband/Medium Access Control (MAC) network controller with Bluetooth Low Energy module. The ATWINC3400-MR210xA modules are Bluetooth 5.0 certified. This module is optimized for low power and high performance mobile applications. This module features small form factor with integrated Power Amplifier (PA), Low-Noise Amplifier (LNA), Transmit/Receive (T/R) switch (for Wi-Fi® and Bluetooth) and Power Management Unit (PMU). The ATWINC3400-MR210CA integrates a chip antenna while the ATWINC3400-MR210UA adds a micro co-ax (u.FL) connector for connecting to an external antenna. The ATWINC3400-MR210xA module requires a 32.768 kHz clock for sleep operation.

The ATWINC3400-MR210xA module utilizes highly optimized IEEE 802.11 Bluetooth coexistence protocols, and provides Serial Peripheral Interface (SPI) to interface with the host controller.

The references to the ATWINC3400-MR210xA module include the following devices:

- ATWINC3400-MR210CA – Integrates a chip antenna
- ATWINC3400-MR210UA – Adds a micro co-ax (u.FL) connector for connecting to an external antenna

Features

Wi-Fi features:

- IEEE 802.11 b/g/n RF/PHY/MAC
- IEEE 802.11 b/g/n (1x1) with Single Spatial Stream, up to 72 Mbps PHY Rate in a 2.4 GHz ISM Band
- Integrated Chip Antenna or Micro Co-ax (U.FL) Connector for an External Antenna
- Superior Sensitivity and Range via Advanced PHY Signal Processing
- Advanced Equalization and Channel Estimation
- Advanced Carrier and Timing Synchronization
- Supports Soft-AP
- Supports IEEE 802.11 WEP, WPA and WPA2 Personal and WPA2 Enterprise (firmware version 1.3.1 or later)
- Superior MAC Throughput through Hardware Accelerated Two-Level A-MSDU/A-MPDU Frame Aggregation and Block Acknowledgment
- On-Chip Memory Management Engine to Reduce the Host Load
- Operating Temperature Range from -40°C to +85°C
- Input/Output voltage ranges from 2.7V to 3.6V
- Power supply (VBAT) ranges from 3.0V to 4.2V
- Wi-Fi Alliance® Certified for Connectivity and Optimizations
 - ID: [WFA62065](#)
- Integrated On-Chip Microcontroller
- SPI Host Interface
- Integrated Flash Memory for Wi-Fi and Bluetooth System Software
- Low Leakage On-Chip Memory for State Variables
- Fast AP Re-Association (150 ms)

- On-Chip Network Stack to Offload MCU
- Network Features: Firmware version 1.2.0 or later
 - TCP, UDP, DHCP, ARP, HTTP, TLS, DNS and SNTP

Bluetooth features:

- ATWINC3400-MR210xA Bluetooth Low Energy Certification (end product) QD ID: [112092](#)
- Adaptive Frequency Hopping (AFH)
- Superior Sensitivity and Range

Table of Contents

Introduction.....	1
Features.....	1
1. Ordering Information and Module Marking.....	5
2. Block Diagram.....	6
3. Pinout and Package Information.....	7
3.1. Package Description.....	10
4. Electrical Characteristics.....	11
4.1. Absolute Maximum Ratings.....	11
4.2. Recommended Operating Conditions.....	11
4.3. DC Characteristics.....	12
4.4. IEEE 802.11 b/g/n Radio Performance.....	12
4.5. Bluetooth Radio Performance.....	14
5. Power Management.....	17
5.1. Device States.....	17
5.2. Controlling Device States.....	17
5.3. Power-Up/Down Sequence.....	18
5.4. Digital I/O Pin Behavior During Power-Up Sequences.....	19
6. Clocking.....	20
6.1. Low-Power Clock.....	20
7. CPU and Memory Subsystem.....	21
7.1. Processor.....	21
7.2. Memory Subsystem.....	21
7.3. Nonvolatile Memory (eFuse).....	21
8. WLAN Subsystem.....	23
8.1. MAC.....	23
8.2. PHY.....	24
8.3. Radio.....	24
9. Bluetooth Low Energy.....	26
10. External Interfaces.....	27
10.1. Interfacing with the Host Microcontroller.....	27
10.2. SPI Client Interface.....	28
10.3. UART Interface.....	30
10.4. I ² C Client Interface.....	31
11. Application Reference Design.....	33
11.1. Host Interface.....	33
12. Module Outline Drawings.....	35

13. Design Considerations.....	39
13.1. ATWINC3400-MR210CA.....	39
13.2. ATWINC3400-MR210UA External Antenna Connector.....	42
13.3. Reflow Profile Information.....	44
13.4. Module Assembly Considerations.....	44
13.5. Conformal Coating.....	44
14. Appendix A: Regulatory Approval.....	45
14.1. United States.....	45
14.2. Canada.....	47
14.3. Europe.....	49
14.4. Japan.....	50
14.5. Korea.....	50
14.6. Taiwan.....	51
14.7. China.....	52
14.8. Other Regulatory Information.....	52
15. Reference Documentation.....	53
16. Document Revision History.....	54
The Microchip Website.....	56
Product Change Notification Service.....	56
Customer Support.....	56
Microchip Devices Code Protection Feature.....	56
Legal Notice.....	57
Trademarks.....	57
Quality Management System.....	58
Worldwide Sales and Service.....	59

1. Ordering Information and Module Marking

The following table provides the ordering details for the ATWINC3400-MR210xA module.

Table 1-1. Ordering Details

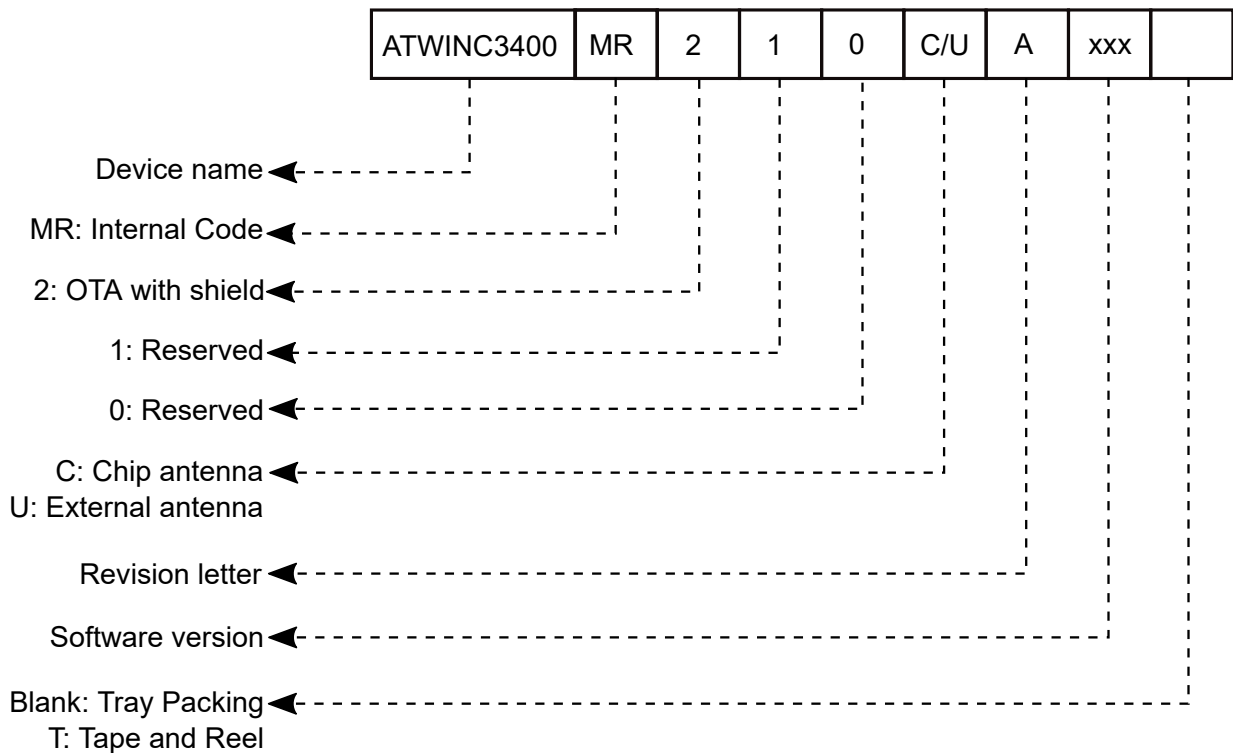
Model Number	Ordering Code	Package	Description	Regulatory Information
ATWINC3400-MR210CA	ATWINC3400-MR210CAxxx ⁽¹⁾	22.43 x 14.73 x 2.0 mm	Certified module with chip antenna	FCC, IC, CE, MIC, KCC, NCC, SRC
ATWINC3400-MR210UA	ATWINC3400-MR210UAxxx ⁽¹⁾	22.43 x 14.73 x 2.0 mm	Certified module with u.FL connector for an external antenna	FCC, IC, CE

Note:

- 'xxx' in the preceding table and following figure denotes the software version. For example, at the time of publish, the software is v1.22, so its equivalent order code is ATWINC3400-MR210CA122. The order code changes with the software version. For more information on the ordering code, refer to the [ATWINC3400 product page](#).

The following figure illustrates the ATWINC3400-MR210xA module marking information.

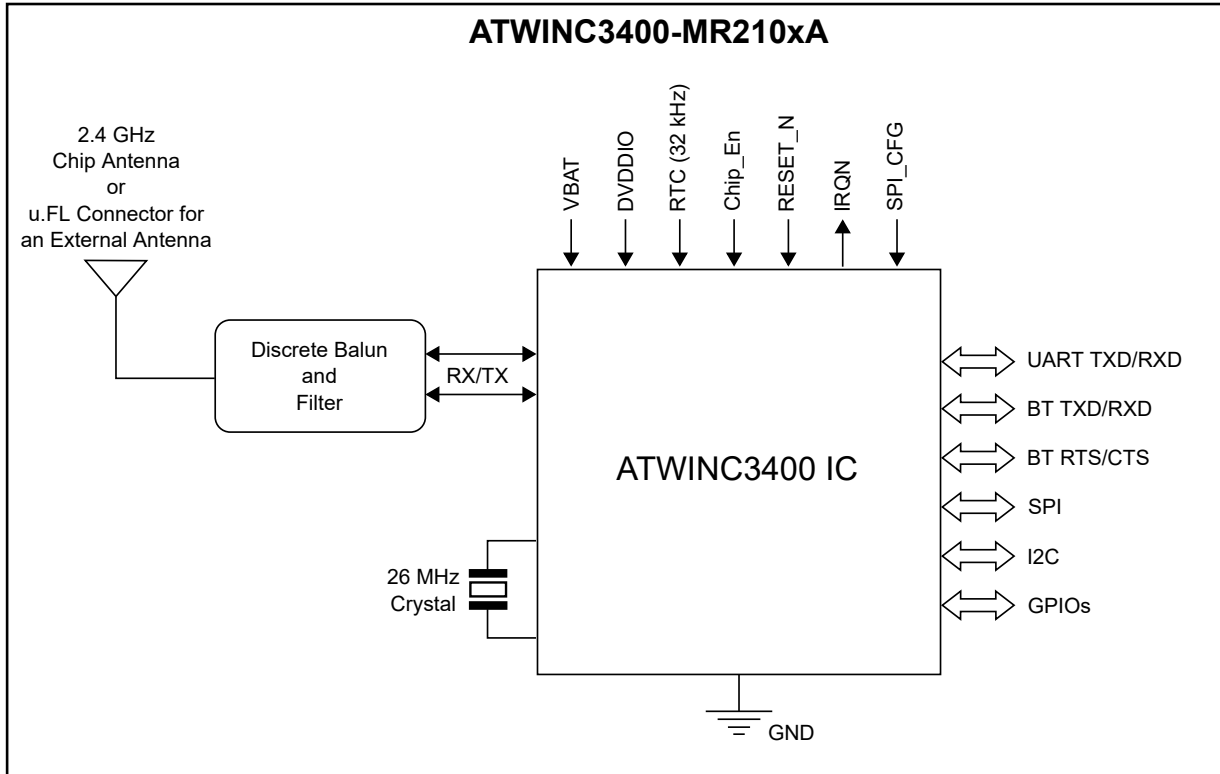
Figure 1-1. Marking Information



2. Block Diagram

The following figure shows the block diagram of the ATWINC3400-MR210xA module.

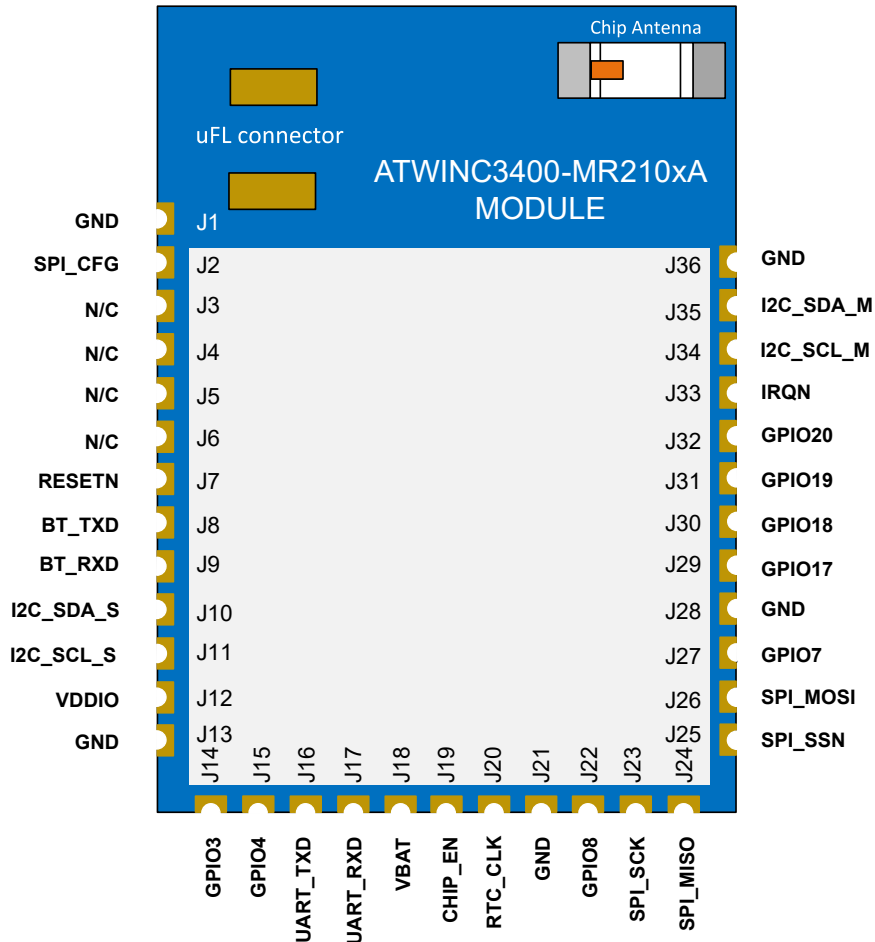
Figure 2-1. ATWINC3400-MR210xA Module Block Diagram



3. Pinout and Package Information

This package contains an exposed paddle that must be connected to the system board ground. The ATWINC3400-MR210xA module pin assignment is shown in the following figure. This package contains an exposed paddle, Pin 37, PADDLE VSS, that must be connected to the system board ground.

Figure 3-1. ATWINC3400-MR210xA Module Pin Assignment



The following table provides the ATWINC3400-MR210xA module pin description.

Table 3-1. ATWINC3400-MR210xA Module Pin Description

Pin #	Pin Name	Pin Type	Description
1	GND	GND	Ground pin
2	SPI_CFG	Digital Input	Serial Peripheral Interface pin, which must be tied to VDDIO
3	NC	—	No connection
4	NC	—	No connection
5	NC	—	No connection
6	NC	—	No connection

ATWINC3400-MR210xA

Pinout and Package Information

.....continued

Pin #	Pin Name	Pin Type	Description
7	RESETN	Digital Input	<ul style="list-style-type: none"> Active-low hard Reset pin When the Reset pin is asserted low, the module is in the Reset state. When the Reset pin is asserted high, the module functions normally This pin must connect to a host output that is low by default on power-up. If the host output is tri-stated, add a 1 MOhm pull-down resistor to ensure a low level at power-up
8	BT_TXD	Digital I/O, Programmable pull up	<ul style="list-style-type: none"> Bluetooth UART transmit data output pin Used only during debug for DTM interface. SPI is the data and control interface with the host Microcontroller It is recommended to add a test point for this pin
9	BT_RXD	Digital I/O, Programmable pull up	<ul style="list-style-type: none"> Bluetooth UART receive data input pin Used only during debug for the DTM interface. SPI is the data and control interface with the host Microcontroller Adding a test point for this pin is recommended
10	I2C_SDA_S	Digital I/O, Programmable pull up	<ul style="list-style-type: none"> I²C Client data pin Used only for test purposes. Adding a test point for this pin is recommended
11	I2C_SCL_S	Digital I/O, Programmable pull up	<ul style="list-style-type: none"> I²C Client clock pin Used only for test purposes. Adding a test point for this pin is recommended
12	VDDIO	Power	Digital I/O power supply
13	GND	GND	Ground pin
14	GPIO3	Digital I/O, Programmable pull up	General Purpose Input/Output pin ⁽¹⁾
15	GPIO4	Digital I/O, Programmable pull up	General Purpose Input/Output pin ⁽¹⁾
16	UART_TXD	Digital I/O, Programmable pull up	<ul style="list-style-type: none"> Wi-Fi UART TxD output pin Used only for debug development purposes. Adding a test point for this pin is recommended
17	UART_RXD	Digital I/O, Programmable pull up	<ul style="list-style-type: none"> Wi-Fi UART RxD input pin Used only for debug development purposes. Adding a test point for this pin is recommended
18	VBAT	Power	Power supply pin for DC/DC converter and PA

ATWINC3400-MR210xA

Pinout and Package Information

.....continued			
Pin #	Pin Name	Pin Type	Description
19	CHIP_EN	Digital Input	<ul style="list-style-type: none"> PMU enable pin When the CHIP_EN pin is asserted high, the module is enabled. When the CHIP_EN pin is asserted low, the module is disabled or put into Power-Down mode Connect to a host output that is low by default at power-up. If the host output is tri-stated, add a 1 MOhm pull-down resistor, if necessary, to ensure a low level at power-up
20	RTC_CLK	Digital I/O, Programmable pull up	<ul style="list-style-type: none"> RTC Clock input pin This pin must connect to a 32.768 kHz clock source
21	GND	GND	Ground pin
22	GPIO8	Digital I/O, Programmable pull up	General Purpose Input/Output pin ⁽¹⁾
23	SPI_SCK	Digital I/O, Programmable pull up	SPI clock pin
24	SPI_MISO	Digital I/O, Programmable pull up	SPI MISO (Host In Client Out) pin
25	SPI_SSN	Digital I/O, Programmable pull up	Active-low SPI SSN (Client Select) pin
26	SPI_MOSI	Digital I/O, Programmable pull up	SPI MOSI (Host Out Client In) pin
27	GPIO7	Digital I/O, Programmable pull up	General Purpose Input/Output pin ⁽¹⁾
28	GND	GND	Ground pin
29	GPIO17	Digital I/O, Programmable pull up	General Purpose Input/Output pin ⁽¹⁾
30	GPIO18	Digital I/O, Programmable pull up	General Purpose Input/Output pin ⁽¹⁾
31	GPIO19	Digital I/O, Programmable pull up	General Purpose Input/Output pin ⁽¹⁾
32	GPIO20	Digital I/O, Programmable pull up	General Purpose Input/Output pin ⁽¹⁾
33	IRQN	Digital output, Programmable pull up	<ul style="list-style-type: none"> ATWINC3400-MR210xA module host interrupt request output pin This pin must connect to a host interrupt pin
34	I2C_SCL_M	Digital I/O, Programmable pull up	I ² C Host clock pin
35	I2C_SDA_M	Digital I/O, Programmable pull up	I ² C Host data pin
36	GND	GND	Ground pin
37	PADDLE VSS	GND	Connect to the system board ground

Note:

1. Usage of the GPIO functionality is not supported by the firmware. The data sheet will be updated once the support for this feature is added.

3.1 Package Description

The following table provides the ATWINC3400-MR210xA module package dimensions.

Table 3-2. ATWINC3400-MR210xA Module Package Information

Parameter	Value	Unit
Pad count	37	—
Package size	22.43 x 14.73	mm
Total thickness	2.09	
Pad pitch	1.20	
Pad width	0.81	
Exposed pad size	4.4 x 4.4	

4. Electrical Characteristics

This chapter provides an overview of the electrical characteristics of the ATWINC3400-MR210xA module.

4.1 Absolute Maximum Ratings

The following table provides the absolute maximum ratings for the ATWINC3400-MR210xA module.

Table 4-1. ATWINC3400-MR210xA Module Absolute Maximum Ratings

Symbol	Parameter	Min.	Max.	Unit
VDDIO	I/O supply voltage	-0.3	5.0	V
VBAT	Battery supply voltage	-0.3	5.0	
V _{IN}	Digital input voltage	-0.3	VDDIO	
V _{AIN}	Analog input voltage	-0.3	1.5	
V _{ESDHBM}	Electrostatic discharge Human Body Model (HBM)	-1000, -2000 (see notes below)	+1000, +2000 (see notes below)	
T _A	Storage temperature	-65	150	°C
—	Junction temperature	—	125	
—	RF input power	—	23	dBm

1. V_{IN} corresponds to all the digital pins.
2. For V_{ESDHBM}, each pin is classified as Class 1, Class 2 or both:
 - 2.1. The Class 1 pins include all the pins (both analog and digital).
 - 2.2. The Class 2 pins include all digital pins only.
 - 2.3. V_{ESDHBM} is ±1 kV for Class 1 pins. V_{ESDHBM} is ±2 kV for Class 2 pins.



Stresses beyond those listed under “Absolute Maximum Ratings” cause permanent damage to the device. This is a stress rating only. The functional operation of the device at those or any other conditions above those indicated in the operation listings of this specification is not implied. Exposure to maximum rating conditions for extended periods affects the device reliability.

4.2 Recommended Operating Conditions

The following table provides the recommended operating conditions for the ATWINC3400-MR210xA module.

Table 4-2. ATWINC3400-MR210xA Module Recommended Operating Conditions

Symbol	Parameter	Min.	Typ.	Max.	Units
VDDIO	I/O supply voltage ⁽¹⁾	2.7	3.3	3.6	V
VBAT	Battery supply voltage ⁽²⁾⁽³⁾	3.0	3.3	4.2	V
—	Operating temperature	-40	—	85	°C

Notes:

1. I/O supply voltage is applied to the VDDIO pin.
2. Battery supply voltage is applied to the VBAT pin.
3. The ATWINC3400-MR210xA module is functional across this range of voltages; however, optimal RF performance is ensured for VBAT of 3.3V.

4.3 DC Characteristics

The following table provides the DC characteristics for the ATWINC3400-MR210xA module digital pads.

Table 4-3. DC Electrical Characteristics

Symbol	Parameter	Min	Typ	Max	Unit
V _{IL}	Input Low Voltage	-0.30	—	0.60	V
V _{IH}	Input High Voltage	VDDIO - 0.60	—	VDDIO + 0.30	
V _{OL}	Output Low Voltage	—	—	0.45	
V _{OH}	Output High Voltage	VDDIO - 0.50	—	—	
—	Output Load Capacitance	—	—	20	pF
—	Digital Input Load Capacitance	—	—	6	

4.4 IEEE 802.11 b/g/n Radio Performance

4.4.1 Receiver Performance

The receiver performance is tested under the following conditions:

- VBAT = 3.3V
- VDDIO = 3.3V
- Temp = 25°C
- Measured after RF matching network

The following table provides the receiver performance characteristics for the ATWINC3400-MR210xA module.

Table 4-4. IEEE 802.11 Receiver Performance Characteristics

Parameter	Description	Min.	Typ.	Max.	Unit
Frequency	—	2,412	—	2,484	MHz
Sensitivity 802.11b	1 Mbps DSSS	—	-95.0	—	dBm
	2 Mbps DSSS	—	-94.0	—	
	5.5 Mbps DSSS	—	-90.0	—	
	11 Mbps DSSS	—	-86.0	—	

.....continued

Parameter	Description	Min.	Typ.	Max.	Unit
Sensitivity 802.11g	6 Mbps OFDM	—	-90.0	—	dBm
	9 Mbps OFDM	—	-89.0	—	
	12 Mbps OFDM	—	-87.0	—	
	18 Mbps OFDM	—	-85.0	—	
	24 Mbps OFDM	—	-82.0	—	
	36 Mbps OFDM	—	-79.0	—	
	48 Mbps OFDM	—	-75.0	—	
	54 Mbps OFDM	—	-73.0	—	
Sensitivity 802.11n (BW = 20 MHz, 800 ns GI)	MCS 0	—	-89.0	—	dBm
	MCS 1	—	-87.0	—	
	MCS 2	—	-84.0	—	
	MCS 3	—	-82.0	—	
	MCS 4	—	-78.0	—	
	MCS 5	—	-75.0	—	
	MCS 6	—	-73.0	—	
	MCS 7	—	-71.0	—	
Maximum receive signal level	1-11 Mbps DSSS	—	0	—	dBm
	6-54 Mbps OFDM	—	0	—	
	MCS 0 – 7 (800 ns GI)	—	0	—	
Adjacent channel rejection	1 Mbps DSSS (30 MHz offset)	—	50	—	dB
	11 Mbps DSSS (25 MHz offset)	—	43	—	
	6 Mbps OFDM (25 MHz offset)	—	40	—	
	54 Mbps OFDM (25 MHz offset)	—	25	—	
	MCS 0 – 20 MHz BW (25 MHz offset)	—	40	—	
	MCS 7 – 20 MHz BW (25 MHz offset)	—	20	—	

4.4.2 Transmitter Performance

The transmitter performance is tested under the following conditions:

- VBAT = 3.3V
- VDDIO = 3.3V
- Temp = 25°C

The following table provides the transmitter performance characteristics for the ATWINC3400-MR210xA module.

Table 4-5. IEEE 802.11 Transmitter Performance Characteristics

Parameter	Description	Minimum	Typical	Max.	Unit
Frequency	—	2,412	—	2,484	MHz

.....continued

Parameter	Description	Minimum	Typical	Max.	Unit
Output power	802.11b 1 Mbps	—	16.7 ⁽¹⁾	—	dBm
	802.11b 11 Mbps	—	17.5 ⁽¹⁾	—	
	802.11g OFDM 6 Mbps	—	18.3 ⁽¹⁾	—	
	802.11g OFDM 54 Mbps	—	13.0 ⁽¹⁾	—	
	802.11n HT20 MCS 0 (800 ns GI)	—	17.5 ⁽¹⁾	—	
	802.11n HT20 MCS 7 (800 ns GI)	—	12.5 ⁽¹⁾⁽²⁾	—	
TX power accuracy	—	—	±1.5 ⁽³⁾	—	dB
Carrier suppression	—	—	30.0	—	dBc
Harmonic output power (Radiated, Regulatory mode)	2 nd	—	—	-41	dBm/MHz
	3 rd	—	—	-41	

Notes:

1. Measured as per IEEE 802.11 specifications.
2. The typical output power is 10 dBm only for channel-10 (2.457 GHz). Values mentioned in the preceding table are applicable for all the other channels.
3. Measured after RF matching network.
4. The operating temperature range is -40°C to +85°C. RF performance is ensured at a room temperature of 25°C with a 2-3 dB change at the boundary conditions.
5. With respect to TX power, different (higher/lower) RF output power settings may be used for specific antennas and/or enclosures, in which case re-certification may be required.
6. The availability of some specific channels and/or operational frequency bands are country-dependent and must be programmed at the host product factory to match the intended destination. Regulatory bodies prohibit exposing the settings to the end user. This requirement needs to be taken care of via the host implementation.
7. The RF parameters for the ATWINC3400-MR210UA are approximately 1 dB less than the values in the table. This insertion loss accounts for PCB trace losses, and the filter network loss to the U.FL connector.

4.5 Bluetooth Radio Performance

4.5.1 Receiver Performance

The receiver performance is tested under the following conditions:

- VBAT = 3.3V
- VDDIO = 3.3V
- Temp: 25°C
- Measured after RF matching network

The following table provides the Bluetooth receiver performance characteristics for the ATWINC3400-MR210xA module.

Table 4-6. Bluetooth Receiver Performance Characteristics

Parameter	Description	Min.	Typ.	Max.	Unit
Frequency	—	2,402	—	2,480	MHz
Sensitivity (ideal Tx)	Bluetooth Low Energy (GFSK)	—	-92.5	—	dBm
Maximum receive signal level	Bluetooth Low Energy (GFSK)	—	-2	—	

.....continued

Parameter	Description	Min.	Typ.	Max.	Unit
Interference performance (Bluetooth Low Energy)	Co-channel	—	9	—	dB
	adjacent + 1 MHz	—	-4	—	
	adjacent - 1 MHz	—	-2	—	
	adjacent + 2 MHz (image frequency)	—	-24	—	
	adjacent - 2 MHz	—	-25	—	
	adjacent + 3 MHz (adjacent to image)	—	-27	—	
	adjacent - 3 MHz	—	-27	—	
	adjacent + 4 MHz	—	-28	—	
	adjacent - 4 MHz	—	-27	—	
	adjacent + 5 MHz	—	-27	—	
	adjacent - 5 MHz	—	-27	—	

4.5.2 Transmitter Performance

The transmitter performance is tested under the following conditions:

- VBAT = 3.3V
- VDDIO = 3.3V
- Temp: 25°C
- Measured after RF matching network

The following table provides the Bluetooth transmitter performance characteristics for the ATWINC3400-MR210xA module.

Table 4-7. Bluetooth Transmitter Performance Characteristics

Parameter	Description	Min.	Typ.	Max.	Unit
Frequency	—	2,402	—	2,480	MHz
Output power	Bluetooth Low Energy (GFSK)	—	3.3	3.8	dBm
In-band spurious emission (Bluetooth Low Energy)	N + 2 (Image frequency)	—	-33	—	
	N + 3 (Adjacent to image frequency)	—	-32	—	
	N - 2	—	-48	—	
	N - 3	—	-47	—	

Notes:

1. Measured after RF matching network.
2. The operating temperature range is -40°C to $+85^{\circ}\text{C}$. RF performance is ensured at a room temperature of 25°C with a 2-3 dB change at the boundary conditions.
3. With respect to TX power, different (higher/lower) RF output power settings may be used for specific antennas and/or enclosures, in which case re-certification may be required.
4. The availability of some specific channels and/or operational frequency bands are country-dependent and must be programmed at the host product factory to match the intended destination. Regulatory bodies prohibit exposing the settings to the end user. This requirement needs to be taken care of via the host implementation.
5. The RF parameters for the ATWINC3400-MR210UA are approximately 1 dB less than the values in the table. This insertion loss accounts for PCB trace losses and the filter network loss to the u.FL connector.

5. Power Management

5.1 Device States

The ATWINC3400-MR210xA module has multiple device states, based on the state of the IEEE 802.11 and Bluetooth subsystems. It is possible for both subsystems to be active at the same time. To simplify the device power consumption breakdown, the following basic states are defined. One subsystem can be active at a time:

- WiFi_ON_Transmit – Device actively transmits IEEE 802.11 signal
- WiFi_ON_Receive – Device actively receives IEEE 802.11 signal
- BT_ON_Transmit – Device actively transmits Bluetooth signal
- BT_ON_Receive – Device actively receives Bluetooth signal
- Doze – Device is powered on but it does not actively transmit or receive data
- Power_Down – Device core supply is powered off

5.2 Controlling Device States

The following table shows different device states and their power consumption for the ATWINC3400-MR210xA . The device states can be switched using the following:

- CHIP_EN – Module pin (pin 19) enables or disables the DC/DC converter
- VDDIO – I/O supply voltage from external supply

In the ON states, VDDIO is ON and CHIP_EN is high (at VDDIO voltage level). To change from the ON states to Power_Down state, connect the RESETN and CHIP_EN pin to logic low (GND) by following the power-down sequence mentioned in [Figure 5-1](#). When VDDIO is OFF and CHIP_EN is low, the chip is powered off with no leakage.

Table 5-1. Device States Current Consumption

Device State	Code Rate	Output Power (dBm)	Current Consumption ⁽¹⁾	
			I _{VBAT}	I _{VDDIO}
ON_WiFi_Transmit	802.11b 1 Mbps	16.7	271 mA	24 mA
	802.11b 11 Mbps	17.5	265 mA	24 mA
	802.11g 6 Mbps	18.3	275 mA	24 mA
	802.11g 54 Mbps	13.0	235 mA	24 mA
	802.11n MCS 0	17.5	272 mA	24 mA
	802.11n MCS 7	12.5	232 mA	24 mA
ON_WiFi_Receive	802.11b 1 Mbps	N/A	63.9 mA	23.7 mA
	802.11b 11 Mbps	N/A	63.9 mA	23.7 mA
	802.11g 6 Mbps	N/A	63.9 mA	23.7 mA
	802.11g 54 Mbps	N/A	63.9 mA	23.7 mA
	802.11n MCS 0	N/A	63.9 mA	23.7 mA
	802.11n MCS 7	N/A	63.9 mA	23.7 mA
ON_BT_Transmit	BLE 1 Mbps	3.3	79.37 mA	23.68 mA
ON_BT_Receive	BLE 1 Mbps	N/A	51.36 mA	23.68 mA

.....continued

Device State	Code Rate	Output Power (dBm)	Current Consumption ⁽¹⁾	
			I _{VBAT}	I _{VDDIO}
Doze (Bluetooth Low Energy Idle)	N/A	N/A	53 mA ⁽²⁾	
Doze (Bluetooth Low Energy Low Power)	N/A	N/A	1 mA ⁽²⁾	
Power_Down	N/A	N/A	10.5 uA ⁽²⁾	

Notes:

- Conditions: VBAT = 3.3V, VDDIO = 3.3V, at 25°C.
- Current consumption mentioned for these states is the sum of current consumed in VDDIO and VBAT voltage rails.

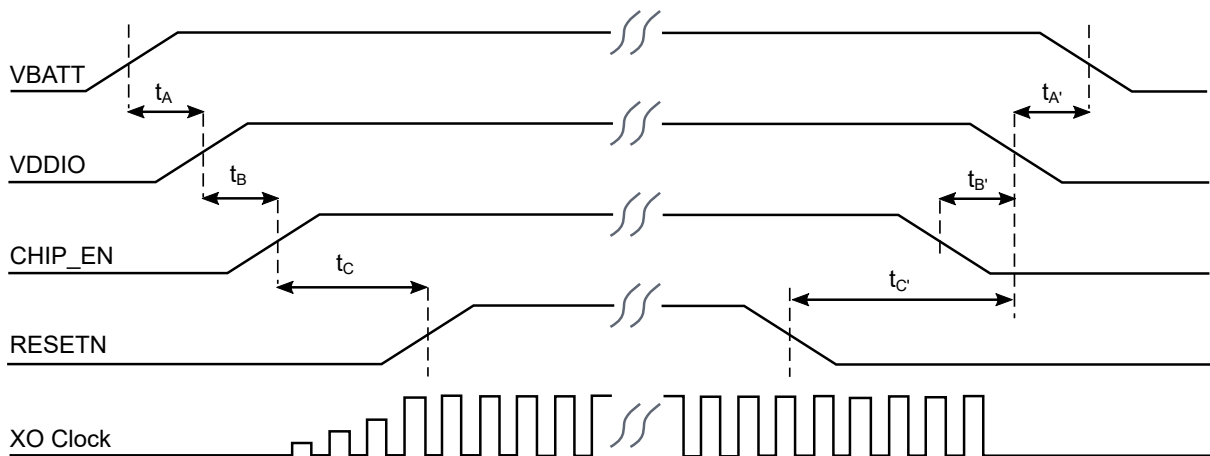
When power is not supplied to the device (DC/DC converter output and VDDIO are OFF, at ground potential), voltage cannot be applied to the ATWINC3400-MR210xA module pins because each pin contains an ESD diode from the pin to supply. This diode turns on when voltage higher than one diode-drop is supplied to the pin.

If voltage must be applied to the signal pads when the chip is in a low-power state, the VDDIO supply must be ON, so the Power_Down state must be used. Similarly, to prevent the pin-to-ground diode from turning ON, do not apply voltage that is more than one diode-drop below the ground to any pin.

5.3 Power-Up/Down Sequence

The following figure illustrates the power-up/down sequence for the ATWINC3400-MR210xA.

Figure 5-1. Power-Up/Down Sequence



The following table provides power-up/down sequence timing parameters.

Table 5-2. Power-Up/Down Sequence Timing

Parameter	Min.	Max.	Units	Description	Notes
t _A	0	—	ms	VBAT rise to VDDIO rise	VBAT and VDDIO can rise simultaneously or connected together. VDDIO must not rise before VBAT.
t _B	0	—	ms	VDDIO rise to CHIP_EN rise	CHIP_EN must not rise before VDDIO. CHIP_EN must be driven high or low and must not be left floating.

.....continued

Parameter	Min.	Max.	Units	Description	Notes
t _C	5	—	ms	CHIP_EN rise to RESETN rise	This delay is required to stabilize the XO clock before RESETN removal. RESETN must be driven high or low and must not be left floating.
t _A	0	—	ms	VDDIO fall to VBAT fall	VBAT and VDDIO must fall simultaneously or be connected together. VBAT must not fall before VDDIO.
t _B	0	—	ms	CHIP_EN fall to VDDIO fall	VDDIO must not fall before CHIP_EN. CHIP_EN and RESETN must fall simultaneously.
t _C	0	—	ms	RESETN fall to VDDIO fall	VDDIO must not fall before RESETN. RESETN and CHIP_EN fall simultaneously.

5.4 Digital I/O Pin Behavior During Power-Up Sequences

The following table represents the digital I/O pin states corresponding to the device power modes.

Table 5-3. Digital I/O Pin Behavior in Different Device States

Device State	VDDIO	CHIP_EN	RESETN	Output Driver	Input Driver	Pull Up/Down Resistor (96 kOhm)
Power_Down: core supply OFF	High	Low	Low	Disabled (Hi-Z)	Disabled	Disabled
Power-On Reset: core supply and hard reset ON	High	High	Low	Disabled (Hi-Z)	Disabled	Enabled
Power-On Default: core supply ON, device out of reset and not programmed	High	High	High	Disabled (Hi-Z)	Enabled	Enabled
On_Doze/ On_Transmit/ On_Receive: core supply ON, device programmed by firmware	High	High	High	Programmed by firmware for each pin: enabled or disabled	Opposite of Output Driver state	Programmed by firmware for each pin: enabled or disabled

6. Clocking

6.1 Low-Power Clock

The ATWINC3400-MR210xA module requires an external 32.768 kHz clock to be supplied at the module pin 20. This clock is used during the sleep operation. The frequency accuracy of this external clock must be within ± 200 ppm.

7. CPU and Memory Subsystem

7.1 Processor

The ATWINC3400-MR210xA module has two Cortus APS3 32-bit processors, one is used for Wi-Fi and the other is used for Bluetooth. In IEEE 802.11 mode, the processor performs many of the MAC functions, including but not limited to: association, authentication, power management, security key management and MSDU aggregation/de-aggregation. In addition, the processor provides flexibility for various modes of operation, such as Station (STA) and Access Point (AP) modes. In Bluetooth mode, the processor handles multiple tasks of the Bluetooth protocol stack.

7.2 Memory Subsystem

The APS3 core uses a 256 KB instruction/boot ROM (160 KB for IEEE 802.11 and 96 KB for Bluetooth) along with a 420 KB instruction RAM (128 KB for IEEE 802.11 and 292 KB for Bluetooth), and a 128 KB data RAM (64 KB for IEEE 802.11 and 64 KB for Bluetooth). In addition, the device uses a 160 KB shared/exchange RAM (128 KB for IEEE 802.11 and 32 KB for Bluetooth), accessible by the processor and MAC, which allows the processor to perform various data management tasks on the Tx and Rx data packets.

7.3 Nonvolatile Memory (eFuse)

The ATWINC3400-MR210xA modules have 768 bits of nonvolatile eFuse memory that can be read by the CPU after a device reset. The eFuse is partitioned into six 128-bit banks (Bank 0 – Bank 5). Each bank has the same bit map (see the following figure). The purpose of the first 108 bits in each bank is fixed, and the remaining 20 bits are general-purpose software dependent bits, or reserved for future use. Currently, the Bluetooth address is derived from the Wi-Fi MAC address such that the Bluetooth address = Wi-Fi MAC address + 1.

Note: If IQ Amp Used, IQ Amp Correction, IQ Pha Used, and IQ Pha Correction bit fields are programmed, Bank 0 and Bank 1 must not be programmed with any values, and only the Bank Invalid bit must be programmed.

This nonvolatile one-time-programmable (OTP) memory can be used for storing the following customer-specific parameters:

- MAC address
- Calibration information (crystal frequency offset (XO offset) and so on)
- Other software-specific configuration parameters

Each bank can be programmed independently, which allows for several updates of the device parameters following the initial programming. For example, if the MAC address is currently programmed in Bank 3, and to update the new MAC address, perform the following steps:

1. Invalidate the contents of Bank 3 by programming the Bank Invalid bit field of Bank 3.
2. Program Bank 4 with the new MAC address along with the values of ADC Calib (if used in Bank 3), Frequency Offset (from Bank 3), IQ Amp Correction (from Bank 3) and IQ Pha Correction (from Bank 3). The Used bit field for each corresponding value bit field must also be programmed.
3. Validate the contents of Bank 4 by programming the Bank Used bit field of Bank 4.

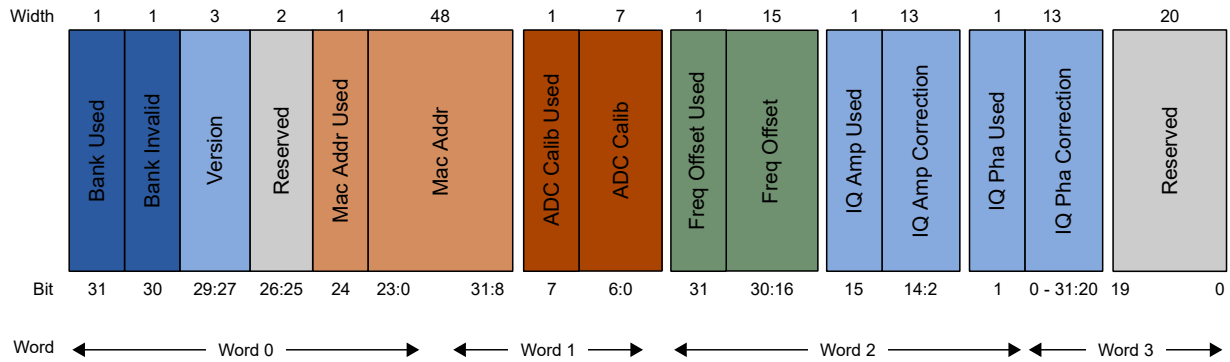
Each bit field (i.e., MAC Address, ADC Calibration, Frequency Offset, IQ Amp Correction, and IQ Pha Correction) has its corresponding Used bit field. Each Used bit field indicates to the firmware that the value in the related bit field is valid. A value of '0' in the Used bit field indicates that the following bit field is invalid and a value of '1' programmed to the Used bit field indicates that the corresponding bit field is valid and can be used by firmware.

By default, all the ATWINC3400-MR210xA modules are programmed with the MAC address, Frequency Offset bits, IQ Amp and IQ Phase fields of Bank 3.

ATWINC3400-MR210xA

CPU and Memory Subsystem

Figure 7-1. Bitmap for ATWINC3400-MR210xA eFuse Bank



Note: The bit map has been updated with the IQ Amp Correction and IQ Pha Correction fields from firmware version 1.4 onwards. Earlier, these bit fields were reserved for future use. For customers using firmware older than 1.4, the IQ Amp Correction and IQ Pha Correction bit fields will not be used by the firmware.

The matrix table below provides details on how different versions of the firmware would handle the IQ Amp Used, IQ Amp Correction, IQ Pha Used and IQ Pha Correction bit fields during Initialization.

Firmware Version Used by Customer	IQ Amp Used and IQ Pha Used Bit Status	
	Device with IQ Amp Used and IQ Pha Used Bits with Value '1'	Device with IQ Amp Used and IQ Pha Used Bits with Value '0'
1.4 or later	The firmware loads the IQ calibration values from the IQ Amp Correction and IQ Pha Correction bit fields of the corresponding eFuse bank and proceeds with Initialization.	The firmware ignores the values in the IQ Amp Correction and IQ Pha Correction bit fields and proceeds with Initialization.
Prior to 1.4	The firmware does not check for the IQ Amp Used and IQ Pha Used bit fields and proceeds with Initialization.	

8. WLAN Subsystem

The WLAN subsystem is composed of the Media Access Controller (MAC), Physical Layer (PHY) and the radio.

8.1 MAC

The ATWINC3400-MR210xA module is designed to operate at low power, while providing high data throughput. The IEEE 802.11 MAC functions are implemented with a combination of dedicated datapath engines, hardwired control logic and a low power, high-efficiency microprocessor. The combination of dedicated logic with a programmable processor provides optimal power efficiency and real-time response while providing the flexibility to accommodate evolving standards and future feature enhancements.

The dedicated datapath engines are used to implement datapath functions with heavy computational requirements. For example, a Frame Check Sequence (FCS) engine checks the Cyclic Redundancy Check (CRC) of the transmitting and receiving packets, and a cipher engine performs all the required encryption and decryption operations for the WEP, WPA-TKIP and WPA2 CCMP-AES security requirements.

Control functions, which have real-time requirements, are implemented using hardwired control logic modules. These logic modules offer real-time response while maintaining configurability through the processor. Examples of hardwired control logic modules are the channel access control module (implements EDCA/HCCA, Beacon TX control, interframe spacing and so on), protocol timer module (responsible for the Network Access vector, back-off timing, timing synchronization function and slot management), MAC Protocol Data Unit (MPDU) handling module, aggregation/deaggregation module, block ACK controller (implements the protocol requirements for burst block communication) and TX/RX control Finite State Machine (FSM) (coordinates data movement between PHY and MAC interface, cipher engine and the Direct Memory Access (DMA) interface to the TX/RX FIFOs).

The following are the characteristics of the MAC functions implemented solely in the software on the microprocessor:

- Functions with high memory requirements or complex data structures. Examples include association table management and power save queuing.
- Functions with low computational load or without critical real-time requirements. Examples include authentication and association.
- Functions that require flexibility and upgradeability. Examples include beacon frame processing and QoS scheduling.

Features

The ATWINC3400-MR210xA MAC supports the following functions:

- IEEE 802.11b/g/n
- IEEE 802.11e WMM QoS EDCA/HCCA/PCF multiple access categories traffic scheduling
- Advanced IEEE 802.11n features:
 - Transmission and reception of aggregated MPDUs (A-MPDU)
 - Transmission and reception of aggregated MSDUs (A-MSDU)
 - Immediate block acknowledgment
 - Reduced Interframe Spacing (RIFS)
- IEEE 802.11i and WPA security with key management:
 - WEP 64/128
 - WPA-TKIP
 - 128-bit WPA2 CCMP (AES)
- Advanced power management:
 - Standard IEEE 802.11 power save mode
- RTS-CTS and CTS-self support
- Either STA or AP mode in the infrastructure basic service set mode

8.2 PHY

The ATWINC3400-MR210xA module WLAN PHY is designed to achieve the reliable and power-efficient physical layer communication specified by the IEEE 802.11 b/g/n in single stream mode with 20 MHz bandwidth. The advanced algorithms are used to achieve maximum throughput in a real-world communication environment with impairments and interference. The PHY implements all the required functions such as Fast Fourier Transform (FFT), filtering, Forward Error Correction (FEC) that is a Viterbi decoder, frequency, timing acquisition and tracking, channel estimation and equalization, carrier sensing, clear channel assessment and automatic gain control.

Features

The IEEE 802.11 PHY supports the following functions:

- Single antenna 1x1 stream in 20 MHz channels
- Supports IEEE 802.11b DSSS-CCK modulation: 1, 2, 5.5 and 11 Mbps
- Supports IEEE 802.11g OFDM modulation: 6, 9, 12, 18, 24, 36, 48 and 54 Mbps
- Supports IEEE 802.11n HT modulations MCS0-7, 20 MHz, 800 and 400 ns guard interval: 6.5, 7.2, 13.0, 14.4, 19.5, 21.7, 26.0, 28.9, 39.0, 43.3, 52.0, 57.8, 58.5, 65.0 and 72.2 Mbps⁽¹⁾
- IEEE 802.11n mixed mode operation
- Per packet TX power control
- Advanced channel estimation/equalization, automatic gain control, CCA, carrier/symbol recovery and frame detection

Note:

1. Short GI is currently not supported by the firmware. The data sheet will be updated when the feature is supported.

8.3 Radio

This section presents information describing the properties and characteristics of the ATWINC3400-MR210xA and Wi-Fi radio transmit and receive performance capabilities of the device.

The performance measurements are taken at the RF pin assuming 50Ω impedance; the RF performance is ensured for a room temperature of 25°C with a derating of 2-3 dB at the boundary conditions.

The measurements were taken under typical conditions: VBATT = 3.3V; VDDIO = 3.3V; temperature: +25°C

Table 8-1. Features and Properties

Feature	Description
Part Number	ATWINC3400-MR210xA
WLAN Standard	IEEE 802.11 b/g/n, Wi-Fi Compliant
Host Interface	SPI
Dimension	22.4 x 14.7 x 2.0 mm
Frequency Range	2.412 GHz ~ 2.472 GHz (2.4 GHz ISM Band)
Number of Channels	11 for North America and 13 for Europe and Japan
Modulation	802.11b: DQPSK, DBPSK, CCK 802.11g/n: OFDM /64-QAM, 16-QAM, QPSK, BPSK
Data Rate	802.11b: 1, 2, 5.5, 11 Mbps 802.11g: 6, 9, 12, 18, 24, 36, 48, 54 Mbps
Data Rate (20 MHz, normal GI, 800 ns)	802.11n: 6.5, 13, 19.5, 26, 39, 52, 58.5, 65 Mbps

ATWINC3400-MR210xA

WLAN Subsystem

.....continued

Feature	Description
Data Rate (20 MHz, short GI, 400 ns) ⁽¹⁾	802.11n: 7.2, 14.4, 21.7, 28.9, 43.3, 57.8, 65,72.2 Mbps
Operating Temperature	-40 to +85°C

Note:

1. Currently, short GI is not supported by the firmware. The data sheet will be updated when the feature is supported.

9. Bluetooth Low Energy

The Bluetooth subsystem implements all the mission critical real-time functions. It encodes/decodes HCI packets, constructs baseband data packages; and manages and monitors the connection status, slot use, data flow, routing, segmentation and buffer control. The Bluetooth subsystem supports Bluetooth Low Energy modes of operation.

The following advanced low energy applications are supported:

- Smart energy
- Consumer wellness
- Home automation
- Security
- Proximity detection
- Entertainment
- Sports and fitness
- Automotive

Coexistence Mechanism

The ATWINC3400-MR210xA supports simultaneous use of both Bluetooth Low Energy and Wi-Fi via a coexistence mechanism that allows the protocols to share the same radio. The radio defaults to Wi-Fi use until a Bluetooth Low Energy event occurs (such as connection or advertising), in which case the radio is gracefully switched over for Bluetooth Low Energy use. For the duration of the Bluetooth Low Energy event, the radio is switched back and forth between Wi-Fi and Bluetooth Low Energy, as demanded by the Bluetooth Low Energy activity, before returning to Wi-Fi until the next Bluetooth Low Energy event.

10. External Interfaces

The ATWINC3400-MR210CA external interfaces include:

- I²C for debugging
- SPI for control and data transfer
- UART for debugging
- General Purpose Input/Output pins⁽¹⁾

Note:

1. Usage of the GPIO functionality is not supported by the ATWINC3400 firmware. The data sheet will be updated once the support for this feature is added.

10.1 Interfacing with the Host Microcontroller

This section describes interfacing the ATWINC3400-MR210xA module with the host microcontroller. The interface is comprised of a client SPI and additional control signals, as shown in the following figure. For more information on SPI interface specification and timing, refer to the SPI Interface. Additional control signals are connected to the GPIO/IRQ interface of the microcontroller.

Figure 10-1. Interfacing with Host Microcontroller

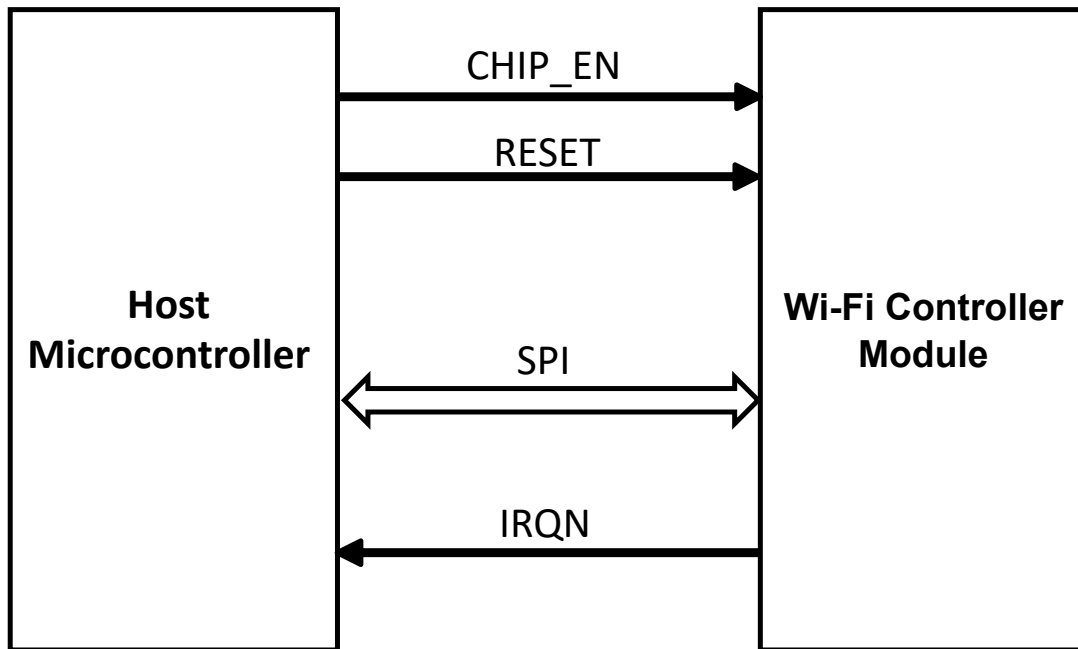


Table 10-1. Host Microcontroller Interface Pins

Pin Number	Pin Name
7	RESETN
33	IRQN
19	CHIP_EN
25	SPI_SSN
26	SPI_MOSI
24	SPI_MISO

.....continued	
Pin Number	Pin Name
23	SPI_SCK

10.2 SPI Client Interface

10.2.1 Overview

The ATWINC3400-MR210xA has a Serial Peripheral Interface (SPI) that operates as an SPI client. The SPI interface can be used for control and for serial I/O of 802.11 and Bluetooth Low Energy data. The SPI pins are mapped as shown in the following table. The SPI is a full-duplex, client-synchronous serial interface that is available immediately following a Reset when pin 2 (SPI_CFG) is tied to VDDIO.

Table 10-2. SPI Interface Pin Mapping

Pin #	SPI function
2	CFG: Must be tied to VDDIO
25	SSN: Active-Low Client Select
26	MOSI(RXD): Serial Data Receive
23	SCK: Serial Clock
24	MISO(TXD): Serial Data Transmit

When the SPI is not selected, that is, when the SSN is high, the SPI interface will not interfere with data transfers between the serial-host and other serial-client devices. When the serial-client is not selected, its transmitted data output is buffered, resulting in a high impedance drive onto the MISO line.

The SPI interface responds to a protocol that allows an external host to read or write any register in the chip, as well as, initiate DMA transfers.

The SPI SSN, MOSI, MISO and SCK pins of the ATWINC3400-MR210xA have internal programmable pull-up resistors. These resistors must be programmed to be disabled; otherwise, if any of the SPI pins are driven to a low level while the ATWINC3400-MR210xA is in the low-power sleep state, the current will flow from the VDDIO supply through the pull-up resistors, increasing the current consumption of the module.

10.2.2 SPI Timing

The SPI Client interface supports four standard modes as determined by the Clock Polarity (CPOL) and Clock Phase (CPHA) settings. These modes are illustrated in the following table and figure.

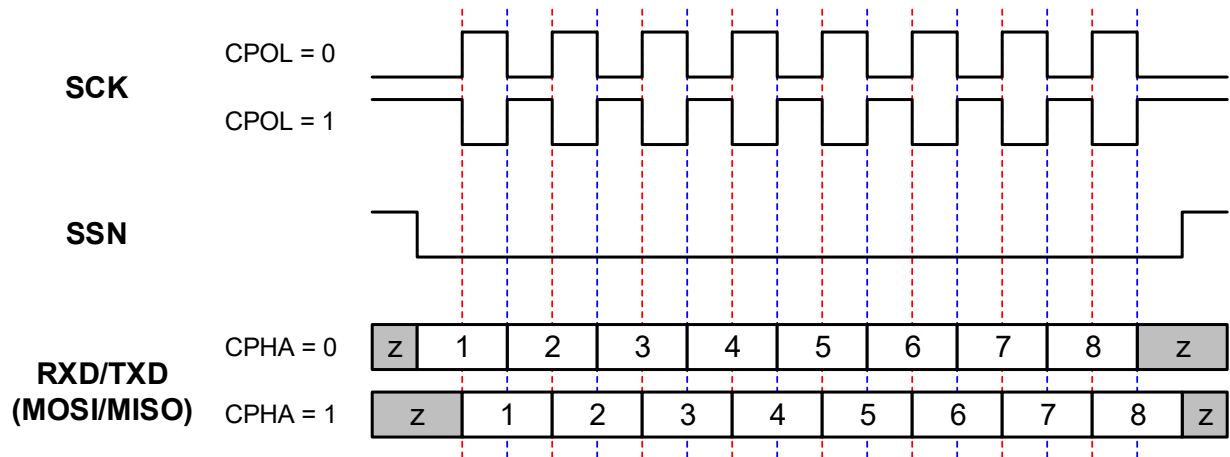
Table 10-3. SPI Client Modes

Mode	CPOL	CPHA
0	0	0
1	0	1
2	1	0
3	1	1

Note: The ATWINC3400-MR210xA firmware uses “SPI MODE 0” to communicate with the host.

The red lines in the following figure correspond to Clock Phase = 0 and the blue lines correspond to Clock Phase = 1.

Figure 10-2. SPI Client Clock Polarity and Clock Phase Timing



The SPI timing is provided in the following figure and table.

Figure 10-3. SPI Timing Diagram (SPI Mode CPOL = 0, CPHA = 0)

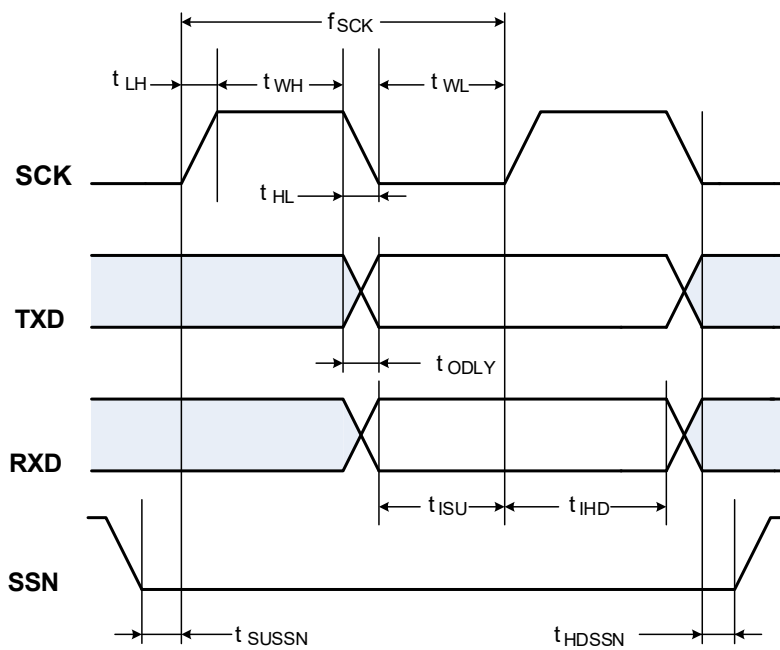


Table 10-4. SPI Client Timing Parameters⁽¹⁾

Parameter	Symbol	Min.	Max.	Units
Clock Input Frequency ⁽²⁾	f_{SCK}	—	48	MHz

.....continued

Parameter	Symbol	Min.	Max.	Units
Clock Low Pulse Width	t_{WL}	4	—	ns
Clock High Pulse Width	t_{WH}	5	—	
Clock Rise Time	t_{LH}	0	7	
Clock Fall Time	t_{HL}	0	7	
TXD Output Delay ⁽³⁾	t_{ODLY}	4	9 from SCK fall	
RXD Input Setup Time	t_{ISU}	1	—	
RXD Input Hold Time	t_{IHD}	5	—	
SSN Input Setup Time	t_{SUSSN}	3	—	
SSN Input Hold Time	t_{HDSSN}	5.5	—	

Notes:

1. The timing is applicable to all SPI modes.
2. The maximum clock frequency specified is limited by the SPI Client interface internal design; the actual maximum clock frequency can be lower and depends on the specific PCB layout.
3. The timing is based on 15 pF output loading. Under all conditions, $t_{LH} + t_{WH} + t_{HL} + t_{WL}$ must be less than or equal to $1/f_{SCK}$.

10.3 UART Interface

The ATWINC3400-MR210xA supports the Universal Asynchronous Receiver/Transmitter (UART) interface. Wi-Fi and Bluetooth Low Energy interfaces must be used for debug purposes only. Wi-Fi UART pins are available on pins 16 (TXD) and 17 (RXD). Bluetooth Low Energy UART pins are available on pins 8 (TXD) and 9 (RXD). The UART is compatible with the RS-232 standard.

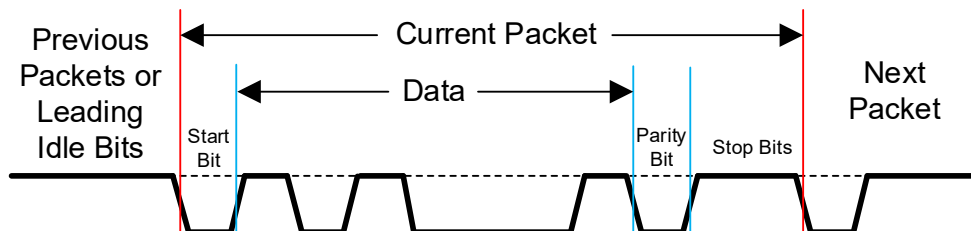
The default configuration for accessing the Wi-Fi UART interface of the ATWINC3400-MR210xA is mentioned below:

- Baud rate: 460800
- Data: 8-bit
- Parity: None
- Stop bit: 1-bit
- Flow control: None

It also has RX and TX FIFOs, which ensure reliable high-speed reception and low software overhead transmission. FIFO size is 4 x 8 for both RX and TX direction. The UART also has status registers showing the number of received characters available in the FIFO and various error conditions, as well as, the ability to generate interrupts based on these status bits.

An example of the UART receiving or transmitting a single packet is shown in the following figure. This example shows 7-bit data (0x45), odd parity and two stop bits.

Figure 10-4. Example of UART RX of TX Packet



10.4 I²C Client Interface

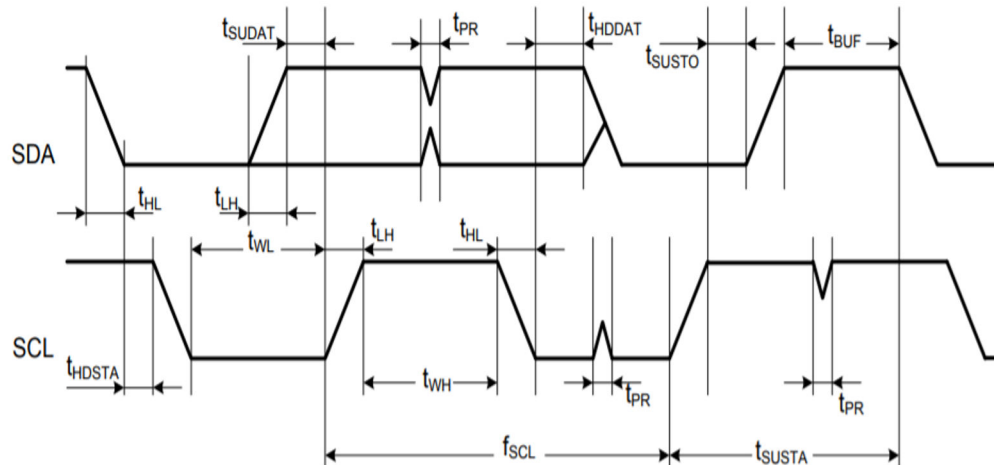
The I²C client interface is a two-wire serial interface consisting of a serial data line (SDA) on module Pin 10 and a serial clock line (SCL) on module Pin 11. This interface is used for debugging of ATWINC3400-MR210xA modules. The I²C client responds to the seven bit address value 0x60. The ATWINC3400-MR210xA I²C supports I²C bus version 2.1 - 2000 and can operate in Standard mode (with data rates up to 100 Kb/s) and Fast mode (with data rates up to 400 Kb/s).

Note: For specific information on I²C bus, refer to Philips Specification entitled “The I²C-Bus Specification, Version 2.1”. The I²C client is a synchronous serial interface. The SDA line is a bidirectional signal and changes only while the SCL line is low, except for STOP, START, and RESTART conditions. The output drivers are open-drain to perform wire-AND functions on the bus. The maximum number of devices on the bus is limited by only the maximum capacitance specification of 400 pF. Data is transmitted in byte packages.

10.4.1 I²C Client Timing

The I²C Client timing diagram for the ATWINC3400-MR210xA module is shown in the following figure.

Figure 10-5. I²C Client Timing Diagram



The following table provides the I²C Client timing parameters for the ATWINC3400-MR210xA module.

Table 10-5. I²C Client Timing Parameters

Parameter	Symbol	Min.	Max.	Units	Remarks
SCL Clock Frequency	f_{SCL}	0	400	kHz	—
SCL Low Pulse Width	t_{WL}	1.3	—	μs	—
SCL High Pulse Width	t_{WH}	0.6	—		—
SCL, SDA Fall Time	t_{HL}	—	300	ns	This is dictated by external components
SCL, SDA Rise Time	t_{LH}	—	300		
START Setup Time	t_{SUSTA}	0.6	—	μs	—
START Hold Time	t_{HDSTA}	0.6	—		—
SDA Setup Time	t_{SUDAT}	100	—	ns	—
SDA Hold Time	t_{HDDAT}	0	—	ns	Client and Host Default
		40	—	μs	Host Programming Option

.....continued

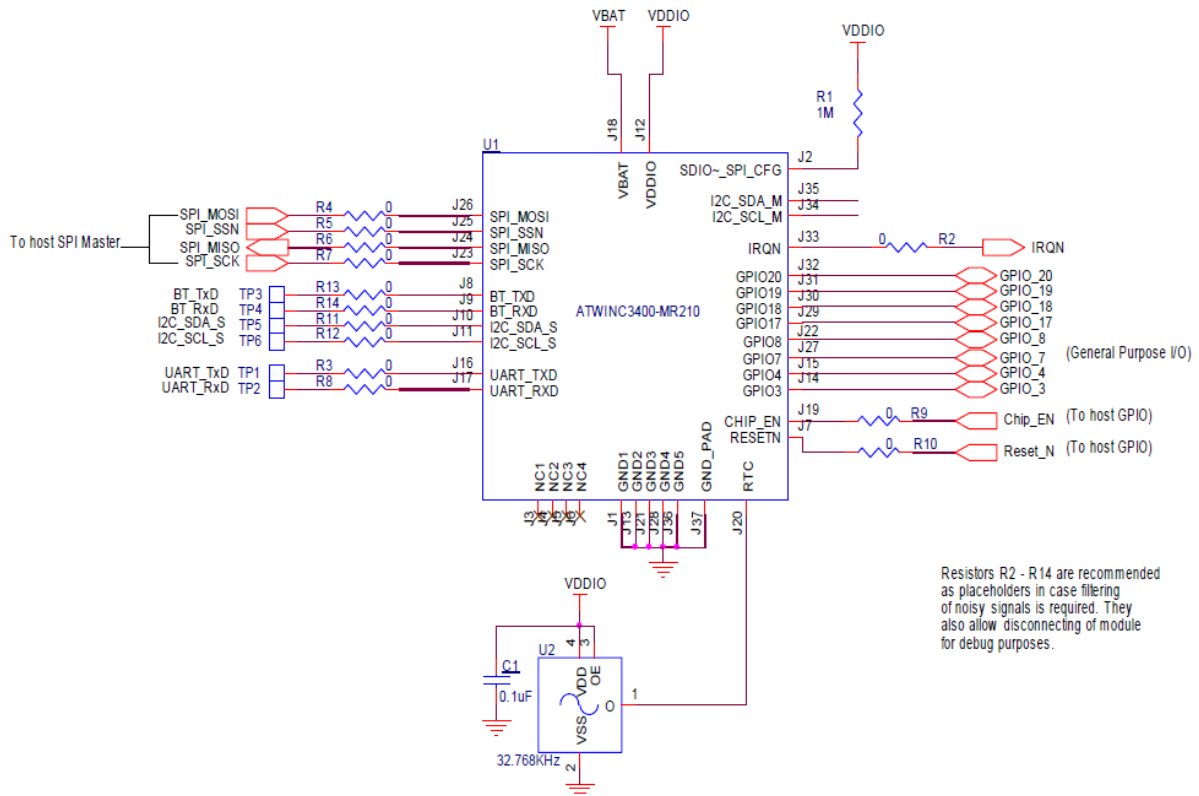
Parameter	Symbol	Min.	Max.	Units	Remarks
STOP Setup Time	t_{SUSTO}	0.6	—	μs	—
Bus Free Time Between STOP and START	t_{BUF}	1.3	—		—
Glitch Pulse Reject	t_{PR}	0	50	ns	—

11. Application Reference Design

The ATWINC3400-MR210xA module application schematics for different supported host interfaces are shown in this section.

11.1 Host Interface

Figure 11-1. ATWINC3400-MR210xA Reference Schematic



Note: It is recommended to add test points for module pins J8, J9, J10, J11, J16 and J17 in the design.

The following table provides the reference Bill of Material (BoM) details for the ATWINC3400-MR210xA module with SPI as host interface.

Table 11-1. ATWINC3400-MR210xA Reference Bill of Materials for SPI Operation

Item	Quantity	Reference	Value	Description	Manufacturer	Part Number	Footprint
1	1	U1	ATWINC3400-MR210xA	Wi-Fi/Bluetooth/BLE Combo Module	Microchip Technology Inc.®	ATWINC3400-MR210xA	Custom
2	1	U2	ASH7KW-32.768kHz-L-T	Oscillator, 32.768 kHz, +0/-175 ppm, 1.2V - 5.5V, -40°C - +85°C	Abrakon® Corporation	ASH7KW-32.768kHz-L-T	OSCCC320X150X100-4N

ATWINC3400-MR210xA

Application Reference Design

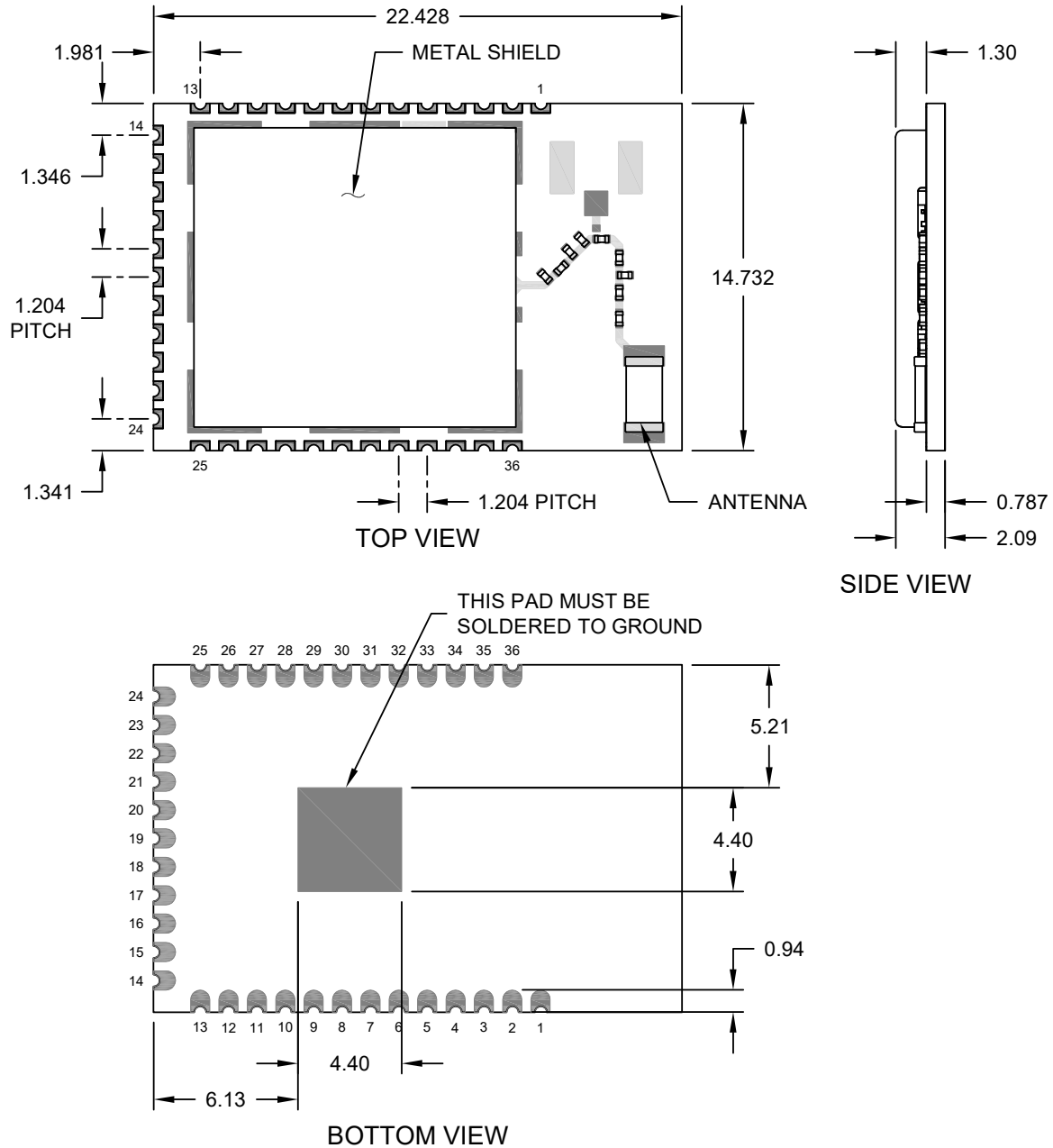
.....continued

Item	Quantity	Reference	Value	Description	Manufacturer	Part Number	Footprint
3	1	R1	1M	RESISTOR, Thick Film, 1 MOhm, 0201	Panasonic®	ERJ-1GEJ10 5C	RS0201
4	13	R2-R14	0	RESISTOR, Thick Film, 0 Ohm, 0201	Panasonic®	ERJ-1GN0R0 0C	RS0201

12. Module Outline Drawings

The ATWINC3400-MR210xA module package details are outlined in the following figure.

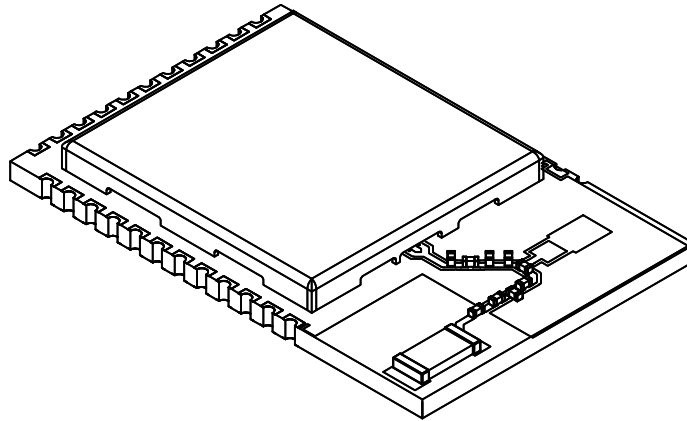
Figure 12-1. ATWINC3400-MR210CA Footprint and Module Package Drawings - Top, Bottom and Side View



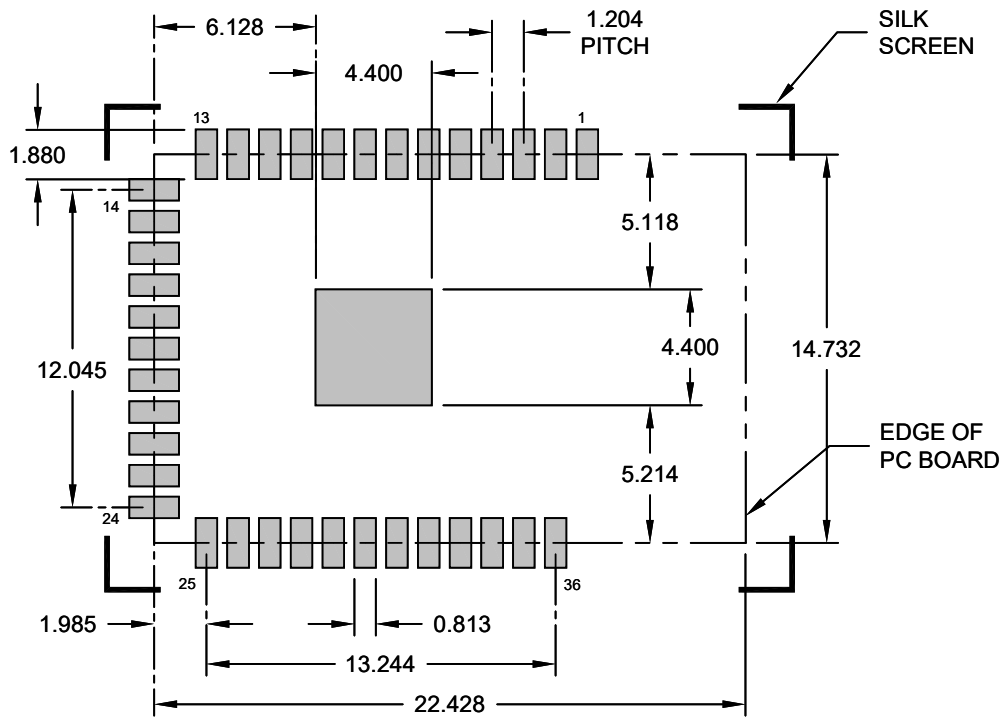
ATWINC3400-MR210xA

Module Outline Drawings

Figure 12-2. ATWINC3400-MR210CA Module Package Drawings - 3D View and Recommended Land Pattern



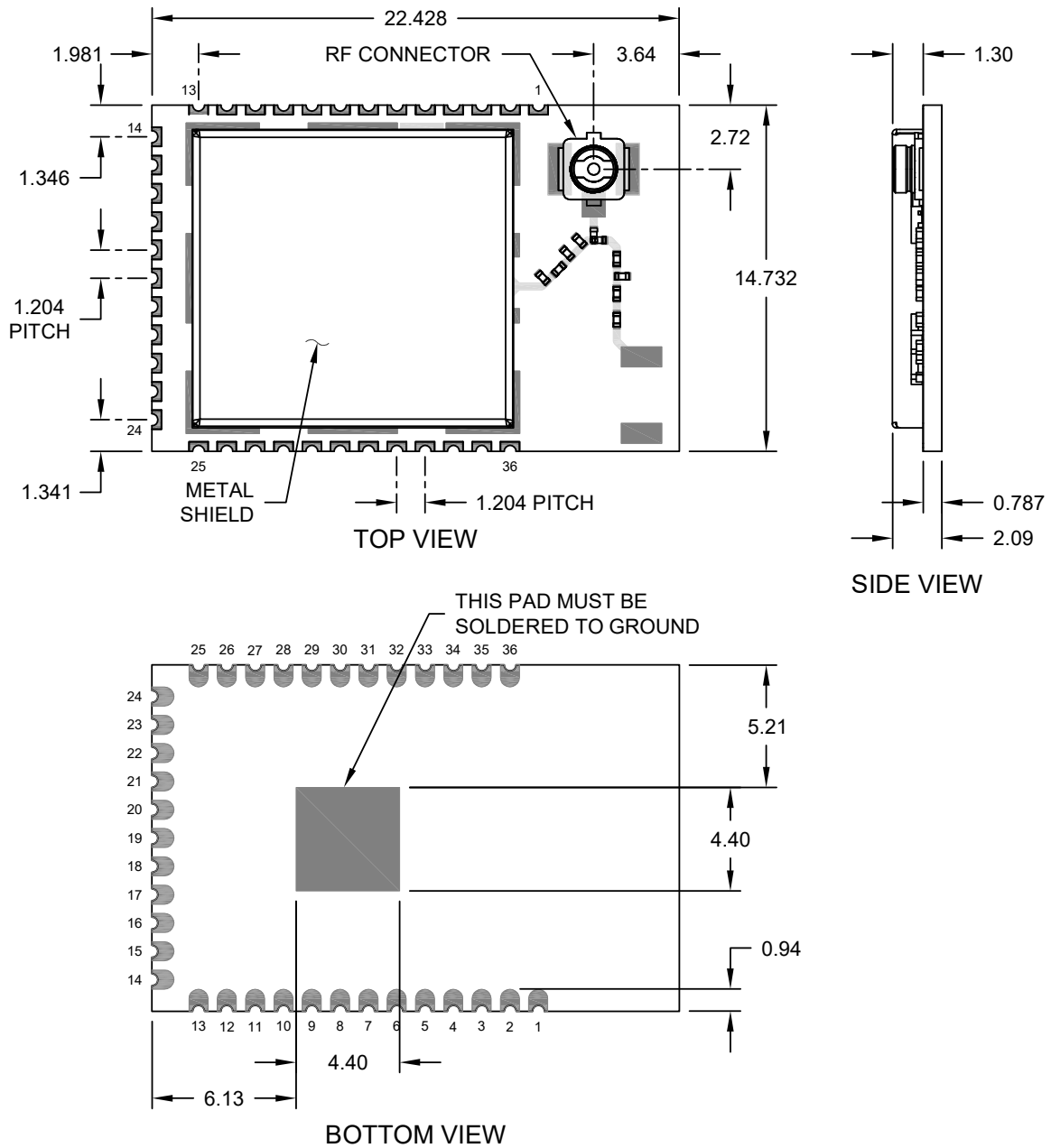
RECOMMENDED LAND PATTERN



ATWINC3400-MR210xA

Module Outline Drawings

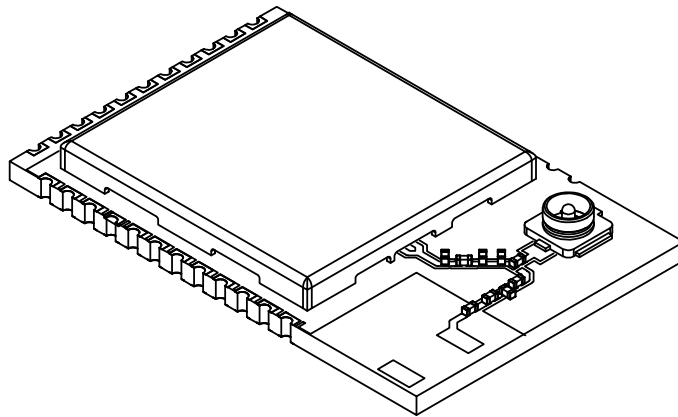
Figure 12-3. ATWINC3400-MR210UA Footprint and Module Package Drawings - Top, Bottom and Side View



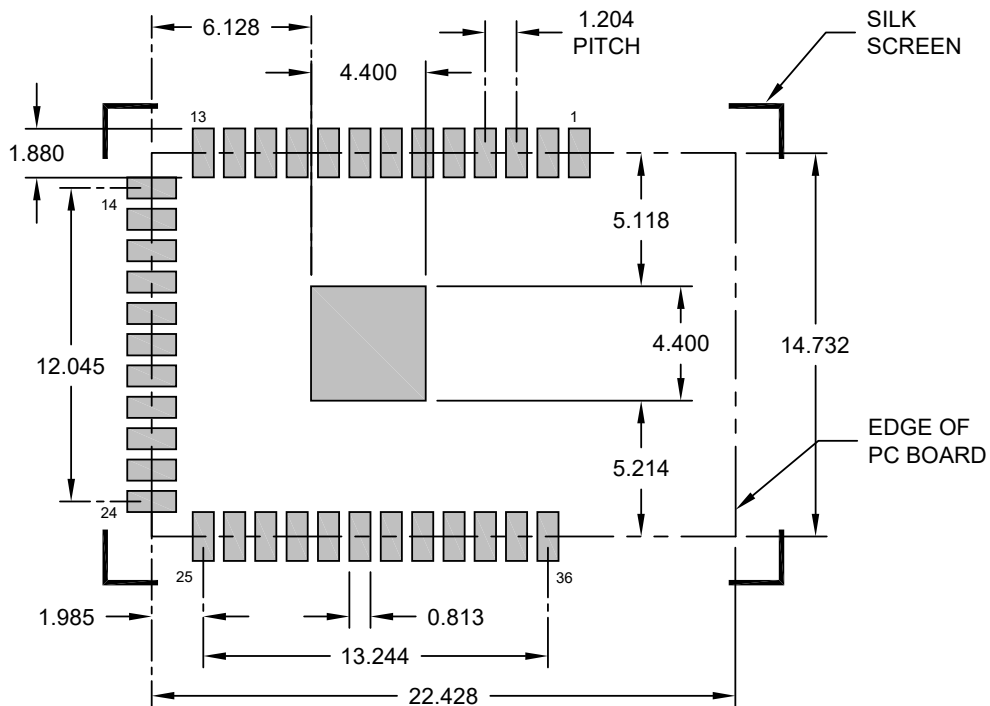
ATWINC3400-MR210xA

Module Outline Drawings

Figure 12-4. ATWINC3400-MR210UA Module Package Drawings - 3D View and Recommended Land Pattern



RECOMMENDED LAND PATTERN



Notes:

1. Dimensions are in mm.
2. Having a 5x5 grid of GND vias solidly connecting the exposed GND paddle of the module to the ground plane on the inner/other layers of the host board is recommended. This will provide a good ground and thermal transfer for the ATWINC3400-MR210xA module.

13. Design Considerations

This chapter provides the guidelines on module placement and routing to achieve the best performance.

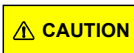
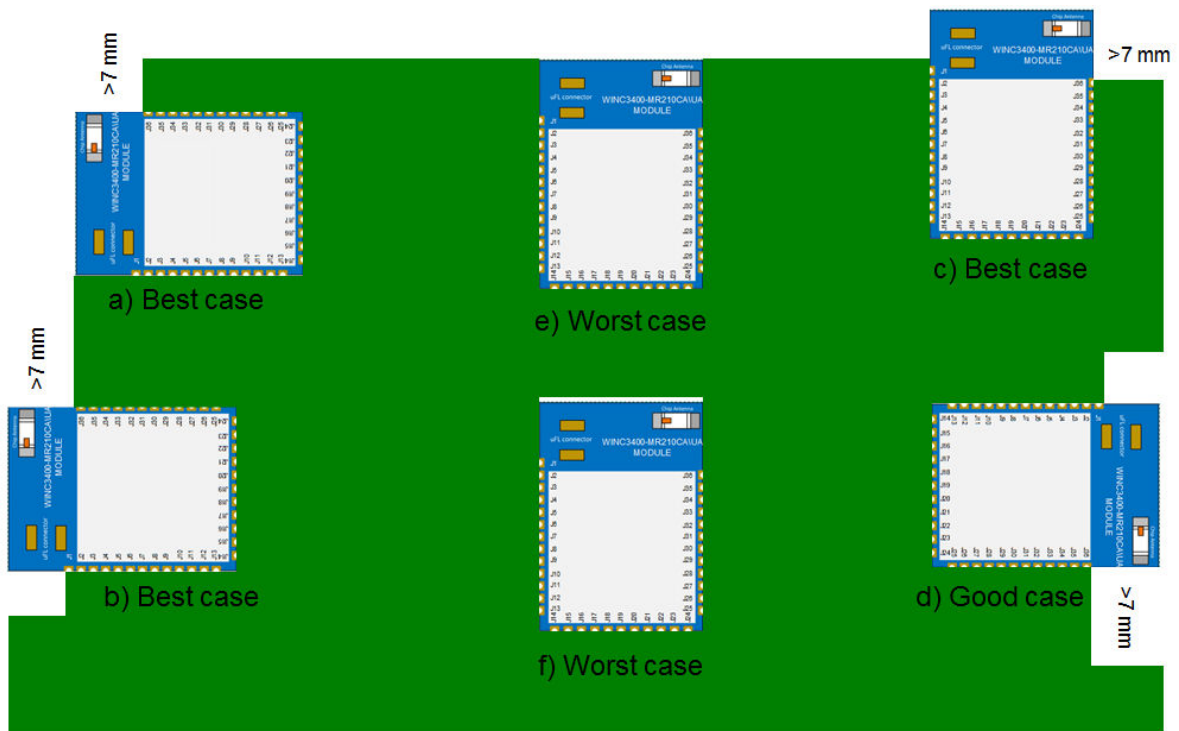
13.1 ATWINC3400-MR210CA

13.1.1 ATWINC3400-MR210CA Module Placement and Routing Guidelines

It is critical to follow the recommendations listed below to achieve the best RF performance:

- The module must be placed on the host board and the chip antenna area must not overlap with the host board. The following figure on placement reference shows the best, poor and worst case module placements in the host board.

Figure 13-1. ATWINC3400-MR210CA Placement Example



Do not place the module in the middle of the host board or far away from the host board edge.

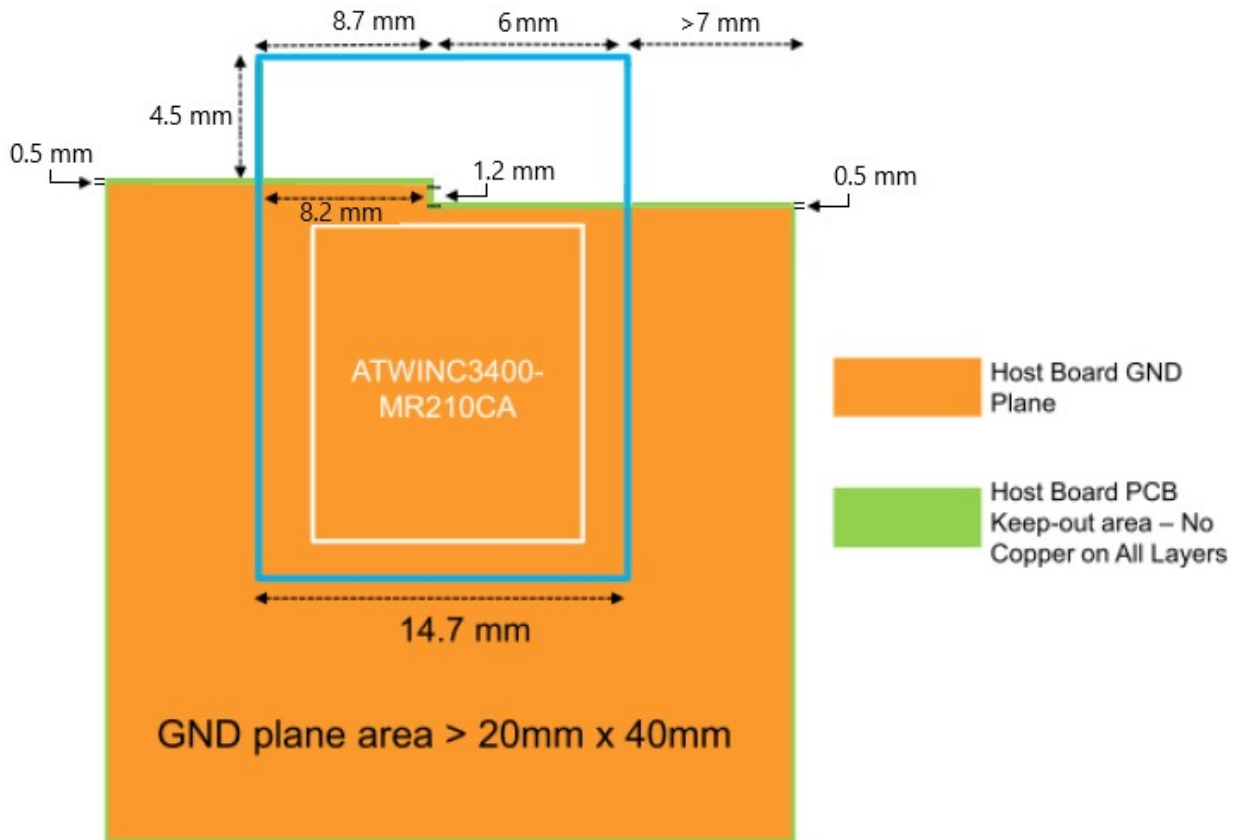
- Follow the host board mechanical recommendation, ground plane and keepout recommendations, as shown in the following figure. Module chip antenna is specifically tuned for this host board mechanical recommendation, as shown in the following figure. The host PCB must have a thickness of 1.5 mm.
 - Follow the module placement and keepout recommendation, as shown in the following figure.
 - Avoid routing any traces on the top layer of the host board, which is directly below the module area.
 - In the keepout region, there must be no copper traces in all signal layers.
 - Avoid placing any components (like mechanical spacers, bump and so on) on the host board close to the chip antenna region.
 - Place the GND polygon pour below the module on the top layer of the host board. Avoid breaks in this GND plane and ensure continuous GND plane for better RF performance.

ATWINC3400-MR210xA

Design Considerations

- The GND polygon pour in the top layer of the host board must have a minimum area of 20 x 40 mm.
- Place sufficient GND vias on the host board edge and below the module for better RF performance.
- Having a 5 x 5 grid of GND vias solidly connecting the exposed GND paddle of the module to the ground plane of the host board is recommended. This will act as a good ground and thermal conduction path for the ATWINC3400-MR210CA module. The GND vias must have a minimum via hole size of 0.2 mm.
- The antenna on the module must not be placed in direct contact or close proximity to plastic casing/objects. Keep a minimum clearance of > 7 mm in all directions around the chip antenna.

Figure 13-2. ATWINC3400-MR210CA Best Case Placement Reference Example



13.1.2 ATWINC3400-MR210CA Antenna Performance

The ATWINC3400-MR210CA uses a chip antenna, which is fed via matching network. The table below lists the technical specification of the chip antenna.

Table 13-1. Chip antenna specification

Parameter	Value
Peak gain	0.5 dBi
Operating frequency	2400 – 2500 MHz
Antenna P/N	2450AT18A100
Antenna vendor	Johanson Technology Inc.

13.1.2.1 Radiation Pattern

Following figures illustrate the antenna radiation pattern measured for the ATWINC3400-MR210CA module mounted in the ATWINC3400-Xpro evaluation kit. During the measurement, the module is placed in the XZ plane with Y axis being perpendicular to the module and pointing to the front of the module.

Figure 13-3. Antenna Radiation Pattern - XY Plane

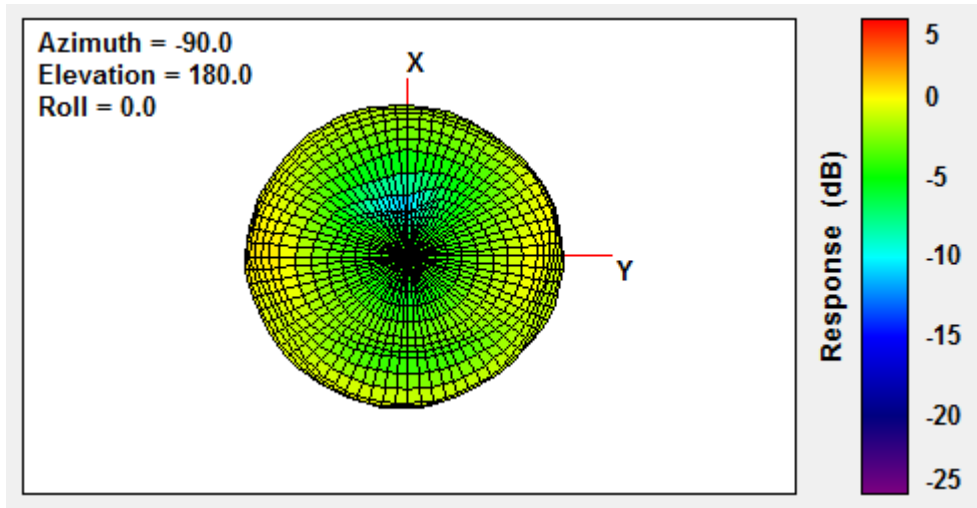


Figure 13-4. Antenna Radiation Pattern - ZY Plane

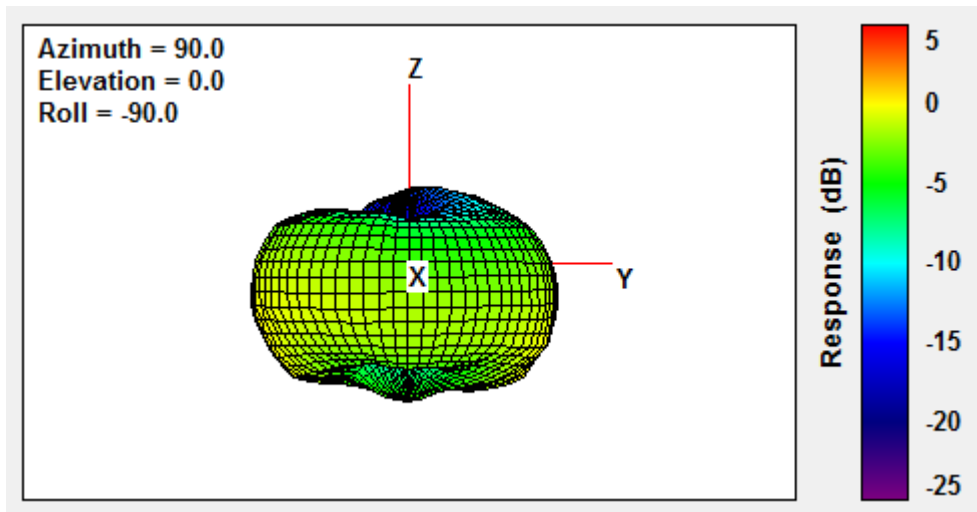
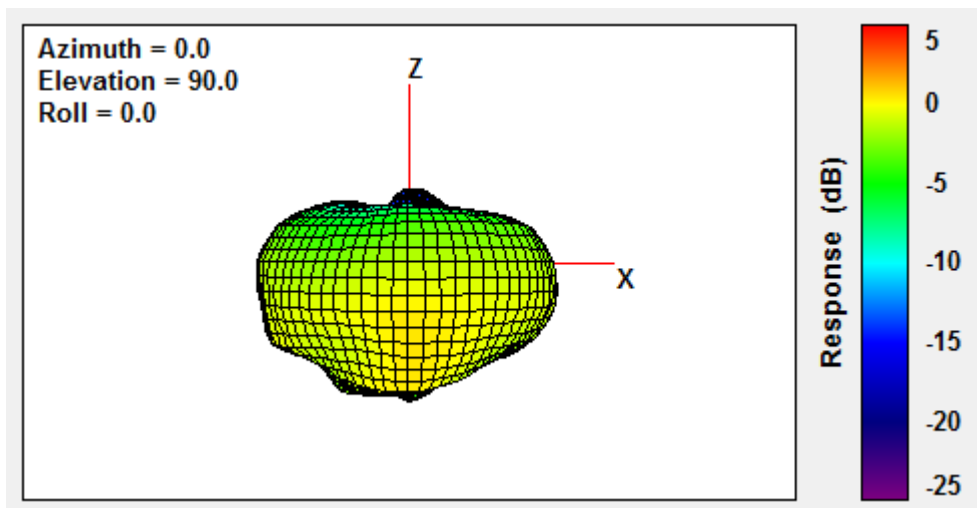


Figure 13-5. Antenna Radiation Pattern - ZX Plane



13.2 ATWINC3400-MR210UA External Antenna Connector

13.2.1 ATWINC3400-MR210UA Module Placement and Routing Guidelines

The ATWINC3400-MR210UA module has an Ultra Small Miniature RF Connector (u.FL) for the external antenna. The choice of antenna is limited to the antenna types for which the module was tested and approved. For a list of tested and approved antennas that may be used with the module, refer to the respective country in the Regulatory Approval section.

An approved list of external antennas tested and certified with the ATWINC3400-MR210UA module is shown in [13.2.2 ATWINC3400-MR210UA Approved External Antennas](#).

It is critical to follow the recommendations listed below to achieve the best RF performance:

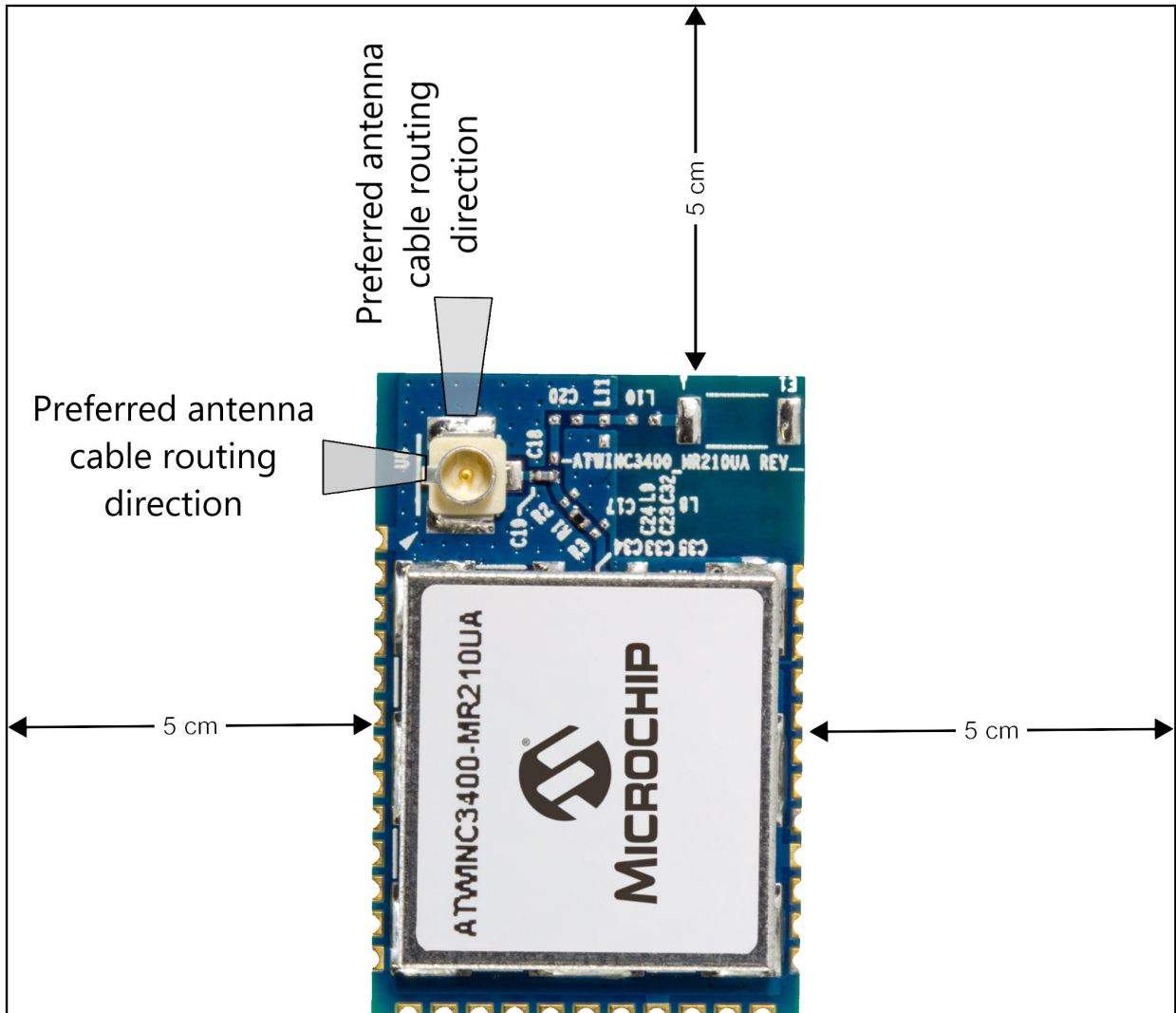
- Avoid routing any traces on the top layer of the host board, which is directly below the module area.
- Place the GND polygon pour below the complete module area. Do not have any breaks in this GND plane.
- Place sufficient GND vias in the GND polygon pour below the module area for better RF performance.
- Having a 3 x 3 grid of GND vias solidly connecting the exposed GND paddle of the module to the inner layer ground plane of the host board is recommended. This will act as a good ground and thermal conduction path for the ATWINC3400-MR210UB module. The GND vias must have a minimum via hole size of 0.3 mm.
- Keep large metal objects away from the external antenna to avoid electromagnetic field blocking.
- Make sure the width of the traces routed to GND, VDDIO and VBAT rails are sufficiently larger for handling the peak TX current consumption.

13.2.1.1 Antenna Placement Recommendations for ATWINC3400-MR210UA

The following recommendations must be applied for the placement of antenna and its cable:

- The antenna cable must not be routed over circuits generating electrical noise on the host board or alongside or underneath the module. It is preferable that the cable be routed straight out of the module.
- The antenna must not be placed in direct contact or in close proximity of the plastic casing/objects.
 - Do not enclose the antenna within a metal shield.
- Keep any components that may radiate noise, signals or harmonics within the 2.4 GHz to 2.5 GHz frequency band away from the antenna and, if possible, shield those components. Any noise radiated from the host board in this frequency band degrades the sensitivity of the module.
- It is recommended that the antenna be placed at a distance greater than 5 cm away from the module. The following figure shows the antenna keepout area; the antenna must not be placed in this area.
- This recommendation is based on an open-air measurement and does not take into account any metal shielding of the customer end product. When a metal enclosure is used, the antenna can be located closer to the ATWINC3400-MR210UA module.
- The drawing provides an option for routing the antenna cable depending on the location of the antenna with respect to the ATWINC3400-MR210UA PCB. There are two possible options for the optimum routing of the cable.

Figure 13-6. Antenna Placement Guideline



Note: These guidelines are generic and it is recommended that customers check and fine-tune the antenna positioning in the final host product based on RF performance.

13.2.2 ATWINC3400-MR210UA Approved External Antennas

The ATWINC3400-MR210UA module is approved for use with the antennas listed in the following table. It is permissible to use a different antenna, provided the antenna is of the same type, gain (equal or less than), and has similar in-band and out-of-band characteristics are present (refer to specification sheet for cutoff frequencies).

If other antenna types are used, the OEM installer must conduct the necessary assessments and authorize the antenna with respective regulatory agencies and ensure compliance. For more details on the corresponding regulatory approval sections, [14. Appendix A: Regulatory Approval](#).

Table 13-2. List of Approved External Antennas

List Items	Part Number	Manufacturer	Antenna Gain at 2.4 GHz band	Antenna type
1	RFA-02-P33	Aristotle	2	PCB
2	RFA-02-D3	Aristotle	2	Dipole

ATWINC3400-MR210xA

Design Considerations

.....continued

List Items	Part Number	Manufacturer	Antenna Gain at 2.4 GHz band	Antenna type
3	RFA-02-L2H1	Aristotle	2	Dipole
4	RFA-02-P05	Aristotle	2	PCB
5	RFA-02-C2M2	Aristotle	2	Dipole
6	W3525B039	Pulse Electronics	2	PCB
7	RFDPA870920IMLB3 01	WALSIN	1.84	Dipole
8	RN-SMA-S	Microchip	0.56	Dipole

Notes:

1. If the end-product using the module is designed to have an antenna port that is accessible to the end user, then the unique antenna connector (permissible by FCC) must be used (for example, Reverse Polarity (RP)-SMA).
2. If an RF coaxial cable is used between the module RF output and the enclosure, then the unique antenna connector must be used in the enclosure wall to interface with an antenna.
3. Contact the antenna vendor for detailed antenna specifications to review suitability to end-product operating environment and to identify alternatives.

13.3 Reflow Profile Information

For information on the reflow process guidelines, refer to the “Solder Reflow Recommendation” Application Note ([AN233](#)).

13.4 Module Assembly Considerations

The ATWINC3400-MR210xA module is assembled with an EMI shield to ensure compliance with EMI emission and immunity rules. The EMI shield is made of a tin-plated steel (SPTE) and is not hermetically sealed. Solutions such as IPA and similar solvents can be used to clean this module. Cleaning solutions containing acid must never be used on the module.

13.5 Conformal Coating

The modules are not intended for use with a conformal coating and the customer assumes all risks (such as the module reliability, performance degradation and so on) if a conformal coating is applied to the modules.

14. Appendix A: Regulatory Approval

The ATWINC3400-MR210CA and ATWINC3400-MR210UA modules have received regulatory approval for the following countries:

- ATWINC3400-MR210CA
 - United States/FCC ID: 2ADHKWINC3400
 - Canada/ISED:
 - IC: 20266-ATWINC3400
 - HVIN: ATWINC3400-MR210CA
 - PMN: Wi-Fi and Bluetooth Module
 - Europe/CE
 - Japan/MIC: 005-101794
 - Korea/KCC: R-CRM-mcp-WINC3400MR210C
 - Taiwan/NCC: CCAN18LP0450T0
 - China/SRRC: CMIIT ID: 2018DJ2733
- ATWINC3400-MR210UA
 - United States/FCC ID: 2ADHKWINC3400U
 - Canada/ISED:
 - IC: 20266-WINC3400UA
 - HVIN: ATWINC3400-MR210UA
 - PMN: ATWINC3400-MR210UA
 - Europe/CE

Gain Table for Individual Regulatory Region

The ATWINC3400-MR210CA module has received regulatory approvals for many regions in the world, namely United States/FCC, Canada/ISED, Europe/CE, Japan/MIC, Korea/KCC, Taiwan/NCC, and China/SRRC. The ATWINC3400-MR210UA module has received regulatory approvals for United States/FCC, Canada/ISED and Europe/CE.

The default firmware uses a common gain table that meets IEEE 802.11 specifications, and regulatory region limits for both ATWINC3400-MR210CA and ATWINC3400-MR210UA as noted above. In some cases, the output power is reduced by limits of regulatory region with stringent transmit power limits. To optimize performance, and if end products' destination is known, the specific gain table for that region can be optionally embedded into the firmware.

The regulatory region certified gain table for individual regulatory region is available on ATWINC3400-MR210CA and ATWINC3400-MR210UA product page. Customers can update the gain table in firmware by following the instructions in section 6. Updating Application Gain Table into WINC3400 of *ATWINC3400 – Deriving Application Gain Table Application Note*

14.1 United States

The ATWINC3400-MR210CA and ATWINC3400-MR210UA modules have received Federal Communications Commission (FCC) CFR47 Telecommunications, Part 15 Subpart C “Intentional Radiators” single-modular approval in accordance with Part 15.212 Modular Transmitter approval. Single-modular transmitter approval is defined as a complete RF transmission sub-assembly, designed to be incorporated into another device, that must demonstrate compliance with FCC rules and policies independent of any host. A transmitter with a modular grant can be installed in different end-use products (referred to as a host, host product or host device) by the grantee or other equipment manufacturer, then the host product may not require additional testing or equipment authorization for the transmitter function provided by that specific module or limited module device.

The user must comply with all of the instructions provided by the Grantee, which indicate installation and/or operating conditions necessary for compliance.

A host product itself is required to comply with all other applicable FCC equipment authorization regulations, requirements, and equipment functions that are not associated with the transmitter module portion. For example,

compliance must be demonstrated: to regulations for other transmitter components within a host product; to requirements for unintentional radiators (Part 15 Subpart B), such as digital devices, computer peripherals, radio receivers, etc.; and to additional authorization requirements for the non-transmitter functions on the transmitter module (i.e., Suppliers Declaration of Conformity (SDoC) or certification) as appropriate (e.g., Bluetooth and Wi-Fi transmitter modules may also contain digital logic functions).

14.1.1 Labeling and User Information Requirements

The ATWINC3400-MR210CA and ATWINC3400-MR210UA modules have been labeled with its own FCC ID number, and if the FCC ID is not visible when the module is installed inside another device, then the outside of the finished product into which the module is installed must display a label referring to the enclosed module. This exterior label must use the following wording:

<ul style="list-style-type: none">• For ATWINC3400-MR210CA
Contains Transmitter Module FCC ID: 2ADHKWINC3400 or Contains FCC ID: 2ADHKWINC3400 This device complies with Part 15 of the FCC Rules. Operation is subject to the following two conditions: (1) this device may not cause harmful interference, and (2) this device must accept any interference received, including interference that may cause undesired operation.
<ul style="list-style-type: none">• For ATWINC3400-MR210UA
Contains Transmitter Module FCC ID: 2ADHKWINC3400U or Contains FCC ID: 2ADHKWINC3400U This device complies with Part 15 of the FCC Rules. Operation is subject to the following two conditions: (1) this device may not cause harmful interference, and (2) this device must accept any interference received, including interference that may cause undesired operation.

The user's manual for the finished product must include the following statement:

<p>This equipment has been tested and found to comply with the limits for a Class B digital device, pursuant to part 15 of the FCC Rules. These limits are designed to provide reasonable protection against harmful interference in a residential installation. This equipment generates, uses and can radiate radio frequency energy, and if not installed and used in accordance with the instructions, may cause harmful interference to radio communications. However, there is no guarantee that interference will not occur in a particular installation. If this equipment does cause harmful interference to radio or television reception, which can be determined by turning the equipment off and on, the user is encouraged to try to correct the interference by one or more of the following measures:</p> <ul style="list-style-type: none">• Reorient or relocate the receiving antenna• Increase the separation between the equipment and receiver• Connect the equipment into an outlet on a circuit different from that to which the receiver is connected• Consult the dealer or an experienced radio/TV technician for help
--

Additional information on labeling and user information requirements for Part 15 devices can be found in KDB Publication 784748, which is available at the FCC Office of Engineering and Technology (OET) Laboratory Division Knowledge Database (KDB) apps.fcc.gov/oetcf/kdb/index.cfm.

14.1.2 RF Exposure

All transmitters regulated by FCC must comply with RF exposure requirements. KDB 447498 General RF Exposure Guidance provides guidance in determining whether proposed or existing transmitting facilities, operations or devices comply with limits for human exposure to Radio Frequency (RF) fields adopted by the Federal Communications Commission (FCC).

From the FCC Grant: Output power listed is conducted. This transmitter is restricted for use with the specific antenna(s) tested in this application for Certification.

The antenna(s) used with this transmitter must be installed to provide a separation distance of at least 6.5 cm from all persons and must not be co-located or operating in conjunction with any other antenna or transmitter. Users and installers must be provided with antenna installation instructions and transmitter operating conditions for satisfying RF exposure compliance.

14.1.3 Approved External Antennas

To maintain modular approval in the United States, only the antenna types that have been tested shall be used. It is permissible to use different antenna, provided the same antenna type, antenna gain (equal to or less than), with similar in-band and out-of band characteristics (refer to specification sheet for cutoff frequencies).

For ATWINC3400-MR210CA, the approval is received using the integral chip antenna.

For ATWINC3400-MR210UA, approved antennas are listed in the table [13.2.2 ATWINC3400-MR210UA Approved External Antennas](#).

14.1.4 Helpful Web Sites

- Federal Communications Commission (FCC): www.fcc.gov.
- FCC Office of Engineering and Technology (OET) Laboratory Division Knowledge Database (KDB) apps.fcc.gov/oetcf/kdb/index.cfm.

14.2 Canada

The ATWINC3400-MR210CA and ATWINC3400-MR210UA modules have been certified for use in Canada under Innovation, Science and Economic Development Canada (ISED, formerly Industry Canada) Radio Standards Procedure (RSP) RSP-100, Radio Standards Specification (RSS) RSS-Gen and RSS-247. Modular approval permits the installation of a module in a host device without the need to recertify the device.

14.2.1 Labeling and User Information Requirements

Labeling Requirements (from RSP-100 - Issue 12, Section 5): The host product shall be properly labeled to identify the module within the host device.

The Innovation, Science and Economic Development Canada certification label of a module shall be clearly visible at all times when installed in the host device; otherwise, the host product must be labeled to display the Innovation, Science and Economic Development Canada certification number of the module, preceded by the word "Contains" or similar wording expressing the same meaning, as follows:

• For ATWINC3400-MR210CA
Contains IC: 20266-ATWINC3400
• For ATWINC3400-MR210UA
Contains IC: 20266-WINC3400UA

User Manual Notice for License-Exempt Radio Apparatus (from Section 8.4 RSS-Gen, Issue 5, March 2019): User manuals for license-exempt radio apparatus shall contain the following or equivalent notice in a conspicuous location in the user manual or alternatively on the device or both:

This device contains license-exempt transmitter(s)/receiver(s) that comply with Innovation, Science and Economic Development Canada's license-exempt RSS(s). Operation is subject to the following two conditions:

(1) This device may not cause interference;

(2) This device must accept any interference, including interference that may cause undesired operation of the device.

L'émetteur/récepteur exempt de licence contenu dans le présent appareil est conforme aux CNR d'Innovation, Sciences et Développement économique Canada applicables aux appareils radio exempts de licence. L'exploitation est autorisée aux deux conditions suivantes:

1. L'appareil ne doit pas produire de brouillage;

2. L'appareil doit accepter tout brouillage radioélectrique subi, même si le brouillage est susceptible d'en compromettre le fonctionnement.

Transmitter Antenna (From Section 6.8 RSS-GEN, Issue 5, March 2019): User manuals, for transmitters shall display the following notice in a conspicuous location:

This radio transmitter [IC: 20266-ATWINC3400 and IC: 20266-WINC3400UA] has been approved by Innovation, Science and Economic Development Canada to operate with the antenna types listed below, with the maximum permissible gain indicated. Antenna types not included in this list that have a gain greater than the maximum gain indicated for any type listed are strictly prohibited for use with this device.

Le présent émetteur radio [IC: 20266-ATWINC3400 and IC: 20266-WINC3400UA] a été approuvé par Innovation, Sciences et Développement économique Canada pour fonctionner avec les types d'antenne énumérés cidessous et ayant un gain admissible maximal. Les types d'antenne non inclus dans cette liste, et dont le gain est supérieur au gain maximal indiqué pour tout type figurant sur la liste, sont strictement interdits pour l'exploitation de l'émetteur.

Immediately following the above notice, the manufacturer shall provide a list of all antenna types approved for use with the transmitter, indicating the maximum permissible antenna gain (in dBi) and required impedance for each.

14.2.2 RF Exposure

All transmitters regulated by Innovation, Science and Economic Development Canada (ISED) must comply with RF exposure requirements listed in RSS-102 - Radio Frequency (RF) Exposure Compliance of Radio communication Apparatus (All Frequency Bands).

This transmitter is restricted for use with a specific antenna tested in this application for certification, and must not be co-located or operating in conjunction with any other antenna or transmitters within a host device, except in accordance with Canada multi-transmitter product procedures.

The installation of the transmitter must ensure that the antenna has a separation distance of at least 6.5 cm from all persons or compliance must be demonstrated according to the ISED SAR procedures.

14.2.3 Approved Antenna Types

For the ATWINC3400-MR210CA, the approval is received using the integral chip antenna.

For the ATWINC3400-MR210UA, approved antennas are listed in the table [13.2.2 ATWINC3400-MR210UA Approved External Antennas](#).

14.2.4 Helpful Web Sites

Innovation, Science and Economic Development Canada (ISED): www.ic.gc.ca/.

14.3 Europe

The ATWINC3400-MR210CA and ATWINC3400-MR210UA modules is/are a Radio Equipment Directive (RED) assessed radio module that is CE marked and has been manufactured and tested with the intention of being integrated into a final product.

The ATWINC3400-MR210CA and ATWINC3400-MR210UA modules has/have been tested to RED 2014/53/EU Essential Requirements mentioned in the following European Compliance table.

Table 14-1. European Compliance

Certification	Standards	Article
Safety	EN 62368	3.1a
Health	EN 62311	
EMC	EN 301 489-1	3.1b
	EN 301 489-17	
Radio	EN 300 328	3.2

The ETSI provides guidance on modular devices in the “*Guide to the application of harmonised standards covering articles 3.1b and 3.2 of the RED 2014/53/EU (RED) to multi-radio and combined radio and non-radio equipment*” document available at http://www.etsi.org/deliver/etsi_eg/203300_203399/20_3367/01.01.01_60/eg_203367v010101p.pdf.

Note: To maintain conformance to the standards listed in the preceding European Compliance table, the module shall be installed in accordance with the installation instructions in this data sheet and shall not be modified. When integrating a radio module into a completed product, the integrator becomes the manufacturer of the final product and is therefore responsible for demonstrating compliance of the final product with the essential requirements against the RED.

14.3.1 Labeling and User Information Requirements

The label on the final product that contains the ATWINC3400-MR210CA and ATWINC3400-MR210UA modules must follow CE marking requirements.

14.3.2 Conformity Assessment

From ETSI Guidance Note EG 203367, section 6.1, when non-radio products are combined with a radio product:

If the manufacturer of the combined equipment installs the radio product in a host non-radio product in equivalent assessment conditions (i.e. host equivalent to the one used for the assessment of the radio product) and according to the installation instructions for the radio product, then no additional assessment of the combined equipment against article 3.2 of the RED is required.

14.3.2.1 Simplified EU Declaration of Conformity

Hereby, Microchip Technology Inc. declares that the radio equipment type ATWINC3400-MR210xA is in compliance with Directive 2014/53/EU.

The full text of the EU declaration of conformity for this product is available at www.microchip.com/ATWINC3400 (available under *Documents > Certifications*).

14.3.3 Approved Antenna Types

For the ATWINC3400-MR210CA, the approval is received using the integral chip antenna.

For the ATWINC3400-MR210UA, approved antennas are listed in the table [13.2.2 ATWINC3400-MR210UA Approved External Antennas](#).

14.3.4 Helpful Websites

A document that can be used as a starting point in understanding the use of Short Range Devices (SRD) in Europe is the European Radio Communications Committee (ERC) Recommendation 70-03 E, which can be downloaded from the European Communications Committee (ECC) at: <http://www.ecodocdb.dk/>.

Additional helpful web sites are:

- Radio Equipment Directive (2014/53/EU):
https://ec.europa.eu/growth/single-market/european-standards/harmonised-standards/red_en
- European Conference of Postal and Telecommunications Administrations (CEPT):
<http://www.cept.org>
- European Telecommunications Standards Institute (ETSI):
<http://www.etsi.org>
- The Radio Equipment Directive Compliance Association (REDCA):
<http://www.redca.eu/>

14.4 Japan

The ATWINC3400-MR210CA module has/have received type certification and is required to be labeled with its own technical conformity mark and certification number as required to conform to the technical standards regulated by the Ministry of Internal Affairs and Communications (MIC) of Japan pursuant to the Radio Act of Japan.

Integration of this module into a final product does not require additional radio certification provided installation instructions are followed and no modifications of the module are allowed. Additional testing may be required:

- If the host product is subject to electrical appliance safety (for example, powered from an AC mains), the host product may require Product Safety Electrical Appliance and Material (PSE) testing. The integrator should contact their conformance laboratory to determine if this testing is required
- There is an voluntary Electromagnetic Compatibility (EMC) test for the host product administered by VCCI:
www.vcci.jp/vcci_e/index.html

14.4.1 Labeling and User Information Requirements

The label on the final product which contains the ATWINC3400-MR210CA module must follow Japan marking requirements. The integrator of the module should refer to the labeling requirements for Japan available at the Ministry of Internal Affairs and Communications (MIC) website.

For the ATWINC3400-MR210CA module, due to a limited module size, the technical conformity logo and ID is displayed in the data sheet and/or packaging and cannot be displayed on the module label. The final product in which this module is being used must have a label referring to the type certified module inside:



14.4.2 Helpful Web Sites

- Ministry of Internal Affairs and Communications (MIC): www.tele.soumu.go.jp/e/index.htm.
- Association of Radio Industries and Businesses (ARIB): www.arib.or.jp/english/.

14.5 Korea

The ATWINC3400-MR210CA module has/have received certification of conformity in accordance with the Radio Waves Act. Integration of this module into a final product does not require additional radio certification provided installation instructions are followed and no modifications of the module are allowed.

14.5.1 Labeling and User Information Requirements

The label on the final product which contains the ATWINC3400-MR210CA module must follow KC marking requirements. The integrator of the module should refer to the labeling requirements for Korea available on the Korea Communications Commission (KCC) website.

For ATWINC3400-MR210CA, due to a limited module size, the KC mark and ID are displayed in the data sheet and/or packaging and cannot be displayed on the module label. The final product requires the KC mark and certificate number of the module:



14.5.2 Helpful Websites

- Korea Communications Commission (KCC): www.kcc.go.kr.
- National Radio Research Agency (RRA): rra.go.kr.

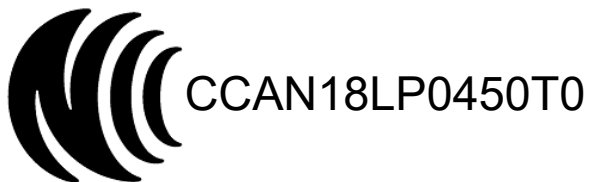
14.6 Taiwan

The ATWINC3400-MR210CA module has/have received compliance approval in accordance with the Telecommunications Act. Customers seeking to use the compliance approval in their product should contact Microchip Technology sales or distribution partners to obtain a Letter of Authority.

Integration of this module into a final product does not require additional radio certification provided installation instructions are followed and no modifications of the module are allowed.

14.6.1 Labeling and User Information Requirements

For the ATWINC3400-MR210CA module, due to the limited module size, the NCC mark and ID are displayed in the data sheet only and cannot be displayed on the module label:



The user's manual should contain following warning (for RF device) in traditional Chinese:

注意！

依據 低功率電波輻射性電機管理辦法

第十二條 經型式認證合格之低功率射頻電機，非經許可，公司、商號或使用者均不得擅自變更頻率、加大功率或變更原設計之特性及功能。

第十四條 低功率射頻電機之使用不得影響飛航安全及干擾合法通信；經發現有干擾現象時，應立即停用，並改善至無干擾時方得繼續使用。

前項合法通信，指依電信規定作業之無線電信。

低功率射頻電機須忍受合法通信或工業、科學及醫療用 電波輻射性電機設備之干擾。

14.6.2 Helpful Web Sites

National Communications Commission (NCC): www.ncc.gov.tw

14.7 China

The ATWINC3400-MR210CA modules has/have received certification of conformity in accordance with the China MIIT Notice 2014-01 of State Radio Regulation Committee (SRRC) certification scheme. Integration of this module into a final product does not require additional radio certification, provided installation instructions are followed and no modifications of the module are allowed. Refer to SRRC certificate available in ATWINC3400-MR210xA product page for expiry date.

14.7.1 Labeling and User Information Requirements

The ATWINC3400-MR210CA module is labeled with its own CMIIT ID as follows:

CMIIT ID: 2018DJ2733

When Host system is using an approved Full Modular Approval (FMA) radio: The host must bear a label containing the statement "This device contains SRRC approved Radio module CMIIT ID: 2018DJ2733".

14.8 Other Regulatory Information

- For information about other countries' jurisdictions, refer to www.microchip.com/wwwproducts/en/ATWINC3400 (available under *Documents > Certifications*).
- Should other regulatory jurisdiction certification be required by the customer, or the customer needs to recertify the module for other reasons, contact Microchip for the required utilities and documentation

15. Reference Documentation

For further details, refer to the following documents:

- ATWINC3400A-MU Datasheet
- Wi-Fi Network Controller Software Design Guide Application Note
- Integrated Serial Flash Memory Download Procedure Application Note
- Wi-Fi Network Controller Software Programming Guide Application Note
- [ATWINC3400 XPro User Guide](#)
- BLE Profiles Application User Guide
- [Solder Reflow Recommendation Application Note](#)
- ATWINC3400A/ATWINC3400-MR110xA Errata
- ATWINC3400 – Deriving Application Gain Table Application Note

Note: For a complete listing of development-support tools and documentation, visit <http://www.microchip.com/wwwproducts/en/ATWINC3400> or refer to the customer support section for details on the nearest Microchip field representative.

16. Document Revision History

Revision	Date	Section	Changes
D	04/2021	Document	Replaced Master/Slave with the new terminologies. For more details, see the following note.
		1. Ordering Information and Module Marking	Updated Figure 1-1 with tape and reel information.
		14.3 Europe	Updated EN 301 489 in EMC to EN 301 489-1 and EN 301 489-17.
C	12/2020	Document	<ul style="list-style-type: none"> Updated ATWINC3400-MR210CA to ATWINC3400-MR210xA Added ATWINC3400-MR210UA module information Minor edits
		2. Block Diagram	Updated Figure 2-1
		3. Pinout and Package Information	<ul style="list-style-type: none"> Updated Figure 3-1 Updated pin descriptions of Pin 8, 9, 14, 15, 22,27, 28,29, 30, 31, 32 and 37 Added Note
		4. Electrical Characteristics	Updated VBAT specification in 4.2 Recommended Operating Conditions
		8. WLAN Subsystem	Added footnotes for Short GI feature
		10.2.2 SPI Timing	<ul style="list-style-type: none"> Updated Note Added description in 10.4 I2C Client Interface
		13.1.1 ATWINC3400-MR210CA Module Placement and Routing Guidelines	<ul style="list-style-type: none"> Added ATWINC3400-MR210CA for the section name Updated Figure 13-2
		13.2.1 ATWINC3400-MR210UA Module Placement and Routing Guidelines	Added
		13.2.2 ATWINC3400-MR210UA Approved External Antennas	Added
		1. Ordering Information and Module Marking	<ul style="list-style-type: none"> Updated Table 1-1 Updated Figure 1-1
		10.3 UART Interface	Updated with Wi-Fi and Bluetooth Low Energy data information
		11.1 Host Interface	Updated Figure 11-1
		14. Appendix A: Regulatory Approval	<ul style="list-style-type: none"> Updated Japan, Korea, Taiwan and China regulatory IDs for ATWINC3400-MR210CA Updated USA, Canada and Europe regulatory IDs for ATWINC3400-MR210UA Added 14. Gain Table for Individual Regulatory Region Updated 14.1 United States, 14.2 Canada and 14.3 Europe with the details of antennas used for approval Revamped 14.3 Europe Updated module label information in 14.5 Korea Updated expiry date information in 14.7 China Updated contents of 14.8 Other Regulatory Information
		B	08/2018
Features	<ul style="list-style-type: none"> Removed Bluetooth Host and Controller QD ID Added QD ID for an end product 		

ATWINC3400-MR210xA

Document Revision History

.....continued			
Revision	Date	Section	Changes
		1. Ordering Information and Module Marking	Updated product web page link
		Table 10-1 and Table 10-2	Updated pin numbers
		Reflow profile information	<ul style="list-style-type: none"> • Removed Reflow Profile information sections • Added link to Solder Reflow Recommendation Application Note
		14. Appendix A: Regulatory Approval	Added PMN details under Canada/ISED
		15. Reference Documentation	<ul style="list-style-type: none"> • Updated web links • Added Solder Reflow Recommendation
		Radiation Pattern	Newly added
A	11/2017	Document	Initial Release

Note: Microchip is aware that some terminologies used in the technical documents and existing software codes of this product are outdated and unsuitable. This document may use these new terminologies, which may or may not reflect on the source codes, software GUIs, and the documents referenced within this document. The following table shows the relevant terminology changes made in this document.

Table 16-1. Terminology Related Changes

Old Terminology	New Terminology	Description
Master	Host	The following sections are updated with new terminology: <ul style="list-style-type: none"> • 3. Pinout and Package Information • 10.1 Interfacing with the Host Microcontroller • 10.2 SPI Client Interface • 10.2.1 Overview • 10.2.2 SPI Timing • 10.4 I2C Client Interface
Slave	Client	

The Microchip Website

Microchip provides online support via our website at www.microchip.com/. This website is used to make files and information easily available to customers. Some of the content available includes:

- **Product Support** – Data sheets and errata, application notes and sample programs, design resources, user's guides and hardware support documents, latest software releases and archived software
- **General Technical Support** – Frequently Asked Questions (FAQs), technical support requests, online discussion groups, Microchip design partner program member listing
- **Business of Microchip** – Product selector and ordering guides, latest Microchip press releases, listing of seminars and events, listings of Microchip sales offices, distributors and factory representatives

Product Change Notification Service

Microchip's product change notification service helps keep customers current on Microchip products. Subscribers will receive email notification whenever there are changes, updates, revisions or errata related to a specified product family or development tool of interest.

To register, go to www.microchip.com/pcn and follow the registration instructions.

Customer Support

Users of Microchip products can receive assistance through several channels:

- Distributor or Representative
- Local Sales Office
- Embedded Solutions Engineer (ESE)
- Technical Support

Customers should contact their distributor, representative or ESE for support. Local sales offices are also available to help customers. A listing of sales offices and locations is included in this document.

Technical support is available through the website at: www.microchip.com/support

Microchip Devices Code Protection Feature

Note the following details of the code protection feature on Microchip devices:

- Microchip products meet the specifications contained in their particular Microchip Data Sheet.
- Microchip believes that its family of products is secure when used in the intended manner and under normal conditions.
- There are dishonest and possibly illegal methods being used in attempts to breach the code protection features of the Microchip devices. We believe that these methods require using the Microchip products in a manner outside the operating specifications contained in Microchip's Data Sheets. Attempts to breach these code protection features, most likely, cannot be accomplished without violating Microchip's intellectual property rights.
- Microchip is willing to work with any customer who is concerned about the integrity of its code.
- Neither Microchip nor any other semiconductor manufacturer can guarantee the security of its code. Code protection does not mean that we are guaranteeing the product is "unbreakable." Code protection is constantly evolving. We at Microchip are committed to continuously improving the code protection features of our products. Attempts to break Microchip's code protection feature may be a violation of the Digital Millennium Copyright Act. If such acts allow unauthorized access to your software or other copyrighted work, you may have a right to sue for relief under that Act.

Legal Notice

Information contained in this publication is provided for the sole purpose of designing with and using Microchip products. Information regarding device applications and the like is provided only for your convenience and may be superseded by updates. It is your responsibility to ensure that your application meets with your specifications.

THIS INFORMATION IS PROVIDED BY MICROCHIP "AS IS". MICROCHIP MAKES NO REPRESENTATIONS OR WARRANTIES OF ANY KIND WHETHER EXPRESS OR IMPLIED, WRITTEN OR ORAL, STATUTORY OR OTHERWISE, RELATED TO THE INFORMATION INCLUDING BUT NOT LIMITED TO ANY IMPLIED WARRANTIES OF NON-INFRINGEMENT, MERCHANTABILITY, AND FITNESS FOR A PARTICULAR PURPOSE OR WARRANTIES RELATED TO ITS CONDITION, QUALITY, OR PERFORMANCE.

IN NO EVENT WILL MICROCHIP BE LIABLE FOR ANY INDIRECT, SPECIAL, PUNITIVE, INCIDENTAL OR CONSEQUENTIAL LOSS, DAMAGE, COST OR EXPENSE OF ANY KIND WHATSOEVER RELATED TO THE INFORMATION OR ITS USE, HOWEVER CAUSED, EVEN IF MICROCHIP HAS BEEN ADVISED OF THE POSSIBILITY OR THE DAMAGES ARE FORESEEABLE. TO THE FULLEST EXTENT ALLOWED BY LAW, MICROCHIP'S TOTAL LIABILITY ON ALL CLAIMS IN ANY WAY RELATED TO THE INFORMATION OR ITS USE WILL NOT EXCEED THE AMOUNT OF FEES, IF ANY, THAT YOU HAVE PAID DIRECTLY TO MICROCHIP FOR THE INFORMATION. Use of Microchip devices in life support and/or safety applications is entirely at the buyer's risk, and the buyer agrees to defend, indemnify and hold harmless Microchip from any and all damages, claims, suits, or expenses resulting from such use. No licenses are conveyed, implicitly or otherwise, under any Microchip intellectual property rights unless otherwise stated.

Trademarks

The Microchip name and logo, the Microchip logo, Adaptec, AnyRate, AVR, AVR logo, AVR Freaks, BesTime, BitCloud, chipKIT, chipKIT logo, CryptoMemory, CryptoRF, dsPIC, FlashFlex, flexPWR, HELDO, IGLOO, JukeBlox, KeeLoq, Klear, LANCheck, LinkMD, maXStylus, maXTouch, MediaLB, megaAVR, Microsemi, Microsemi logo, MOST, MOST logo, MPLAB, OptoLyzer, PackeTime, PIC, picoPower, PICSTART, PIC32 logo, PolarFire, Prochip Designer, QTouch, SAM-BA, SenGenuity, SpyNIC, SST, SST Logo, SuperFlash, Symmetricom, SyncServer, Tachyon, TimeSource, tinyAVR, UNI/O, Vectron, and XMEGA are registered trademarks of Microchip Technology Incorporated in the U.S.A. and other countries.

AgileSwitch, APT, ClockWorks, The Embedded Control Solutions Company, EtherSynch, FlashTec, Hyper Speed Control, HyperLight Load, IntelliMOS, Libero, motorBench, mTouch, Powermite 3, Precision Edge, ProASIC, ProASIC Plus, ProASIC Plus logo, Quiet-Wire, SmartFusion, SyncWorld, Temux, TimeCesium, TimeHub, TimePictra, TimeProvider, WinPath, and ZL are registered trademarks of Microchip Technology Incorporated in the U.S.A.

Adjacent Key Suppression, AKS, Analog-for-the-Digital Age, Any Capacitor, AnyIn, AnyOut, Augmented Switching, BlueSky, BodyCom, CodeGuard, CryptoAuthentication, CryptoAutomotive, CryptoCompanion, CryptoController, dsPICDEM, dsPICDEM.net, Dynamic Average Matching, DAM, ECAN, Espresso T1S, EtherGREEN, IdealBridge, In-Circuit Serial Programming, ICSP, INICnet, Intelligent Paralleling, Inter-Chip Connectivity, JitterBlocker, maxCrypto, maxView, memBrain, Mindi, MiWi, MPASM, MPF, MPLAB Certified logo, MPLIB, MPLINK, MultiTRAK, NetDetach, Omniscient Code Generation, PICDEM, PICDEM.net, PICKit, PICtail, PowerSmart, PureSilicon, QMatrix, REAL ICE, Ripple Blocker, RTAX, RTG4, SAM-ICE, Serial Quad I/O, simpleMAP, SimpliPHY, SmartBuffer, SMART-I.S., storClad, SQL, SuperSwitcher, SuperSwitcher II, Switchtec, SynchroPHY, Total Endurance, TSHARC, USBCheck, VariSense, VectorBlox, VeriPHY, ViewSpan, WiperLock, XpressConnect, and ZENA are trademarks of Microchip Technology Incorporated in the U.S.A. and other countries.

SQTP is a service mark of Microchip Technology Incorporated in the U.S.A.

The Adaptec logo, Frequency on Demand, Silicon Storage Technology, and Symmcom are registered trademarks of Microchip Technology Inc. in other countries.

GestIC is a registered trademark of Microchip Technology Germany II GmbH & Co. KG, a subsidiary of Microchip Technology Inc., in other countries.

All other trademarks mentioned herein are property of their respective companies.

© 2021, Microchip Technology Incorporated, Printed in the U.S.A., All Rights Reserved.

ISBN: 978-1-5224-8269-7

Quality Management System

For information regarding Microchip's Quality Management Systems, please visit www.microchip.com/quality.

Worldwide Sales and Service

AMERICAS	ASIA/PACIFIC	ASIA/PACIFIC	EUROPE
<p>Corporate Office 2355 West Chandler Blvd. Chandler, AZ 85224-6199 Tel: 480-792-7200 Tel: 480-792-7277 Technical Support: www.microchip.com/support Web Address: www.microchip.com</p> <p>Atlanta Duluth, GA Tel: 678-957-9614 Fax: 678-957-1455</p> <p>Austin, TX Tel: 512-257-3370</p> <p>Boston Westborough, MA Tel: 774-760-0087 Fax: 774-760-0088</p> <p>Chicago Itasca, IL Tel: 630-285-0071 Fax: 630-285-0075</p> <p>Dallas Addison, TX Tel: 972-818-7423 Fax: 972-818-2924</p> <p>Detroit Novi, MI Tel: 248-848-4000</p> <p>Houston, TX Tel: 281-894-5983</p> <p>Indianapolis Noblesville, IN Tel: 317-773-8323 Fax: 317-773-5453 Tel: 317-536-2380</p> <p>Los Angeles Mission Viejo, CA Tel: 949-462-9523 Fax: 949-462-9608 Tel: 951-273-7800</p> <p>Raleigh, NC Tel: 919-844-7510</p> <p>New York, NY Tel: 631-435-6000</p> <p>San Jose, CA Tel: 408-735-9110 Tel: 408-436-4270</p> <p>Canada - Toronto Tel: 905-695-1980 Fax: 905-695-2078</p>	<p>Australia - Sydney Tel: 61-2-9868-6733</p> <p>China - Beijing Tel: 86-10-8569-7000</p> <p>China - Chengdu Tel: 86-28-8665-5511</p> <p>China - Chongqing Tel: 86-23-8980-9588</p> <p>China - Dongguan Tel: 86-769-8702-9880</p> <p>China - Guangzhou Tel: 86-20-8755-8029</p> <p>China - Hangzhou Tel: 86-571-8792-8115</p> <p>China - Hong Kong SAR Tel: 852-2943-5100</p> <p>China - Nanjing Tel: 86-25-8473-2460</p> <p>China - Qingdao Tel: 86-532-8502-7355</p> <p>China - Shanghai Tel: 86-21-3326-8000</p> <p>China - Shenyang Tel: 86-24-2334-2829</p> <p>China - Shenzhen Tel: 86-755-8864-2200</p> <p>China - Suzhou Tel: 86-186-6233-1526</p> <p>China - Wuhan Tel: 86-27-5980-5300</p> <p>China - Xian Tel: 86-29-8833-7252</p> <p>China - Xiamen Tel: 86-592-2388138</p> <p>China - Zhuhai Tel: 86-756-3210040</p>	<p>India - Bangalore Tel: 91-80-3090-4444</p> <p>India - New Delhi Tel: 91-11-4160-8631</p> <p>India - Pune Tel: 91-20-4121-0141</p> <p>Japan - Osaka Tel: 81-6-6152-7160</p> <p>Japan - Tokyo Tel: 81-3-6880-3770</p> <p>Korea - Daegu Tel: 82-53-744-4301</p> <p>Korea - Seoul Tel: 82-2-554-7200</p> <p>Malaysia - Kuala Lumpur Tel: 60-3-7651-7906</p> <p>Malaysia - Penang Tel: 60-4-227-8870</p> <p>Philippines - Manila Tel: 63-2-634-9065</p> <p>Singapore Tel: 65-6334-8870</p> <p>Taiwan - Hsin Chu Tel: 886-3-577-8366</p> <p>Taiwan - Kaohsiung Tel: 886-7-213-7830</p> <p>Taiwan - Taipei Tel: 886-2-2508-8600</p> <p>Thailand - Bangkok Tel: 66-2-694-1351</p> <p>Vietnam - Ho Chi Minh Tel: 84-28-5448-2100</p>	<p>Austria - Wels Tel: 43-7242-2244-39 Fax: 43-7242-2244-393</p> <p>Denmark - Copenhagen Tel: 45-4485-5910 Fax: 45-4485-2829</p> <p>Finland - Espoo Tel: 358-9-4520-820</p> <p>France - Paris Tel: 33-1-69-53-63-20 Fax: 33-1-69-30-90-79</p> <p>Germany - Garching Tel: 49-8931-9700</p> <p>Germany - Haan Tel: 49-2129-3766400</p> <p>Germany - Heilbronn Tel: 49-7131-72400</p> <p>Germany - Karlsruhe Tel: 49-721-625370</p> <p>Germany - Munich Tel: 49-89-627-144-0 Fax: 49-89-627-144-44</p> <p>Germany - Rosenheim Tel: 49-8031-354-560</p> <p>Israel - Ra'anana Tel: 972-9-744-7705</p> <p>Italy - Milan Tel: 39-0331-742611 Fax: 39-0331-466781</p> <p>Italy - Padova Tel: 39-049-7625286</p> <p>Netherlands - Drunen Tel: 31-416-690399 Fax: 31-416-690340</p> <p>Norway - Trondheim Tel: 47-72884388</p> <p>Poland - Warsaw Tel: 48-22-3325737</p> <p>Romania - Bucharest Tel: 40-21-407-87-50</p> <p>Spain - Madrid Tel: 34-91-708-08-90 Fax: 34-91-708-08-91</p> <p>Sweden - Gothenberg Tel: 46-31-704-60-40</p> <p>Sweden - Stockholm Tel: 46-8-5090-4654</p> <p>UK - Wokingham Tel: 44-118-921-5800 Fax: 44-118-921-5820</p>