



**Please note that Cypress is an Infineon Technologies Company.**

The document following this cover page is marked as “Cypress” document as this is the company that originally developed the product. Please note that Infineon will continue to offer the product to new and existing customers as part of the Infineon product portfolio.

**Continuity of document content**

The fact that Infineon offers the following product as part of the Infineon product portfolio does not lead to any changes to this document. Future revisions will occur when appropriate, and any changes will be set out on the document history page.

**Continuity of ordering part numbers**

Infineon continues to support existing part numbers. Please continue to use the ordering part numbers listed in the datasheet for ordering.



The following document contains information on Cypress products. The document has the series name, product name, and ordering part numbering with the prefix “MB”. However, Cypress will offer these products to new and existing customers with the series name, product name, and ordering part number with the prefix “CY”.

#### **How to Check the Ordering Part Number**

1. Go to [www.cypress.com/pcn](http://www.cypress.com/pcn).
2. Enter the keyword (for example, ordering part number) in the **SEARCH PCNS** field and click **Apply**.
3. Click the corresponding title from the search results.
4. Download the Affected Parts List file, which has details of all changes

#### **For More Information**

Please contact your local sales office for additional information about Cypress products and solutions.

#### **About Cypress**

Cypress is the leader in advanced embedded system solutions for the world's most innovative automotive, industrial, smart home appliances, consumer electronics and medical products. Cypress' microcontrollers, analog ICs, wireless and USB-based connectivity solutions and reliable, high-performance memories help engineers design differentiated products and get them to market first. Cypress is committed to providing customers with the best support and development resources on the planet enabling them to disrupt markets by creating new product categories in record time. To learn more, go to [www.cypress.com](http://www.cypress.com).



## MB9B160L Series

# 32-Bit Arm<sup>®</sup> Cortex<sup>®</sup>-M4F FM4 Microcontroller

Devices in the MB9B160L Series are highly integrated 32-bit microcontrollers with high performance and competitive cost.

This series is based on the Arm<sup>®</sup> Cortex<sup>®</sup>-M4F Processor with on-chip Flash memory and SRAM. The series has peripheral functions such as Motor Control Timers, ADCs and Communication Interfaces (UART, CSIO, I<sup>2</sup>C, LIN).

The products that are described in this datasheet are placed into TYPE2-M4 product categories in the "FM4 Family Peripheral Manual Main Part (002-04856)".

## Features

### 32-bit Arm<sup>®</sup> Cortex<sup>®</sup>-M4F Core

- Processor version: r0p1
- Up to 160 MHz Frequency Operation
- FPU built-in
- Support DSP instruction
- Memory Protection Unit (MPU): improves the reliability of an embedded system
- Integrated Nested Vectored Interrupt Controller (NVIC): 1 NMI (non-maskable interrupt) and 128 peripheral interrupts and 16 priority levels
- 24-bit System timer (Sys Tick): System timer for OS task management

### On-Chip Memories

#### [Flash Memory]

These series are based on two independent on-chip Flash memories.

- MainFlash memory
  - Up to 512 Kbytes
  - Built-in Flash Accelerator System with 16 Kbytes trace buffer memory
  - The read access to Flash memory can be achieved without wait-cycle up to operation frequency of 72 MHz. Even at the operation frequency more than 72 MHz, an equivalent access to Flash memory can be obtained by Flash Accelerator System.
  - Security function for code protection
- WorkFlash memory
  - 32 Kbytes
  - Read cycle:
    - 6wait-cycle: the operation frequency more than 120 MHz, and up to 160 MHz
    - 4wait-cycle: the operation frequency more than 72 MHz, and up to 120 MHz
    - 2wait-cycle: the operation frequency more than 40 MHz, and up to 72 MHz
    - 0wait-cycle: the operation frequency up to 40 MHz
  - Security function is shared with code protection

#### [SRAM]

This is composed of three independent SRAMs (SRAM0, SRAM1, and SRAM2). SRAM0 is connected to I-code bus and D-code bus of Cortex-M4F core. SRAM1 and SRAM2 are connected to System bus of Cortex-M4F core.

- SRAM0: Up to 32 Kbytes
- SRAM1: Up to 16 Kbytes
- SRAM2: Up to 16 Kbytes

#### Multi-Function Serial Interface (Max 6 Channels)

- 64 bytes with FIFO (the FIFO step numbers are variable depending on the settings of the communication mode or bit length.)
- Operation mode is selectable from the followings for each channel.
  - UART
  - CSIO
  - LIN
  - I<sup>2</sup>C
- UART
  - Full-duplex double buffer
  - Selection with or without parity supported
  - Built-in dedicated baud rate generator
  - External clock available as a serial clock
  - Hardware Flow control : Automatically control the transmission by CTS/RTS (only ch.4)
  - Various error detect functions available (parity errors, framing errors, and overrun errors)
- CSIO
  - Full-duplex double buffer
  - Built-in dedicated baud rate generator
  - Overrun error detect function available
  - Serial chip select function (ch.6 only)
  - Supports high-speed SPI (ch.0 and ch.6 only)
  - Data length 5 to 16-bit
- LIN
  - LIN protocol Rev.2.1 supported
  - Full-duplex double buffer
  - Master/Slave mode supported
  - LIN break field generation (can change to 13 to 16-bit length)

- LIN break delimiter generation (can change to 1 to 4-bit length)
- Various error detect functions available (parity errors, framing errors, and overrun errors)
- I<sup>2</sup>C
  - Standard mode (Max 100 kbps) / Fast-mode (Max 400 kbps) supported
  - Fast mode Plus (Fm+) (Max 1000 kbps, only for ch.3=ch.A and ch.4=ch.B) supported

### DMA Controller (8 Channels)

DMA Controller has an independent bus for CPU, so CPU and DMA Controller can process simultaneously.

- 8 independently configured and operated channels
- Transfer can be started by software or request from the built-in peripherals
- Transfer address area: 32-bit (4 Gbytes)
- Transfer mode: Block transfer/Burst transfer/Demand transfer
- Transfer data type: bytes/half-word/word
- Transfer block count: 1 to 16
- Number of transfers: 1 to 65536

### DSTC (Descriptor System data Transfer Controller) (128 Channels)

The DSTC can transfer data at high-speed without going via the CPU. The DSTC adopts the Descriptor system and, following the specified contents of the Descriptor which has already been constructed on the memory, can access directly the memory /peripheral device and performs the data transfer operation.

It supports the software activation, the hardware activation and the chain activation functions.

### A/D Converter (Max 15 Channels) [12-bit A/D Converter]

- Successive Approximation type
- Built-in 2 units
- Conversion time: 0.5 μs @ 5 V
- Priority conversion available (priority at 2levels)
- Scanning conversion mode
- Built-in FIFO for conversion data storage (for SCAN conversion: 16steps, for Priority conversion: 4steps)

### DA Converter (Max 2 Channels)

- R-2R type
- 12-bit resolution

### Base Timer (Max 8 Channels)

Operation mode is selectable from the followings for each channel.

- 16-bit PWM timer

- 16-bit PPG timer
- 16-/32-bit reload timer
- 16-/32-bit PWC timer

### General Purpose I/O Port

This series can use its pins as general purpose I/O ports when they are not used for external bus or peripherals. Moreover, the port relocate function is built in. It can set which I/O port the peripheral function can be allocated.

- Capable of pull-up control per pin
- Capable of reading pin level directly
- Built-in the port relocate function
- Up to 48 high-speed general-purpose I/O ports @ 64 pin Package
- Some pin is 5 V tolerant I/O.  
See 4. Pin Description and 5. I/O Circuit Type for the corresponding pins.

### Multi-Function Timer (Max 2 Units)

The Multi-function timer is composed of the following blocks.

Minimum resolution: 6.25 ns

- 16-bit free-run timer × 3 ch./unit
- Input capture × 4 ch./unit
- Output compare × 6 ch./unit
- A/D activation compare × 6 ch./unit
- Waveform generator × 3 ch./unit
- 16-bit PPG timer × 3 ch./unit

The following function can be used to achieve the motor control.

- PWM signal output function
- DC chopper waveform output function
- Dead time function
- Input capture function
- A/D convertor activate function
- DTIF (Motor emergency stop) interrupt function

### Real-Time Clock (RTC)

The Real-time clock can count Year/Month/Day/Hour/Minute /Second/A day of the week from 00 to 99.

- Interrupt function with specifying date and time (Year/Month/Day/Hour/Minute) is available. This function is also available by specifying only Year, Month, Day, Hour or Minute.
- Timer interrupt function after set time or each set time.
- Capable of rewriting the time with continuing the time count.
- Leap year automatic count is available.

### Quadrature Position/Revolution Counter (QPRC) (1 Channel)

The Quadrature Position/Revolution Counter (QPRC) is used to measure the position of the position encoder. Moreover, it is possible to use up/down counter.

- The detection edge of the three external event input pins AIN, BIN, and ZIN is configurable.
- 16-bit position counter
- 16-bit revolution counter
- Two 16-bit compare registers

### Dual Timer (32-/16-bit Down Counter)

The Dual Timer consists of two programmable 32-/16-bit down counters.

Operation mode is selectable from the followings for each channel.

- Free-running
- Periodic (=Reload)
- One-shot

### Watch Counter

The Watch counter is used for wake up from the low-power consumption mode. It is possible to select the main clock, sub clock, built-in high-speed CR clock or built-in low-speed CR clock as the clock source.

Interval timer: up to 64 s (Max) @ Sub Clock: 32.768 kHz

### External Interrupt Controller Unit

- External interrupt input pin: Max 16 pins
- Include one non-maskable interrupt (NMI)

### Watchdog Timer (2 Channels)

A watchdog timer can generate interrupts or a reset when a time-out value is reached.

This series consists of two different watchdogs, a "Hardware" watchdog and a "Software" watchdog.

"Hardware" watchdog timer is clocked by low-speed internal CR oscillator. Therefore, "Hardware" watchdog is active in any power saving mode except STOP.

### CRC (Cyclic Redundancy Check) Accelerator

The CRC accelerator helps a verify data transmission or storage integrity.

CCITT CRC16 and IEEE-802.3 CRC32 are supported.

- CCITT CRC16 Generator Polynomial: 0x1021
- IEEE-802.3 CRC32 Generator Polynomial: 0x04C11DB7

### Clock and Reset

#### [Clocks]

Five clock sources (2 external oscillators, 2 internal CR oscillator, and Main PLL) that are dynamically selectable.

- Main clock: 4 MHz to 48 MHz
- Sub Clock: 32.768 kHz
- High-speed internal CR Clock: 4 MHz
- Low-speed internal CR Clock: 100 kHz
- Main PLL Clock

#### [Resets]

- Reset requests from INITX pin
- Power on reset
- Software reset
- Watchdog timers reset
- Low voltage detector reset
- Clock supervisor reset

### Clock Super Visor (CSV)

Clocks generated by internal CR oscillators are used to supervise abnormality of the external clocks.

- External OSC clock failure (clock stop) is detected, reset is asserted.
- External OSC frequency anomaly is detected, interrupt or reset is asserted.

### Low-Voltage Detector (LVD)

This Series include 2-stage monitoring of voltage on the VCC pins. When the voltage falls below the voltage has been set, Low-Voltage Detector generates an interrupt or reset.

- LVD1: error reporting via interrupt
- LVD2: auto-reset operation

### Low-Power Consumption Mode

Six low-power consumption modes are supported.

- SLEEP
- TIMER
- RTC
- STOP
- Deep standby RTC (selectable from with/without RAM retention)
- Deep standby stop (selectable from with/without RAM retention)

**VBAT**

The consumption power during the RTC operation can be reduced by supplying the power supply independent from the RTC (calendar circuit)/32 kHz oscillation circuit. The following circuits can also be used.

- RTC
- 32 kHz oscillation circuit
- Power-on circuit
- Back up register: 32 bytes
- Port circuit

**Debug**

- Serial Wire JTAG Debug Port (SWJ-DP)

**Unique ID**

Unique value of the device (41-bit) is set.

**Power Supply**

Two Power Supplies (when 64 pin Package)

One Power Supply (when 48 pin Package)

- Wide range voltage:  $VCC = 2.7\text{ V to }5.5\text{ V}$
- Power supply for VBAT (only 64 pin Package):  
 $VBAT = 2.7\text{ V to }5.5\text{ V}$

## Contents

<b>Features</b> .....	<b>1</b>
<b>1. Product Lineup</b> .....	<b>7</b>
<b>2. Packages</b> .....	<b>8</b>
<b>3. Pin Assignment</b> .....	<b>9</b>
<b>4. Pin Description</b> .....	<b>13</b>
4.1 List of Pin Numbers .....	13
4.2 List of Pin Functions .....	19
<b>5. I/O Circuit Type</b> .....	<b>28</b>
<b>6. Handling Precautions</b> .....	<b>35</b>
6.1 Precautions for Product Design .....	35
6.2 Precautions for Package Mounting.....	36
6.3 Precautions for Use Environment.....	37
<b>7. Handling Devices</b> .....	<b>38</b>
<b>8. Block Diagram</b> .....	<b>41</b>
<b>9. Memory Size</b> .....	<b>42</b>
<b>10. Memory Map</b> .....	<b>42</b>
<b>11. Pin Status in Each CPU State</b> .....	<b>45</b>
<b>12. Electrical Characteristics</b> .....	<b>52</b>
12.1 Absolute Maximum Ratings.....	52
12.2 Recommended Operating Conditions .....	53
12.3 DC Characteristics .....	57
12.3.1 Current Rating.....	57
12.3.2 Pin Characteristics .....	64
12.4 AC Characteristics.....	66
12.4.1 Main Clock Input Characteristics.....	66
12.4.2 Sub Clock Input Characteristics .....	67
12.4.3 Built-in CR Oscillation Characteristics.....	67
12.4.4 Operating Conditions of Main PLL (In the Case of Using Main Clock for Input Clock of PLL).....	68
12.4.5 Operating Conditions of Main PLL (In the Case of Using Built-in High-Speed CR Clock for Input Clock of Main PLL).....	68
12.4.6 Reset Input Characteristics .....	68
12.4.7 Power-on Reset Timing.....	69
12.4.8 GPIO Output Characteristics.....	70
12.4.9 Base Timer Input Timing .....	71
12.4.10 CSIO/UART Timing .....	72
12.4.11 External Input Timing.....	97
12.4.12 Quadrature Position/Revolution Counter Timing .....	98
12.4.13 I <sup>2</sup> C Timing.....	100
12.4.14 JTAG Timing.....	102
12.5 12-bit A/D Converter.....	103
12.6 12-bit D/A Converter.....	106
12.7 Low-Voltage Detection Characteristics.....	107
12.7.1 Low-Voltage Detection Reset.....	107
12.7.2 Interrupt of Low-Voltage Detection.....	107
12.8 MainFlash Memory Write/Erase Characteristics.....	108
12.9 WorkFlash Memory Write/Erase Characteristics .....	108
12.10 Standby Recovery Time .....	109

12.10.1 Recovery Cause: Interrupt/WKUP .....	109
12.10.2 Recovery Cause: Reset.....	111
<b>13. Ordering Information .....</b>	<b>113</b>
<b>14. Package Dimensions .....</b>	<b>114</b>
<b>15. Major Changes .....</b>	<b>119</b>
<b>Document History.....</b>	<b>120</b>
<b>Sales, Solutions, and Legal Information.....</b>	<b>123</b>



## 1. Product Lineup

### Memory Size

Product Name	MB9BF164K/L	MB9BF165K/L	MB9BF166K/L
MainFlash memory	256 Kbytes	384 Kbytes	512 Kbytes
WorkFlash memory	32 Kbytes	32 Kbytes	32 Kbytes
On-chip SRAM	32 Kbytes	48 Kbytes	64 Kbytes
SRAM0	16 Kbytes	24 Kbytes	32 Kbytes
SRAM1	8 Kbytes	12 Kbytes	16 Kbytes
SRAM1	8 Kbytes	12 Kbytes	16 Kbytes

### Function

Product Name	MB9BF164K MB9BF165K MB9BF166K	MB9BF164L MB9BF165L MB9BF166L
Pin count	48	64
CPU	Cortex-M4F, MPU, NVIC 128ch.	
Freq.	160 MHz	
Power supply voltage range	2.7 V to 5.5 V	
DMAC	8ch.	
DSTC	128ch.	
Multi-function Serial Interface (UART/CSIO/LIN/I <sup>2</sup> C)	6ch. (Max) (In ch.1, only I <sup>2</sup> C is available.)	6ch. (Max)
Base Timer (PWC/Reload timer/PWM/PPG)	8ch. (Max)	
MF Timer	A/D activation compare	6ch.
	Input capture	4ch.
	Free-run timer	3ch.
	Output compare	6ch.
	Waveform generator	3ch.
	PPG	3ch.
	1 unit	2 units (Max)
QPRC	1ch.	
Dual Timer	1 unit	
Real-Time Clock	1 unit	
Watch Counter	1 unit	
CRC Accelerator	Yes	
Watchdog Timer	1ch. (SW) + 1ch. (HW)	
External Interrupts	15 pins (Max) + NMI × 1	16 pins (Max) + NMI × 1
I/O Ports	33 pins (Max)	48 pins (Max)
12-bit A/D Converter	8ch. (2 units)	15ch. (2 units)
12-bit D/A Converter	2 units (Max)	
CSV (Clock Super Visor)	Yes	
LVD (Low-Voltage Detector)	2ch.	
Built-in CR	High-speed	4 MHz
	Low-speed	100 kHz
Debug Function	SWJ-DP	
Unique ID	Yes	

#### Note:

- All signals of the peripheral function in each product cannot be allocated by limiting the pins of package. It is necessary to use the port relocate function of the I/O port according to your function use.
- See “12. Electrical Characteristics 12.4. AC Characteristics 12.4.3. Internal CR Oscillation Characteristics” for accuracy of built-in CR.

## 2. Packages

Package \ Product Name	MB9BF164K MB9BF165K MB9BF166K	MB9BF164L MB9BF165L MB9BF166L
LQFP: LQG064 (0.65mm pitch)	-	○
LQFP: LQD064 (0.5mm pitch)	-	○
LQFP: LQA048 (0.5mm pitch)	○	-
QFN: VNC064 (0.5mm pitch)	-	○
QFN: VNA048 (0.5mm pitch)	○	-

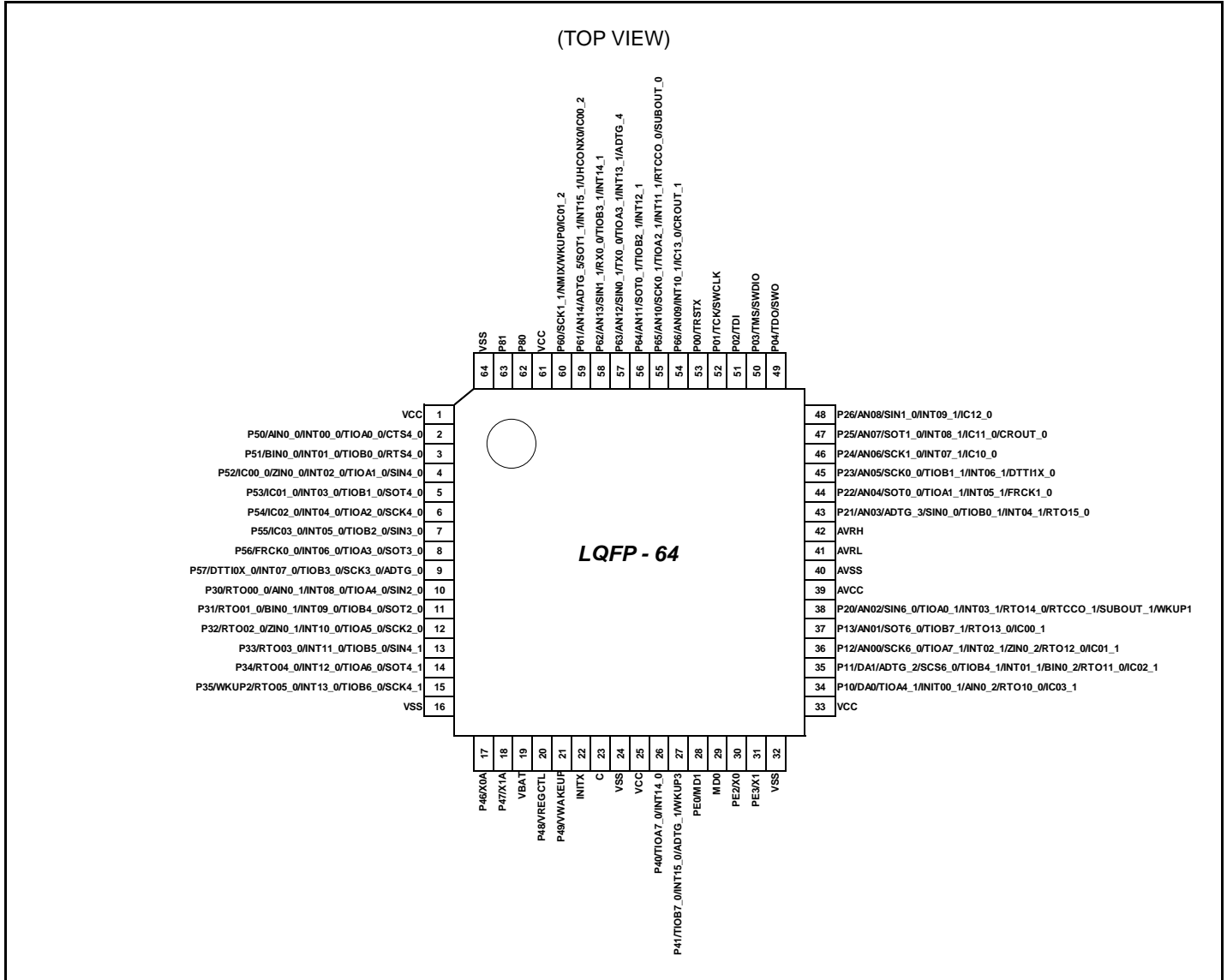
○: Supported

**Note:**

- See 14. Package Dimensions for detailed information on each package.

## 3. Pin Assignment

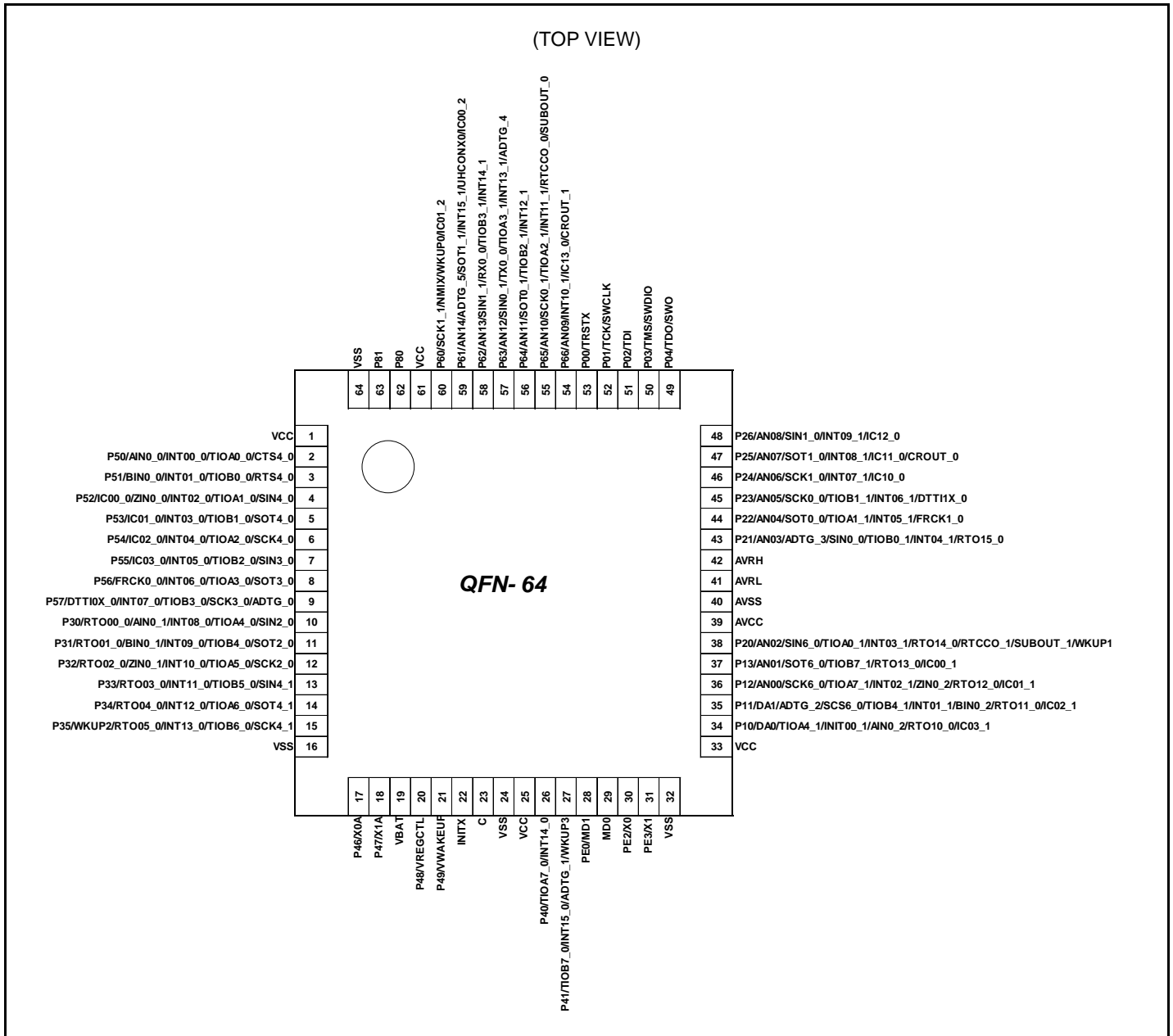
### LQD064/LQG064



**Note:**

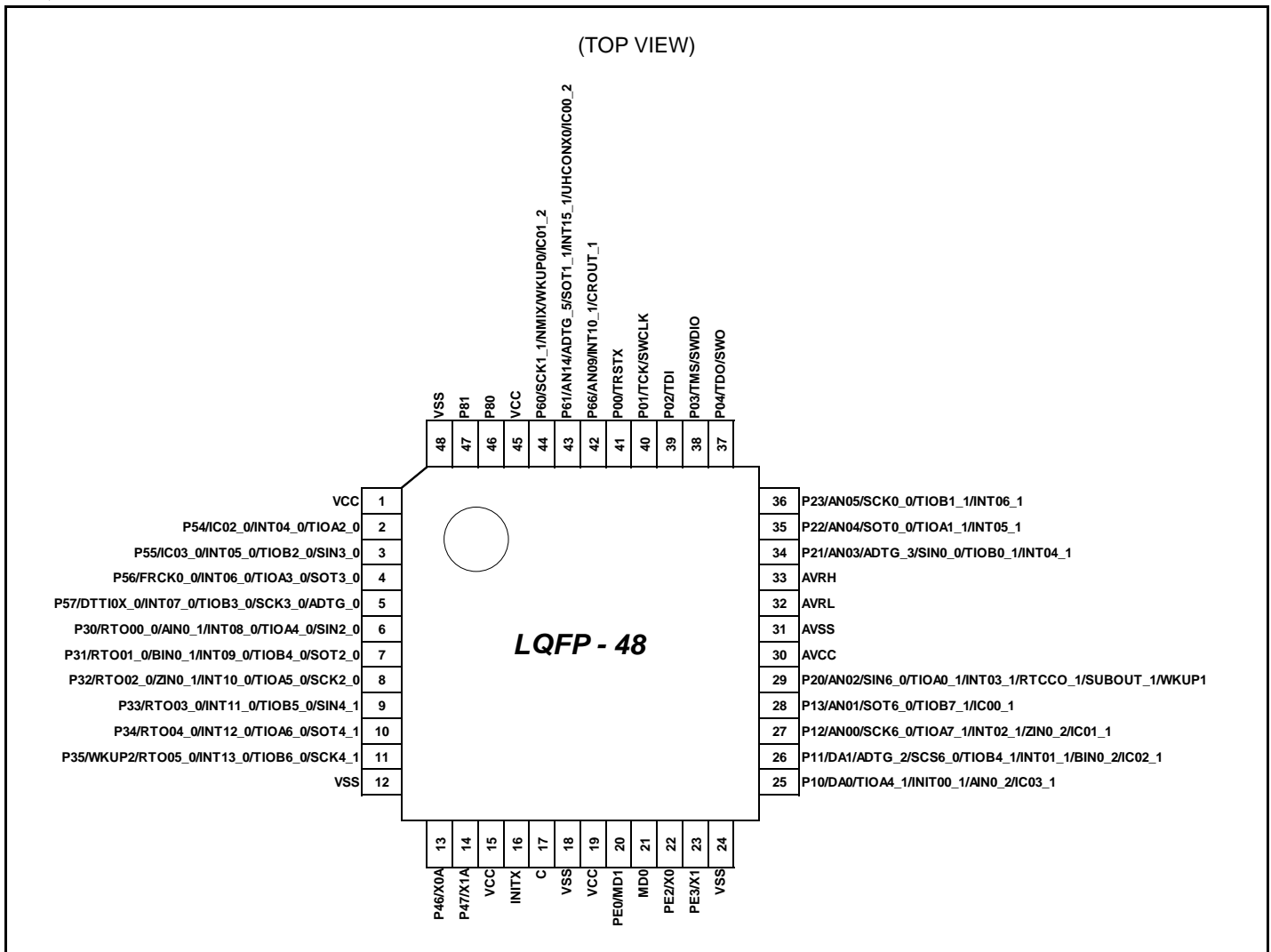
- The number after the underscore ("\_") in pin names such as XXX\_1 and XXX\_2 indicates the relocated port number. For these pins, there are multiple pins that provide the same function for the same channel. Use the extended port function register (EPFR) to select the pin.

## VNC064



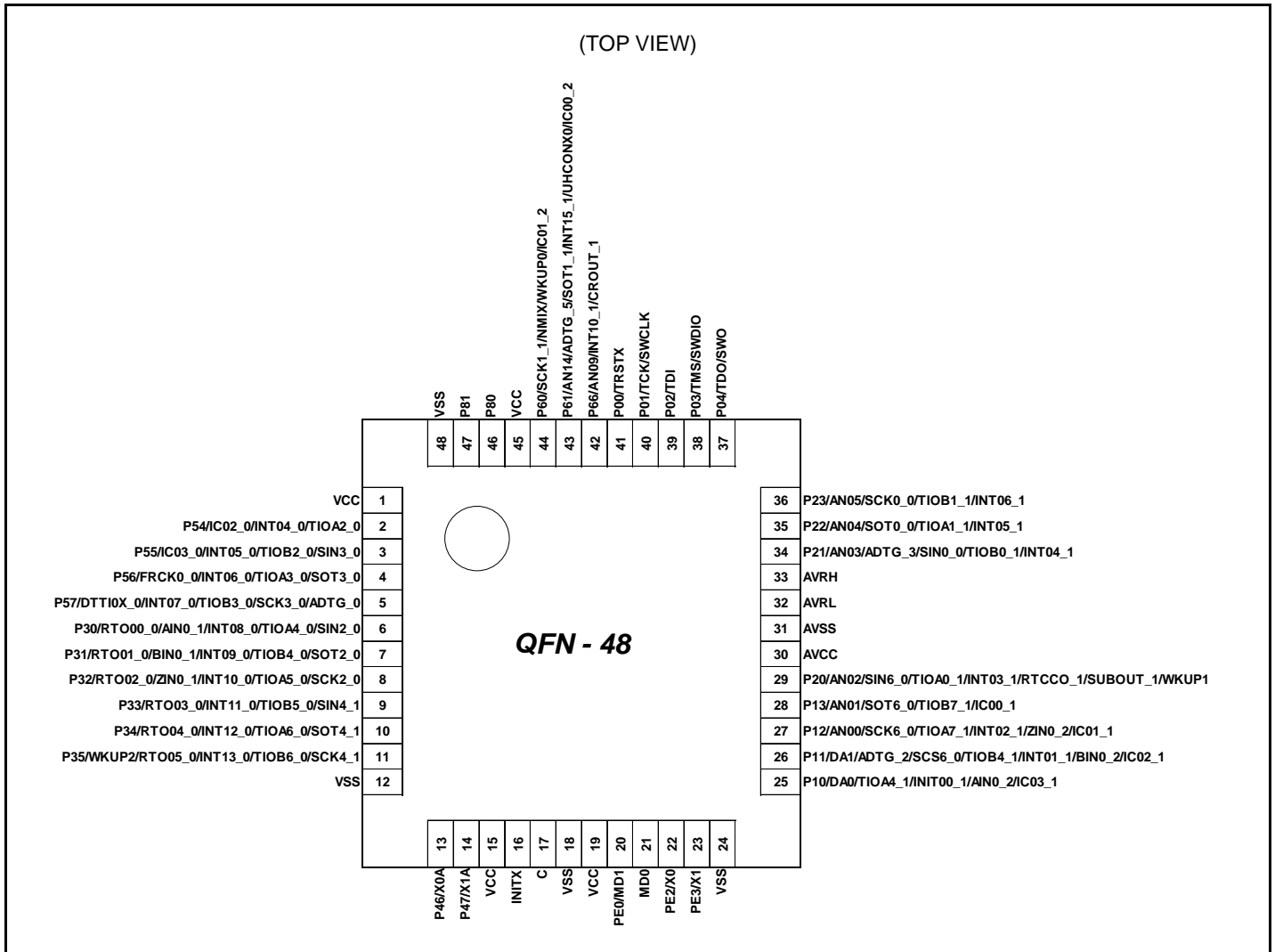
**Note:**

- The number after the underscore ("\_") in pin names such as XXX\_1 and XXX\_2 indicates the relocated port number. For these pins, there are multiple pins that provide the same function for the same channel. Use the extended port function register (EPFR) to select the pin.

**LQA048**

**Note:**

- The number after the underscore ("\_") in pin names such as XXX\_1 and XXX\_2 indicates the relocated port number. For these pins, there are multiple pins that provide the same function for the same channel. Use the extended port function register (EPFR) to select the pin.

## VNA048



**Note:**

- The number after the underscore ("\_") in pin names such as XXX\_1 and XXX\_2 indicates the relocated port number. For these pins, there are multiple pins that provide the same function for the same channel. Use the extended port function register (EPFR) to select the pin.

## 4. Pin Description

### 4.1 List of Pin Numbers

The number after the underscore ("\_") in pin names such as XXX\_1 and XXX\_2 indicates the relocated port number. For these pins, there are multiple pins that provide the same function for the same channel. Use the extended port function register (EPFR) to select the pin.

Pin No		Pin Name	I/O Circuit Type	Pin State Type
LQFP64 QFN64	LQFP48 QFN48			
1	1	VCC	-	-
2	-	P50	E	K
		AIN0_0		
		INT00_0		
		TIOA0_0		
		CTS4_0		
3	-	P51	E	K
		BIN0_0		
		INT01_0		
		TIOB0_0		
		RTS4_0		
4	-	P52	I	K
		IC00_0		
		ZIN0_0		
		INT02_0		
		TIOA1_0		
		SIN4_0		
5	-	P53	N	K
		IC01_0		
		INT03_0		
		TIOB1_0		
		SOT4_0 (SDA4_0)		
6	2	P54	N	K
	-	IC02_0		
		INT04_0		
		TIOA2_0		
		SCK4_0 (SCL4_0)		
7	3	P55	I	K
		IC03_0		
		INT05_0		
		TIOB2_0		
		SIN3_0		
8	4	P56	N	K
		FRCK0_0		
		INT06_0		
		TIOA3_0		
		SOT3_0 (SDA3_0)		

Pin No		Pin Name	I/O Circuit Type	Pin State Type
LQFP64 QFN64	LQFP48 QFN48			
9	5	P57	N	K
		DTTIOX_0		
		INT07_0		
		TIOB3_0		
		SCK3_0 (SCL3_0)		
		ADTG_0		
10	6	P30	G	K
		RTO00_0		
		AIN0_1		
		INT08_0		
		TIOA4_0		
		SIN2_0		
11	7	P31	G	K
		RTO01_0		
		BIN0_1		
		INT09_0		
		TIOB4_0		
		SOT2_0 (SDA2_0)		
12	8	P32	G	K
		RTO02_0		
		ZIN0_1		
		INT10_0		
		TIOA5_0		
		SCK2_0 (SCL2_0)		
13	9	P33	G	K
		RTO03_0		
		INT11_0		
		TIOB5_0		
		SIN4_1		
14	10	P34	G	K
		RTO04_0		
		INT12_0		
		TIOA6_0		
		SOT4_1 (SDA4_1)		
15	11	P35	G	Q
		WKUP2		
		RTO05_0		
		INT13_0		
		TIOB6_0		
		SCK4_1 (SCL4_1)		



Pin No		Pin Name	I/O Circuit Type	Pin State Type
LQFP64 QFN64	LQFP48 QFN48			
16	12	VSS	-	-
17	13	P46	P	S
		X0A		
18	14	P47	Q	T
		X1A		
19		VBAT	-	-
-	15	VCC	-	-
20	-	P48	O	U
		VREGCTL		
21	-	P49	O	U
		VWAKEUP		
22	16	INITX	B	C
23	17	C	-	-
24	18	VSS	-	-
25	19	VCC	-	-
26	-	P40	E	K
		TIOA7_0		
		INT14_0		
27	-	P41	E	Q
		TIOB7_0		
		INT15_0		
		ADTG_1		
		WKUP3		
28	20	PE0	C	E
		MD1		
29	21	MD0	J	D
30	22	PE2	A	A
		X0		
31	23	PE3	A	B
		X1		
32	24	VSS	-	-
33	-	VCC	-	-
34	25	P10	R	J
		DA0		
		TIOA4_1		
		INT00_1		
		AIN0_2		
	IC03_1			
	-	RTO10_0		
35	26	P11	R	J
		DA1		
		ADTG_2		
		SCS6_0		
		TIOB4_1		
		INT01_1		
		BIN0_2		
	IC02_1			
	-	RTO11_0		

Pin No		Pin Name	I/O Circuit Type	Pin State Type
LQFP64 QFN64	LQFP48 QFN48			
36	27	P12	M	M
		AN00		
		SCK6_0		
		TIOA7_1		
		INT02_1		
		ZIN0_2		
		IC01_1		
-	RTO12_0			
37	28	P13	M	L
		AN01		
		SOT6_0 (SDA6_0)		
		TIOB7_1		
		IC00_1		
		-		
38	29	P20	F	O
		AN02		
		SIN6_0		
		TIOA0_1		
		INT03_1		
		RTCCO_1		
		SUBOUT_1		
		WKUP1		
-	RTO14_0			
39	30	AVCC	-	-
40	31	AVSS	-	-
41	32	AVRL	-	-
42	33	AVRH	-	-
43	34	P21	F	M
		AN03		
		ADTG_3		
		SIN0_0		
		TIOB0_1		
		INT04_1		
-	RTO15_0			
44	35	P22	F	M
		AN04		
		SOT0_0 (SDA0_0)		
		TIOA1_1		
		INT05_1		
-	FRCK1_0			
45	36	P23	F	M
		AN05		
		SCK0_0 (SCL0_0)		
		TIOB1_1		
		INT06_1		
		-		

Pin No		Pin Name	I/O Circuit Type	Pin State Type
LQFP64 QFN64	LQFP48 QFN48			
46	-	P24	F	M
		AN06		
		SCK1_0 (SCL1_0)		
		INT07_1		
		IC10_0		
47	-	P25	F	M
		AN07		
		SOT1_0 (SDA1_0)		
		INT08_1		
		IC11_0		
48	-	CROUT_0	F	M
		P26		
		AN08		
		SIN1_0		
		INT09_1		
49	37	IC12_0	E	G
		P04		
		TDO		
		SWO		
		P03		
50	38	TMS	E	G
		SWDIO		
		P02		
51	39	TDI	E	G
		P01		
52	40	TCK	E	G
		SWCLK		
		P00		
53	41	TRSTX	E	G
		P66		
		AN09		
54	42	INT10_1	F	M
		CROUT_1		
		IC13_0		
		P65		
	55	-		
SCK0_1 (SCL0_1)				
TIOA2_1				
INT11_1				
RTCCO_0				
SUBOUT_0				
P64				
56	-	AN11	L	M
		SOT0_1 (SDA0_1)		
		TIOB2_1		
		INT12_1		

Pin No		Pin Name	I/O Circuit Type	Pin State Type
LQFP64 QFN64	LQFP48 QFN48			
57	-	P63	F	M
		AN12		
		SIN0_1		
		TIOA3_1		
		INT13_1		
		ADTG_4		
58	-	P62	F	M
		AN13		
		SIN1_1		
		TIOB3_1		
		INT14_1		
59	43	P61	F	M
		AN14		
		ADTG_5		
		SOT1_1 (SDA1_1)		
		INT15_1		
		IC00_2		
60	44	P60	I	F
		SCK1_1 (SCK1_1)		
		NMIX		
		WKUP0		
		IC01_2		
61	45	VCC	-	-
62	46	P80	H	R
63	47	P81	H	R
64	48	VSS	-	-

#### 4.2 List of Pin Functions

The number after the underscore ("\_") in pin names such as XXX\_1 and XXX\_2 indicates the relocated port number. For these pins, there are multiple pins that provide the same function for the same channel. Use the extended port function register (EPFR) to select the pin.

Pin Function	Pin Name	Function Description	Pin No	
			LQFP64 QFN64	LQFP48 QFN48
ADC	ADTG_0	A/D converter external trigger input pin	9	5
	ADTG_1		27	-
	ADTG_2		35	26
	ADTG_3		43	34
	ADTG_4		57	-
	ADTG_5		59	43
	AN00	A/D converter analog input pin. ANxx describes ADC ch.xx.	36	27
	AN01		37	28
	AN02		38	29
	AN03		43	34
	AN04		44	35
	AN05		45	36
	AN06		46	-
	AN07		47	-
	AN08		48	-
	AN09		54	42
	AN10		55	-
	AN11		56	-
	AN12		57	-
	AN13		58	-
AN14	59	43		
Base Timer 0	TIOA0_0	Base timer ch.0 TIOA pin	2	-
	TIOA0_1	Base timer ch.0 TIOA pin	38	29
	TIOB0_0	Base timer ch.0 TIOB pin	3	-
	TIOB0_1	Base timer ch.0 TIOB pin	43	34
Base Timer 1	TIOA1_0	Base timer ch.1 TIOA pin	4	-
	TIOA1_1	Base timer ch.1 TIOA pin	44	35
	TIOB1_0	Base timer ch.1 TIOB pin	5	-
	TIOB1_1	Base timer ch.1 TIOB pin	45	36
Base Timer 2	TIOA2_0	Base timer ch.2 TIOA pin	6	2
	TIOA2_1	Base timer ch.2 TIOA pin	55	-
	TIOB2_0	Base timer ch.2 TIOB pin	7	3
	TIOB2_1	Base timer ch.2 TIOB pin	56	-
Base Timer 3	TIOA3_0	Base timer ch.3 TIOA pin	8	4
	TIOA3_1	Base timer ch.3 TIOA pin	57	-
	TIOB3_0	Base timer ch.3 TIOB pin	9	5
	TIOB3_1	Base timer ch.3 TIOB pin	58	-
Base Timer 4	TIOA4_0	Base timer ch.4 TIOA pin	10	6
	TIOA4_1	Base timer ch.4 TIOA pin	34	25
	TIOB4_0	Base timer ch.4 TIOB pin	11	7
	TIOB4_1	Base timer ch.4 TIOB pin	35	26
Base Timer 5	TIOA5_0	Base timer ch.5 TIOA pin	12	8
	TIOB5_0	Base timer ch.5 TIOB pin	13	9

Pin Function	Pin Name	Function Description	Pin No	
			LQFP64 QFN64	LQFP48 QFN48
Base Timer 6	TIOA6_0	Base timer ch.6 TIOA pin	14	10
	TIOB6_0	Base timer ch.6 TIOB pin	15	11
Base Timer 7	TIOA7_0	Base timer ch.7 TIOA pin	26	-
	TIOA7_1		36	27
	TIOB7_0	Base timer ch.7 TIOB pin	27	-
	TIOB7_1		37	28
Debugger	SWCLK	Serial wire debug interface clock input pin	52	40
	SWDIO	Serial wire debug interface data input / output pin	50	38
	SWO	Serial wire viewer output pin	49	37
	TCK	JTAG test clock input pin	52	40
	TDI	JTAG test data input pin	51	39
	TDO	JTAG debug data output pin	49	37
	TMS	JTAG test mode state input/output pin	50	38
	TRSTX	JTAG test reset Input pin	53	41
External Interrupt	INT00_0	External interrupt request 00 input pin	2	-
	INT00_1		34	25
	INT01_0	External interrupt request 01 input pin	3	-
	INT01_1		35	26
	INT02_0	External interrupt request 02 input pin	4	-
	INT02_1		36	27
	INT03_0	External interrupt request 03 input pin	5	-
	INT03_1		38	29
	INT04_0	External interrupt request 04 input pin	6	2
	INT04_1		43	34
INT05_0	External interrupt request 05 input pin	7	3	
INT05_1		44	35	

Pin Function	Pin Name	Function Description	Pin No	
			LQFP64 QFN64	LQFP48 QFN48
External Interrupt	INT06_0	External interrupt request 06 input pin	8	4
	INT06_1		45	36
	INT07_0	External interrupt request 07 input pin	9	5
	INT07_1		46	-
	INT08_0	External interrupt request 08 input pin	10	6
	INT08_1		47	-
	INT09_0	External interrupt request 09 input pin	11	7
	INT09_1		48	-
	INT10_0	External interrupt request 10 input pin	12	8
	INT10_1		54	42
	INT11_0	External interrupt request 11 input pin	13	9
	INT11_1		55	-
	INT12_0	External interrupt request 12 input pin	14	10
	INT12_1		56	-
	INT13_0	External interrupt request 13 input pin	15	11
	INT13_1		57	-
	INT14_0	External interrupt request 14 input pin	26	-
INT14_1	58		-	
INT15_0	External interrupt request 15 input pin	27	-	
INT15_1		59	43	
	NMIX	Non-Maskable Interrupt input pin	60	44
GPIO	P00	General-purpose I/O port 0	53	41
	P01		52	40
	P02		51	39
	P03		50	38
	P04		49	37
	P10	General-purpose I/O port 1	34	25
	P11		35	26
	P12		36	27
	P13		37	28
	P20	General-purpose I/O port 2	38	29
	P21		43	34
	P22		44	35
	P23		45	36
	P24		46	-
	P25		47	-
	P26	48	-	
	P30	General-purpose I/O port 3	10	6
	P31		11	7
	P32		12	8
	P33		13	9
P34	14		10	
P35	15		11	

Pin Function	Pin Name	Function Description	Pin No	
			LQFP64 QFN64	LQFP48 QFN48
GPIO	P40	General-purpose I/O port 4	26	-
	P41		27	-
	P46		17	13
	P47		18	14
	P48		20	-
	P49		21	-
	P50	General-purpose I/O port 5	2	-
	P51		3	-
	P52		4	-
	P53		5	-
	P54		6	2
	P55		7	3
	P56		8	4
	P57	9	5	
	P60	General-purpose I/O port 6	60	44
	P61		59	43
	P62		58	-
	P63		57	-
	P64		56	-
	P65		55	-
	P66	54	42	
P80	General-purpose I/O port 8	62	46	
P81		63	47	
PE0	General-purpose I/O port E	28	20	
PE2		30	22	
PE3		31	23	



Pin Function	Pin Name	Function Description	Pin No	
			LQFP64 QFN64	LQFP48 QFN48
Multi-function Serial 0	SIN0_0	Multi-function serial interface ch.0 input pin	43	34
	SIN0_1		57	-
	SOT0_0 (SDA0_0)	Multi-function serial interface ch.0 output pin. This pin operates as SOT0 when it is used in a UART/CSIO/LIN (operation modes 0 to 3) and as SDA0 when it is used in an I <sup>2</sup> C (operation mode 4).	44	35
	SOT0_1 (SDA0_1)		56	-
	SCK0_0 (SCL0_0)	Multi-function serial interface ch.0 clock I/O pin. This pin operates as SCK0 when it is used in a CSIO (operation modes 2) and as SCL0 when it is used in an I <sup>2</sup> C (operation mode 4).	45	36
	SCK0_1 (SCL0_1)		55	-
Multi-function Serial 1	SIN1_0	Multi-function serial interface ch.1 input pin	48	-
	SIN1_1		58	-
	SOT1_0 (SDA1_0)	Multi-function serial interface ch.1 output pin. This pin operates as SOT1 when it is used in a UART/CSIO/LIN (operation modes 0 to 3) and as SDA1 when it is used in an I <sup>2</sup> C (operation mode 4).	47	-
	SOT1_1 (SDA1_1)		59	43
	SCK1_0 (SCL1_0)	Multi-function serial interface ch.1 clock I/O pin. This pin operates as SCK1 when it is used in a CSIO (operation modes 2) and as SCL1 when it is used in an I <sup>2</sup> C (operation mode 4).	46	-
	SCK1_1 (SCL1_1)		60	44
Multi-function Serial 2	SIN2_0	Multi-function serial interface ch.2 input pin	10	6
	SOT2_0 (SDA2_0)	Multi-function serial interface ch.2 output pin. This pin operates as SOT2 when it is used in a UART/CSIO/LIN (operation modes 0 to 3) and as SDA2 when it is used in an I <sup>2</sup> C (operation mode 4).	11	7
	SCK2_0 (SCL2_0)	Multi-function serial interface ch.2 clock I/O pin. This pin operates as SCK2 when it is used in a CSIO (operation modes 2) and as SCL2 when it is used in an I <sup>2</sup> C (operation mode 4).	12	8

Pin Function	Pin Name	Function Description	Pin No	
			LQFP64 QFN64	LQFP48 QFN48
Multi-function Serial 3	SIN3_0	Multi-function serial interface ch.3 input pin	7	3
	SOT3_0 (SDA3_0)	Multi-function serial interface ch.3 output pin. This pin operates as SOT3 when it is used in a UART/CSIO/LIN (operation modes 0 to 3) and as SDA3 when it is used in an I <sup>2</sup> C (operation mode 4).	8	4
	SCK3_0 (SCL3_0)	Multi-function serial interface ch.3 clock I/O pin. This pin operates as SCK3 when it is used in a CSIO (operation modes 2) and as SCL3 when it is used in an I <sup>2</sup> C (operation mode 4).	9	5
Multi-function Serial 4	SIN4_0	Multi-function serial interface ch.4 input pin	4	-
	SIN4_1		13	9
	SOT4_0 (SDA4_0)	Multi-function serial interface ch.4 output pin. This pin operates as SOT4 when it is used in a UART/CSIO/LIN (operation modes 0 to 3) and as SDA4 when it is used in an I <sup>2</sup> C (operation mode 4).	5	-
	SOT4_1 (SDA4_1)		14	10
	SCK4_0 (SCL4_0)	Multi-function serial interface ch.4 clock I/O pin. This pin operates as SCK4 when it is used in a CSIO (operation modes 2) and as SCL4 when it is used in an I <sup>2</sup> C (operation mode 4).	6	-
	SCK4_1 (SCL4_1)		15	11
	CTS4_0	Multi-function serial interface ch.4 CTS input pin	2	-
RTS4_0	Multi-function serial interface ch.4 RTS output pin	3	-	
Multi-function Serial 6	SIN6_0	Multi-function serial interface ch.6 input pin	38	29
	SOT6_0 (SDA6_0)	This pin operates as SOT6 when it is used in a UART/CSIO/LIN (operation modes 0 to 3) and as SDA6 when it is used in an I <sup>2</sup> C (operation mode 4).	37	28
	SCK6_0 (SCL6_0)	Multi-function serial interface ch.6 clock I/O pin. This pin operates as SCK6 when it is used in a CSIO (operation modes 2) and as SCL6 when it is used in an I <sup>2</sup> C (operation mode 4).	36	27
	SCS6_0	Multi-function serial interface ch.6 serial chip select pin	35	26

Pin Function	Pin Name	Function Description	Pin No	
			LQFP64 QFN64	LQFP48 QFN48
Multi- function Timer 0	DTTI0X_0	Input signal controlling wave form generator outputs RTO00 to RTO05 of Multi-function timer 0.	9	5
	FRCK0_0	16-bit free-run timer ch.0 external clock input pin	8	4
	IC00_0	16-bit input capture ch.0 input pin of Multi-function timer 0. ICxx describes channel number.	4	-
	IC00_1		37	28
	IC00_2		59	43
	IC01_0		5	-
	IC01_1		36	27
	IC01_2		60	44
	IC02_0		6	2
	IC02_1		35	26
	IC03_0		7	3
	IC03_1		34	25
	RTO00_0 (PPG00_0)	Wave form generator output pin of Multi-function timer 0. This pin operates as PPG00 when it is used in PPG0 output modes.	10	6
	RTO01_0 (PPG00_0)	Wave form generator output pin of Multi-function timer 0. This pin operates as PPG00 when it is used in PPG0 output modes.	11	7
	RTO02_0 (PPG02_0)	Wave form generator output pin of Multi-function timer 0. This pin operates as PPG02 when it is used in PPG0 output modes.	12	8
	RTO03_0 (PPG02_0)	Wave form generator output pin of Multi-function timer 0. This pin operates as PPG02 when it is used in PPG0 output modes.	13	9
	RTO04_0 (PPG04_0)	Wave form generator output pin of Multi-function timer 0. This pin operates as PPG04 when it is used in PPG0 output modes.	14	10
RTO05_0 (PPG04_0)	Wave form generator output pin of Multi-function timer 0. This pin operates as PPG04 when it is used in PPG0 output modes.	15	11	

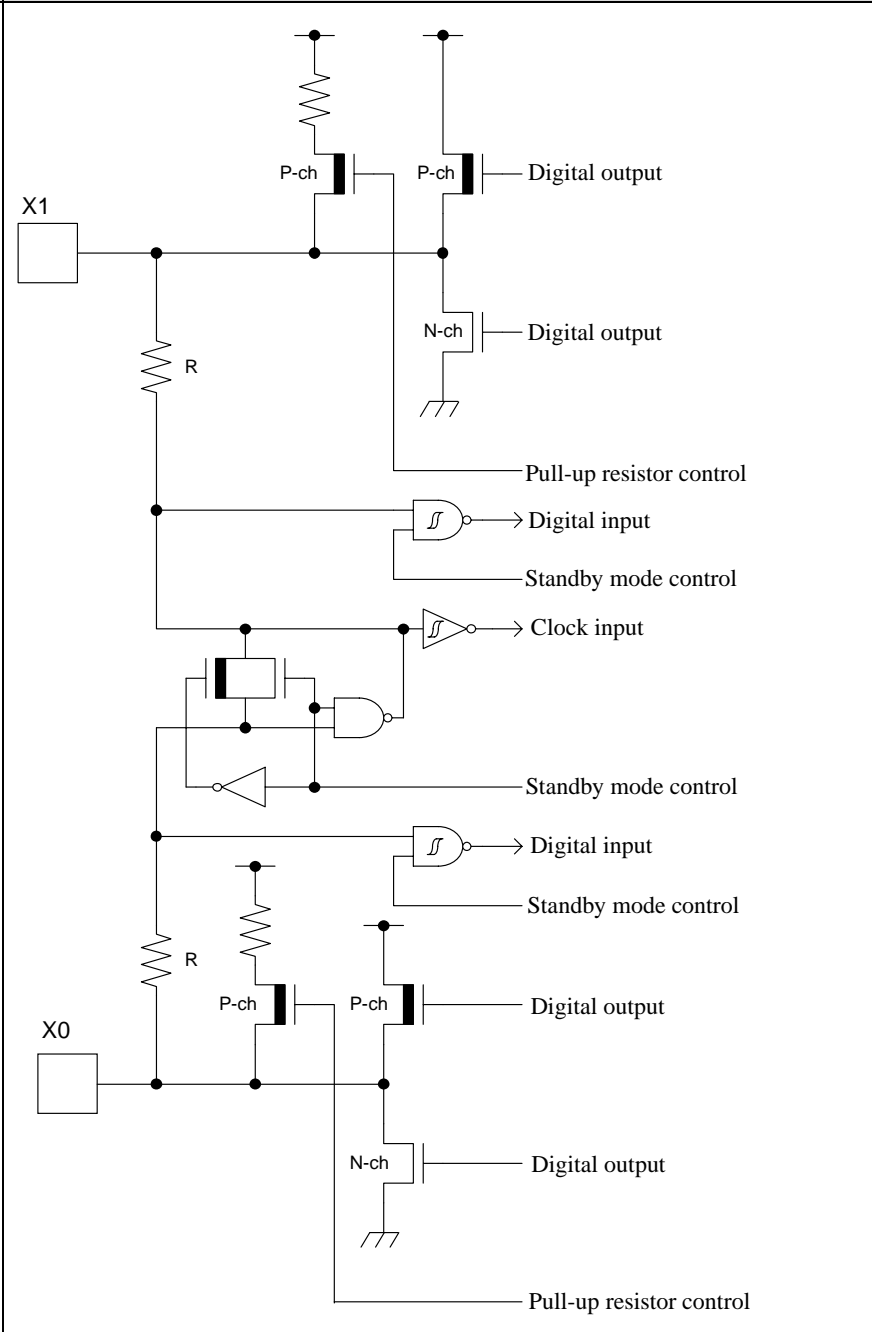
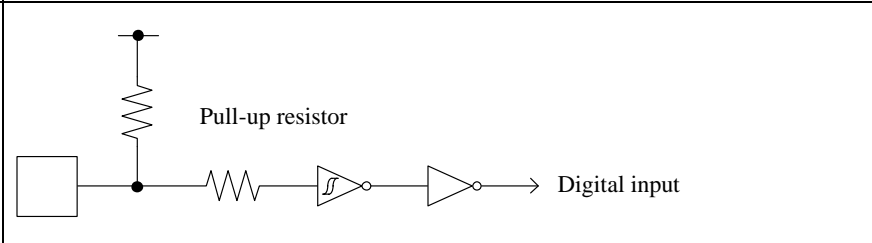
Pin Function	Pin Name	Function Description	Pin No	
			LQFP64 QFN64	LQFP48 QFN48
Multi-function Timer 1	DTT1X_0	Input signal controlling wave form generator outputs RTO10 to RTO15 of Multi-function timer 1.	45	-
	FRCK1_0	16-bit free-run timer ch.1 external clock input pin	44	-
	IC10_0	16-bit input capture ch.1 input pin of Multi-function timer 1. ICxx describes channel number.	46	-
	IC11_0		47	-
	IC12_0		48	-
	IC13_0		54	-
	RTO10_0 (PPG10_0)	Wave form generator output pin of Multi-function timer 1. This pin operates as PPG10 when it is used in PPG1 output modes.	34	-
	RTO11_0 (PPG10_0)	Wave form generator output pin of Multi-function timer 1. This pin operates as PPG10 when it is used in PPG1 output modes.	35	-
	RTO12_0 (PPG12_0)	Wave form generator output pin of Multi-function timer 1. This pin operates as PPG12 when it is used in PPG1 output modes.	36	-
	RTO13_0 (PPG12_0)	Wave form generator output pin of Multi-function timer 1. This pin operates as PPG12 when it is used in PPG1 output modes.	37	-
	RTO14_0 (PPG14_0)	Wave form generator output pin of Multi-function timer 1. This pin operates as PPG14 when it is used in PPG1 output modes.	38	-
	RTO15_0 (PPG14_0)	Wave form generator output pin of Multi-function timer 1. This pin operates as PPG14 when it is used in PPG1 output modes.	43	-
Quadrature Position/ Revolution Counter 0	AIN0_0	QPRC ch.0 AIN input pin	2	-
	AIN0_1		10	6
	AIN0_2		34	25
	BIN0_0	QPRC ch.0 BIN input pin	3	-
	BIN0_1		11	7
	BIN0_2		35	26
	ZIN0_0	QPRC ch.0 ZIN input pin	4	-
	ZIN0_1		12	8
	ZIN0_2		36	36

Pin Function	Pin Name	Function Description	Pin No	
			LQFP64 QFN64	LQFP48 QFN48
Real-time clock	RTCCO_0	0.5 seconds pulse output pin of Real-time clock	55	-
	RTCCO_1	Sub clock output pin	38	29
	SUBOUT_0	Sub clock output pin	55	-
	SUBOUT_1		38	29
Low-Power Consumption Mode	WKUP0	Deep standby mode return signal input pin 0	60	44
	WKUP1	Deep standby mode return signal input pin 1	38	29
	WKUP2	Deep standby mode return signal input pin 2	15	11
	WKUP3	Deep standby mode return signal input pin 3	27	-
DAC	DA0	D/A converter ch.0 analog output pin	34	25
	DA1	D/A converter ch.1 analog output pin	35	26
VBAT	VREGCTL	On-board regulator control pin	20	-
	VWAKEUP	The return signal input pin from a hibernation state	21	-
Reset	INITX	External Reset Input pin. A reset is valid when INITX="L".	22	16
Mode	MD1	Mode 1 pin. During serial programming to Flash memory, MD1="L" must be input.	28	20
	MD0	Mode 0 pin. During normal operation, MD0="L" must be input. During serial programming to Flash memory, MD0="H" must be input.	29	21
Power	VCC	Power supply Pin	1	1
			-	15
			25	19
			33	-
GND	VSS	GND Pin	61	45
			16	12
			24	18
			32	24
Clock	X0	Main clock (oscillation) input pin	30	22
	X1	Main clock (oscillation) I/O pin	31	23
	X0A	Sub clock (oscillation) input pin	17	13
	X1A	Sub clock (oscillation) I/O pin	18	14
	CROUT_0	Built-in high-speed CR-osc clock output port	47	-
	CROUT_1		54	42
Analog Power	AVCC	A/D converter and D/A converter analog power supply pin	39	30
	AVRH	A/D converter analog reference voltage input pin	42	33
VBAT Power	VBAT	VBAT power supply pin. Backup power supply (battery etc.) and system power supply.	19	-
Analog GND	AVSS	A/D converter and D/A converter GND pin	40	31
	AVRL	A/D converter analog reference voltage input pin	41	32
C pin	C	Power supply stabilization capacity pin	23	17

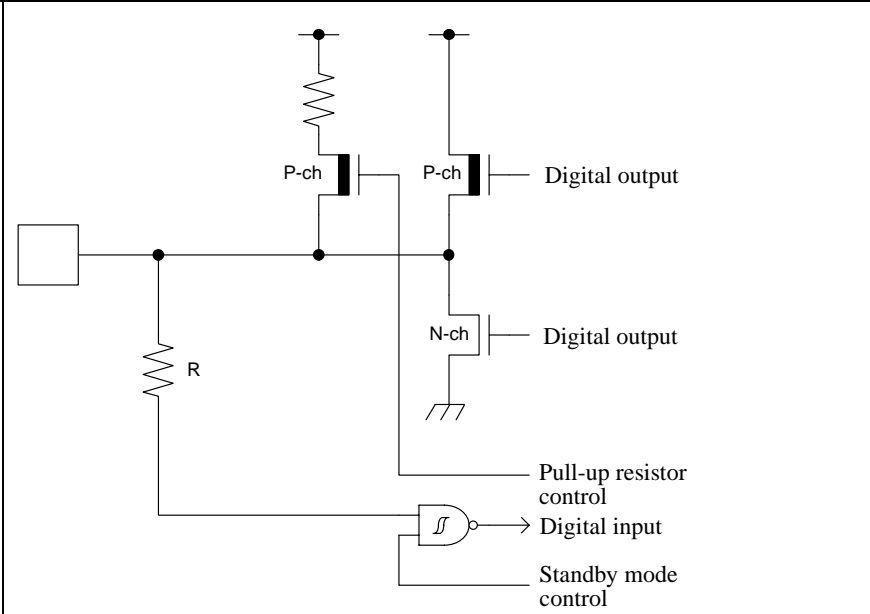
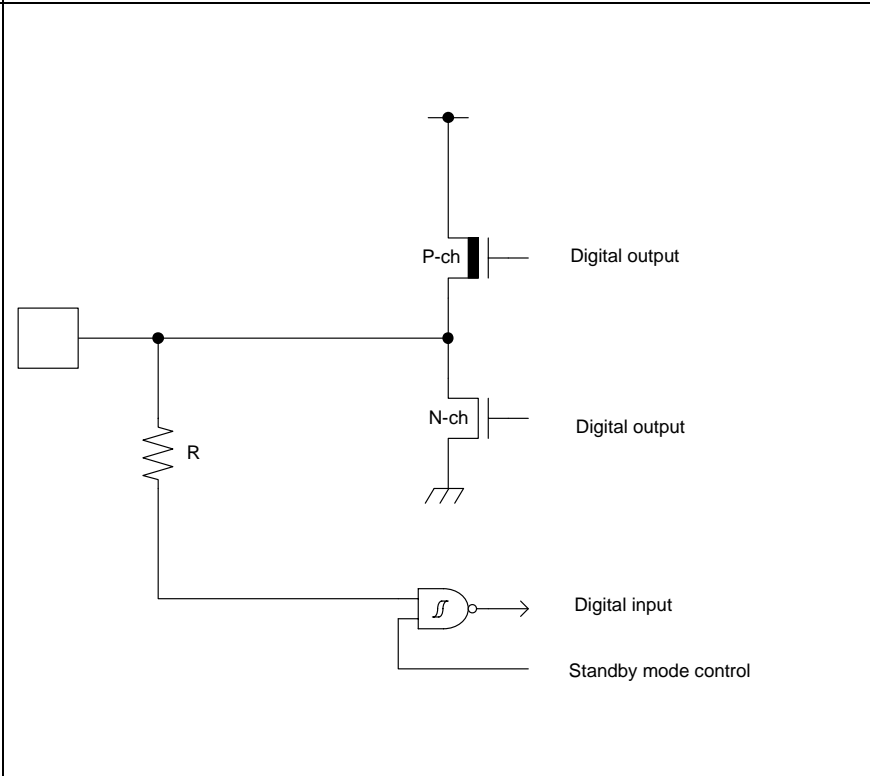
**Note:**

- While this device contains a Test Access Port (TAP) based on the IEEE 1149.1-2001 JTAG standard, it is not fully compliant to all requirements of that standard. This device may contain a 32-bit device ID that is the same as the 32-bit device ID in other devices with different functionality. The TAP pins may also be configurable for purposes other than access to the TAP controller.

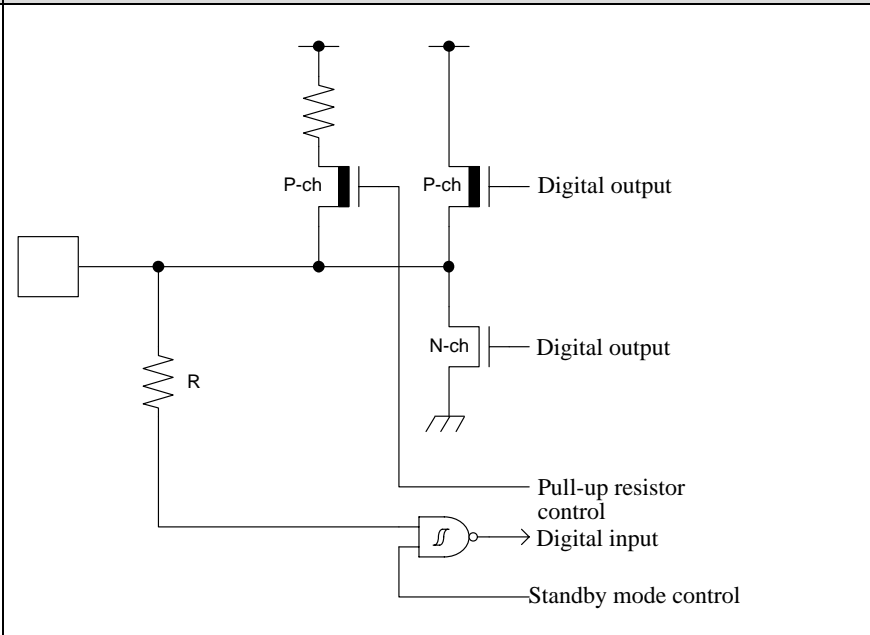
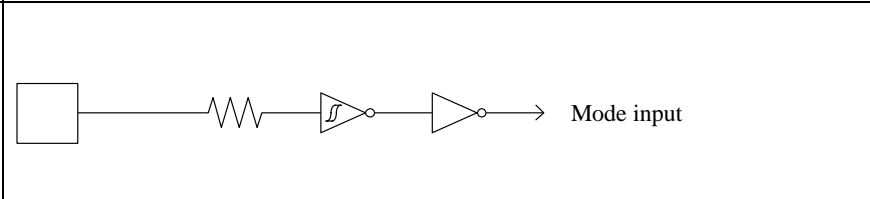
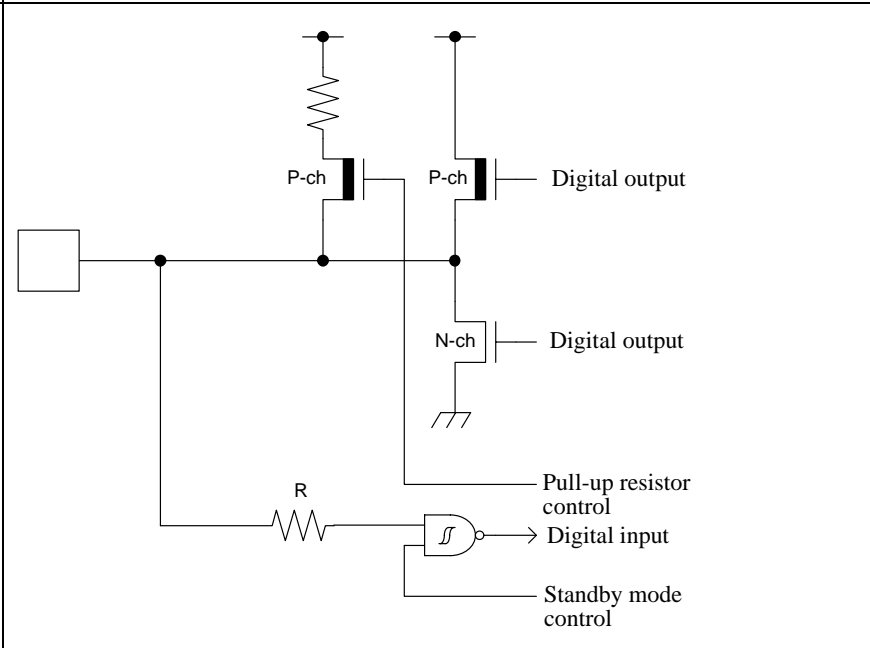
**5. I/O Circuit Type**

Type	Circuit	Remarks
A		<p>It is possible to select the main oscillation / GPIO function</p> <p>When the main oscillation is selected.</p> <ul style="list-style-type: none"> <li>• Oscillation feedback resistor : Approximately 1 MΩ</li> <li>• With Standby mode control</li> </ul> <p>When the GPIO is selected.</p> <ul style="list-style-type: none"> <li>• CMOS level output.</li> <li>• CMOS level hysteresis input</li> <li>• With pull-up resistor control</li> <li>• With standby mode control</li> <li>• Pull-up resistor : Approximately 50 kΩ</li> <li>• <math>I_{OH} = -4 \text{ mA}</math>, <math>I_{OL} = 4 \text{ mA}</math></li> </ul>
B		<ul style="list-style-type: none"> <li>• CMOS level hysteresis input</li> <li>• Pull-up resistor : Approximately 50 kΩ</li> </ul>

Type	Circuit	Remarks
C		<ul style="list-style-type: none"> <li>• Open drain output</li> <li>• CMOS level hysteresis input</li> </ul>
E		<ul style="list-style-type: none"> <li>• CMOS level output</li> <li>• CMOS level hysteresis input</li> <li>• With pull-up resistor control</li> <li>• With standby mode control</li> <li>• Pull-up resistor : Approximately 50 kΩ</li> <li>• <math>I_{OH} = -4 \text{ mA}</math>, <math>I_{OL} = 4 \text{ mA}</math></li> </ul>
F		<ul style="list-style-type: none"> <li>• CMOS level output</li> <li>• CMOS level hysteresis input</li> <li>• With input control</li> <li>• Analog input</li> <li>• With pull-up resistor control</li> <li>• With standby mode control</li> <li>• Pull-up resistor : Approximately 50 kΩ</li> <li>• <math>I_{OH} = -4 \text{ mA}</math>, <math>I_{OL} = 4 \text{ mA}</math></li> <li>• When this pin is used as an I<sup>2</sup>C pin, the digital output P-ch transistor is always off</li> </ul>

Type	Circuit	Remarks
G		<ul style="list-style-type: none"> <li>• CMOS level output</li> <li>• CMOS level hysteresis input</li> <li>• With pull-up resistor control</li> <li>• With standby mode control</li> <li>• Pull-up resistor : Approximately 50 kΩ</li> <li>• <math>I_{OH} = -12 \text{ mA}</math>, <math>I_{OL} = 12 \text{ mA}</math></li> <li>• When this pin is used as an I<sup>2</sup>C pin, the digital output P-ch transistor is always off</li> </ul>
H		<ul style="list-style-type: none"> <li>• CMOS level output</li> <li>• CMOS level hysteresis input</li> <li>• With standby mode control</li> <li>• <math>I_{OH} = -20.5 \text{ mA}</math>, <math>I_{OL} = 18.5 \text{ mA}</math></li> </ul>



Type	Circuit	Remarks
I		<ul style="list-style-type: none"> <li>• CMOS level output</li> <li>• CMOS level hysteresis input</li> <li>• With pull-up resistor control</li> <li>• 5 V tolerant</li> <li>• With standby mode control</li> <li>• Pull-up resistor : Approximately 50 kΩ</li> <li>• <math>I_{OH} = -4 \text{ mA}</math>, <math>I_{OL} = 4 \text{ mA}</math></li> <li>• Available to control of PZR registers.</li> <li>• When this pin is used as an I<sup>2</sup>C pin, the digital output P-ch transistor is always off</li> </ul>
J		<p>CMOS level hysteresis input</p>
L		<ul style="list-style-type: none"> <li>• CMOS level output</li> <li>• CMOS level hysteresis input</li> <li>• With pull-up resistor control</li> <li>• With standby mode control</li> <li>• Pull-up resistor : Approximately 50 kΩ</li> <li>• <math>I_{OH} = -8 \text{ mA}</math>, <math>I_{OL} = 8 \text{ mA}</math></li> <li>• When this pin is used as an I<sup>2</sup>C pin, the digital output P-ch transistor is always off</li> </ul>

Type	Circuit	Remarks
M		<ul style="list-style-type: none"> <li>• CMOS level output</li> <li>• CMOS level hysteresis input</li> <li>• With input control</li> <li>• Analog input</li> <li>• With pull-up resistor control</li> <li>• With standby mode control</li> <li>• Pull-up resistor : Approximately 50 k<math>\Omega</math></li> <li>• <math>I_{OH} = -8 \text{ mA}</math>, <math>I_{OL} = 8 \text{ mA}</math></li> <li>• When this pin is used as an I<sup>2</sup>C pin, the digital output P-ch transistor is always off</li> </ul>
N		<ul style="list-style-type: none"> <li>• CMOS level output</li> <li>• CMOS level hysteresis input</li> <li>• With pull-up resistor control</li> <li>• With standby mode control</li> <li>• Pull-up resistor : Approximately 50 k<math>\Omega</math></li> <li>• <math>I_{OH} = -4 \text{ mA}</math>, <math>I_{OL} = 4 \text{ mA}</math> (GPIO)</li> <li>• <math>I_{OL} = 20 \text{ mA}</math> (Fast Mode Plus)</li> <li>• When this pin is used as an I<sup>2</sup>C pin, the digital output P-ch transistor is always off</li> </ul>

Type	Circuit	Remarks
O		<ul style="list-style-type: none"> <li>• CMOS level output</li> <li>• CMOS level hysteresis input</li> <li>• 5 V tolerant</li> <li>• With pull-up resistor control</li> <li>• With standby mode control</li> <li>• Pull-up resistor : Approximately 50 kΩ</li> <li>• <math>I_{OH} = -4 \text{ mA}</math>, <math>I_{OL} = 4 \text{ mA}</math></li> <li>• For I/O setting, refer to VBAT Domain in the Peripheral Manual</li> </ul>
P		<ul style="list-style-type: none"> <li>• CMOS level output</li> <li>• CMOS level hysteresis input</li> <li>• With pull-up resistor control</li> <li>• With standby mode control</li> <li>• Pull-up resistor : Approximately 50 kΩ</li> <li>• <math>I_{OH} = -4 \text{ mA}</math>, <math>I_{OL} = 4 \text{ mA}</math></li> <li>• For I/O setting, refer to VBAT Domain in the Peripheral Manual</li> </ul>

Type	Circuit	Remarks
Q	<p>The diagram for Type Q shows a multiplexer (X1A) with multiple outputs. One output is connected to a pull-up resistor and a P-channel MOSFET (P-ch) labeled 'Pull-up resistor control'. Another output is connected to a P-channel MOSFET (P-ch) labeled 'Digital output'. A third output is connected to an N-channel MOSFET (N-ch) labeled 'Digital output'. A fourth output is connected to a resistor (R) and an AND gate labeled 'Digital input'. A fifth output is connected to an AND gate labeled 'Standby mode control'. A sixth output is connected to an AND gate labeled 'OSC'. A seventh output is connected to a resistor (RX) and an AND gate labeled 'Standby mode control'. An eighth output is connected to an AND gate labeled 'Clock input'.</p>	<p>It is possible to select the sub oscillation / GPIO function</p> <p>When the sub oscillation is selected.</p> <ul style="list-style-type: none"> <li>• Oscillation feedback resistor : Approximately 10 MΩ</li> <li>• With Standby mode control</li> </ul> <p>When the GPIO is selected.</p> <ul style="list-style-type: none"> <li>• CMOS level output.</li> <li>• CMOS level hysteresis input</li> <li>• With pull-up resistor control</li> <li>• With standby mode control</li> <li>• Pull-up resistor : Approximately 50 kΩ</li> <li>• <math>I_{OH} = -4 \text{ mA}</math>, <math>I_{OL} = 4 \text{ mA}</math></li> <li>• For I/O setting, refer to VBAT Domain in the Peripheral Manual</li> </ul>
R	<p>The diagram for Type R shows a multiplexer (X1A) with multiple outputs. One output is connected to a pull-up resistor and a P-channel MOSFET (P-ch) labeled 'Digital output'. Another output is connected to an N-channel MOSFET (N-ch) labeled 'Digital output'. A third output is connected to a resistor (R) and an AND gate labeled 'Pull-up resistor control'. A fourth output is connected to a resistor (R) and an AND gate labeled 'Digital input'. A fifth output is connected to an AND gate labeled 'Standby mode control'. A sixth output is connected to an AND gate labeled 'Analog output'.</p>	<ul style="list-style-type: none"> <li>• CMOS level output</li> <li>• CMOS level hysteresis input</li> <li>• With input control</li> <li>• Analog output</li> <li>• With pull-up resistor control</li> <li>• With standby mode control</li> <li>• Pull-up resistor : Approximately 50 kΩ</li> <li>• <math>I_{OH} = -12 \text{ mA}</math>, <math>I_{OL} = 12 \text{ mA}</math> (4.5 V to 5.5 V)</li> <li>• <math>I_{OH} = -8 \text{ mA}</math>, <math>I_{OL} = 8 \text{ mA}</math> (2.7 V to 4.5 V)</li> </ul>

## 6. Handling Precautions

Any semiconductor devices have inherently a certain rate of failure. The possibility of failure is greatly affected by the conditions in which they are used (circuit conditions, environmental conditions, etc.). This page describes precautions that must be observed to minimize the chance of failure and to obtain higher reliability from your Cypress semiconductor devices.

### 6.1 Precautions for Product Design

This section describes precautions when designing electronic equipment using semiconductor devices.

#### Absolute Maximum Ratings

Semiconductor devices can be permanently damaged by application of stress (voltage, current, temperature, etc.) in excess of certain established limits, called absolute maximum ratings. Do not exceed these ratings.

#### Recommended Operating Conditions

Recommended operating conditions are normal operating ranges for the semiconductor device. All the device's electrical characteristics are warranted when operated within these ranges.

Always use semiconductor devices within the recommended operating conditions. Operation outside these ranges may adversely affect reliability and could result in device failure.

No warranty is made with respect to uses, operating conditions, or combinations not represented on the data sheet. Users considering application outside the listed conditions are advised to contact their sales representative beforehand.

#### Processing and Protection of Pins

These precautions must be followed when handling the pins which connect semiconductor devices to power supply and input/output functions.

##### 1. Preventing Over-Voltage and Over-Current Conditions

Exposure to voltage or current levels in excess of maximum ratings at any pin is likely to cause deterioration within the device, and in extreme cases leads to permanent damage of the device. Try to prevent such overvoltage or over-current conditions at the design stage.

##### 2. Protection of Output Pins

Shorting of output pins to supply pins or other output pins, or connection to large capacitance can cause large current flows. Such conditions if present for extended periods of time can damage the device. Therefore, avoid this type of connection.

##### 3. Handling of Unused Input Pins

Unconnected input pins with very high impedance levels can adversely affect stability of operation. Such pins should be connected through an appropriate resistance to a power supply pin or ground pin.

#### Latch-Up

Semiconductor devices are constructed by the formation of P-type and N-type areas on a substrate. When subjected to abnormally high voltages, internal parasitic PNPN junctions (called thyristor structures) may be formed, causing large current levels in excess of several hundred mA to flow continuously at the power supply pin. This condition is called latch-up.

**CAUTION:** The occurrence of latch-up not only causes loss of reliability in the semiconductor device, but can cause injury or damage from high heat, smoke or flame. To prevent this from happening, do the following:

1. Be sure that voltages applied to pins do not exceed the absolute maximum ratings. This should include attention to abnormal noise, surge levels, etc.
2. Be sure that abnormal current flows do not occur during the power-on sequence.

#### Observance of Safety Regulations and Standards

Most countries in the world have established standards and regulations regarding safety, protection from electromagnetic interference, etc. Customers are requested to observe applicable regulations and standards in the design of products.

#### Fail-Safe Design

Any semiconductor devices have inherently a certain rate of failure. You must protect against injury, damage or loss from such failures by incorporating safety design measures into your facility and equipment such as redundancy, fire protection, and prevention of over-current levels and other abnormal operating conditions.

### **Precautions Related to Usage of Devices**

Cypress semiconductor devices are intended for use in standard applications (computers, office automation and other office equipment, industrial, communications, and measurement equipment, personal or household devices, etc.).

**CAUTION:** Customers considering the use of our products in special applications where failure or abnormal operation may directly affect human lives or cause physical injury or property damage, or where extremely high levels of reliability are demanded (such as aerospace systems, atomic energy controls, sea floor repeaters, vehicle operating controls, medical devices for life support, etc.) are requested to consult with sales representatives before such use. The company will not be responsible for damages arising from such use without prior approval.

### **6.2 Precautions for Package Mounting**

Package mounting may be either lead insertion type or surface mount type. In either case, for heat resistance during soldering, you should only mount under Cypress's recommended conditions. For detailed information about mount conditions, contact your sales representative.

#### **Lead Insertion Type**

Mounting of lead insertion type packages onto printed circuit boards may be done by two methods: direct soldering on the board, or mounting by using a socket.

Direct mounting onto boards normally involves processes for inserting leads into through-holes on the board and using the flow soldering (wave soldering) method of applying liquid solder. In this case, the soldering process usually causes leads to be subjected to thermal stress in excess of the absolute ratings for storage temperature. Mounting processes should conform to Cypress recommended mounting conditions.

If socket mounting is used, differences in surface treatment of the socket contacts and IC lead surfaces can lead to contact deterioration after long periods. For this reason it is recommended that the surface treatment of socket contacts and IC leads be verified before mounting.

#### **Surface Mount Type**

Surface mount packaging has longer and thinner leads than lead-insertion packaging, and therefore leads are more easily deformed or bent. The use of packages with higher pin counts and narrower pin pitch results in increased susceptibility to open connections caused by deformed pins, or shorting due to solder bridges.

You must use appropriate mounting techniques. Cypress recommends the solder reflow method, and have established a ranking of mounting conditions for each product. Users are advised to mount packages in accordance with Cypress ranking of recommended conditions.

#### **Lead-Free Packaging**

**CAUTION:** When ball grid array (BGA) packages with Sn-Ag-Cu balls are mounted using Sn-Pb eutectic soldering, junction strength may be reduced under some conditions of use.

#### **Storage of Semiconductor Devices**

Because plastic chip packages are formed from plastic resins, exposure to natural environmental conditions will cause absorption of moisture. During mounting, the application of heat to a package that has absorbed moisture can cause surfaces to peel, reducing moisture resistance and causing packages to crack. To prevent, do the following:

1. Avoid exposure to rapid temperature changes, which cause moisture to condense inside the product. Store products in locations where temperature changes are slight.
2. Use dry boxes for product storage. Products should be stored below 70% relative humidity, and at temperatures between 5°C and 30°C.  
When you open Dry Package that recommends humidity 40% to 70% relative humidity.
3. When necessary, Cypress packages semiconductor devices in highly moisture-resistant aluminum laminate bags, with a silica gel desiccant. Devices should be sealed in their aluminum laminate bags for storage.
4. Avoid storing packages where they are exposed to corrosive gases or high levels of dust.

#### **Baking**

Packages that have absorbed moisture may be de-moisturized by baking (heat drying). Follow the Cypress recommended conditions for baking.

Condition: 125°C/24 h

### Static Electricity

Because semiconductor devices are particularly susceptible to damage by static electricity, you must take the following precautions:

1. Maintain relative humidity in the working environment between 40% and 70%. Use of an apparatus for ion generation may be needed to remove electricity.
2. Electrically ground all conveyors, solder vessels, soldering irons and peripheral equipment.
3. Eliminate static body electricity by the use of rings or bracelets connected to ground through high resistance (on the level of 1 M $\Omega$ ).  
Wearing of conductive clothing and shoes, use of conductive floor mats and other measures to minimize shock loads is recommended.
4. Ground all fixtures and instruments, or protect with anti-static measures.
5. Avoid the use of Styrofoam or other highly static-prone materials for storage of completed board assemblies.

### 6.3 Precautions for Use Environment

Reliability of semiconductor devices depends on ambient temperature and other conditions as described above.

For reliable performance, do the following:

#### 1. Humidity

Prolonged use in high humidity can lead to leakage in devices as well as printed circuit boards. If high humidity levels are anticipated, consider anti-humidity processing.

#### 2. Discharge of Static Electricity

When high-voltage charges exist close to semiconductor devices, discharges can cause abnormal operation. In such cases, use anti-static measures or processing to prevent discharges.

#### 3. Corrosive Gases, Dust, or Oil

Exposure to corrosive gases or contact with dust or oil may lead to chemical reactions that will adversely affect the device. If you use devices in such conditions, consider ways to prevent such exposure or to protect the devices.

#### 4. Radiation, Including Cosmic Radiation

Most devices are not designed for environments involving exposure to radiation or cosmic radiation. Users should provide shielding as appropriate.

#### 5. Smoke, Flame

**CAUTION:** Plastic molded devices are flammable, and therefore should not be used near combustible substances. If devices begin to smoke or burn, there is danger of the release of toxic gases.

Customers considering the use of Cypress products in other special environmental conditions should consult with sales representatives.

## 7. Handling Devices

### Power Supply Pins

In products with multiple VCC and VSS pins, respective pins at the same potential are interconnected within the device in order to prevent malfunctions such as latch-up. However, all of these pins should be connected externally to the power supply or ground lines in order to reduce electromagnetic emission levels, to prevent abnormal operation of strobe signals caused by the rise in the ground level, and to conform to the total output current rating.

Moreover, connect the current supply source with each POWER pins and GND pins of this device at low impedance. It is also advisable that a ceramic capacitor of approximately 0.1  $\mu\text{F}$  be connected as a bypass capacitor between VCC and VSS near this device.

### Power Supply Pins

A malfunction may occur when the power supply voltage fluctuates rapidly even though the fluctuation is within the guaranteed operating range of the VCC power supply voltage. As a rule of voltage stabilization, suppress voltage fluctuation so that the fluctuation in VCC ripple (peak-to-peak value) at the commercial frequency (50 Hz/60 Hz) does not exceed 10% of the standard VCC value, and the transient fluctuation rate does not exceed 0.1 V/ $\mu\text{s}$  at a momentary fluctuation such as switching the power supply.

### Crystal Oscillator Circuit

Noise near the X0/X1 and X0A/X1A pins may cause the device to malfunction. Design the printed circuit board so that X0/X1, X0A/X1A pins, the crystal oscillator (or ceramic oscillator), and the bypass capacitor to ground are located as close to the device as possible.

It is strongly recommended that the PC board artwork be designed such that the X0/X1 and X0A/X1A pins are surrounded by ground plane as this is expected to produce stable operation.

Evaluate oscillation of your using crystal oscillator by your mount board.

### Sub Crystal Oscillator

This series sub oscillator circuit is low gain to keep the low current consumption.

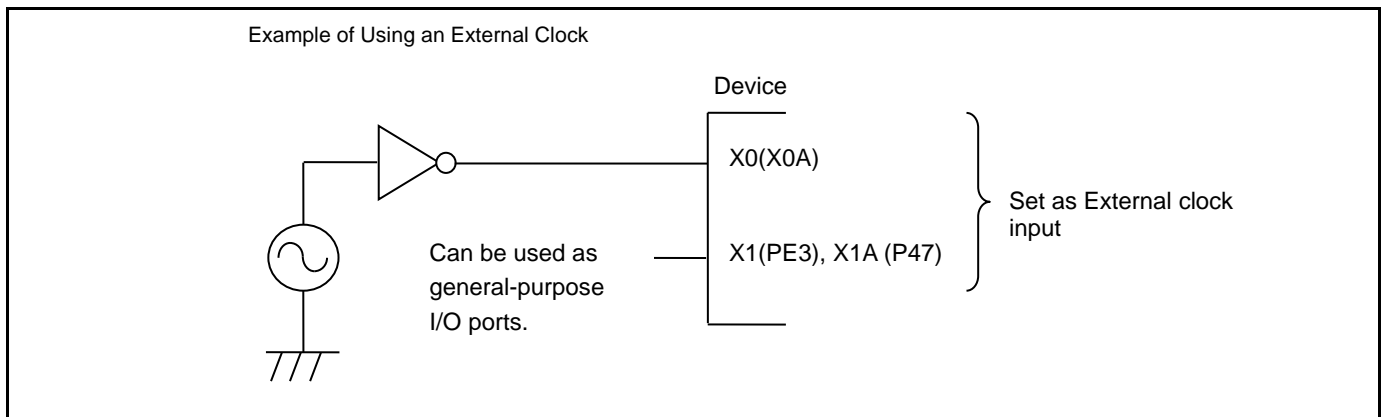
The crystal oscillator to fill the following conditions is recommended for sub crystal oscillator to stabilize the oscillation.

- Surface mount type
  - Size : More than 3.2 mm  $\times$  1.5 mm
  - Load capacitance : Approximately 6 pF to 7 pF
- Lead type
  - Load capacitance : Approximately 6 pF to 7 pF

### Using an External Clock

When using an external clock as an input of the main clock, set X0/X1 to the external clock input, and input the clock to X0. X1 (PE3) can be used as a general-purpose I/O port.

Similarly, when using an external clock as an input of the sub clock, set X0A/X1A to the external clock input, and input the clock to X0A. X1A (P47) can be used as a general-purpose I/O port.



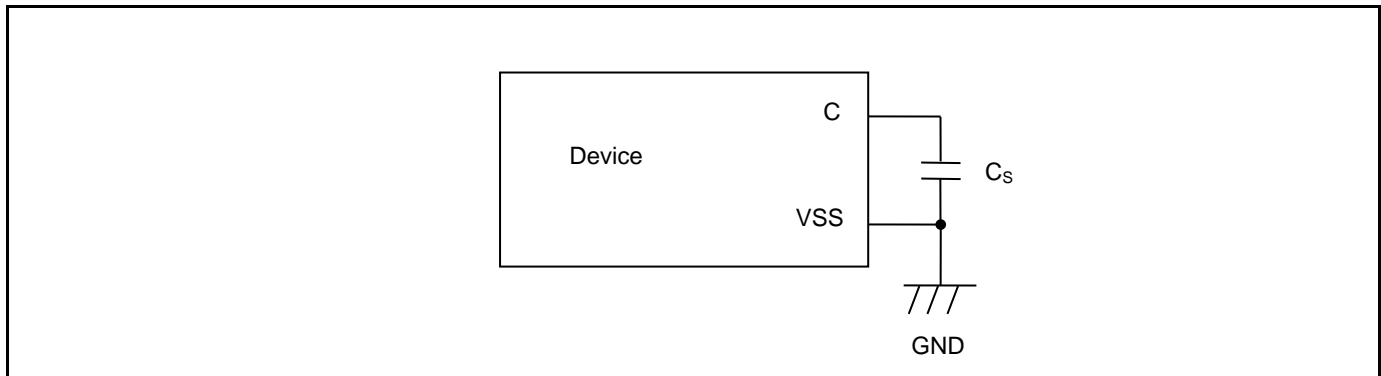


### Handling when Using Multi-Function Serial Pin as I<sup>2</sup>C Pin

If it is using the multi-function serial pin as I<sup>2</sup>C pins, P-ch transistor of digital output is always disabled. However, I<sup>2</sup>C pins need to keep the electrical characteristic like other pins and not to connect to the external I<sup>2</sup>C bus system with power OFF.

### C Pin

This series contains the regulator. Be sure to connect a smoothing capacitor (C<sub>s</sub>) for the regulator between the C pin and the GND pin. Please use a ceramic capacitor or a capacitor of equivalent frequency characteristics as a smoothing capacitor. However, some laminated ceramic capacitors have the characteristics of capacitance variation due to thermal fluctuation (F characteristics and Y5V characteristics). Please select the capacitor that meets the specifications in the operating conditions to use by evaluating the temperature characteristics of a capacitor. A smoothing capacitor of about 4.7 μF would be recommended for this series.



### Mode Pins (MD0)

Connect the MD pin (MD0) directly to VCC or VSS pins. Design the printed circuit board such that the pull-up/down resistance stays low, as well as the distance between the mode pins and VCC pins or VSS pins is as short as possible and the connection impedance is low, when the pins are pulled-up/down such as for switching the pin level and rewriting the Flash memory data. It is because of preventing the device erroneously switching to test mode due to noise.

### Notes on Power-on

Turn power on/off in the following order or at the same time. The device operates normally after all power on.

In the case of 64pin package, VBAT only Power-on is possible when turns all power on and Hibernation control is setting and then except for VBAT turns power off. About Hibernation control, see Chapter 7-2: VBAT Domain (A) in FM4 Family Peripheral Manual (002-04856).

If not using the A/D converter and D/A converter, connect AVCC = VCC and AVSS = VSS.

Turning on: VBAT → VCC  
VCC → AVCC → AVRH

Turning off: AVRH → AVCC → VCC  
VCC → VBAT

### Serial Communication

There is a possibility to receive wrong data due to the noise or other causes on the serial communication.

Therefore, design a printed circuit board so as to avoid noise.

Consider the case of receiving wrong data due to noise, perform error detection such as by applying a checksum of data at the end. If an error is detected, retransmit the data.

### Differences in Features among the Products with Different Memory Sizes and between Flash Products and MASK Products

The electric characteristics including power consumption, ESD, latch-up, noise characteristics, and oscillation characteristics among the products with different memory sizes and between Flash products and MASK products are different because chip layout and memory structures are different.

If you are switching to use a different product of the same series, please make sure to evaluate the electric characteristics.

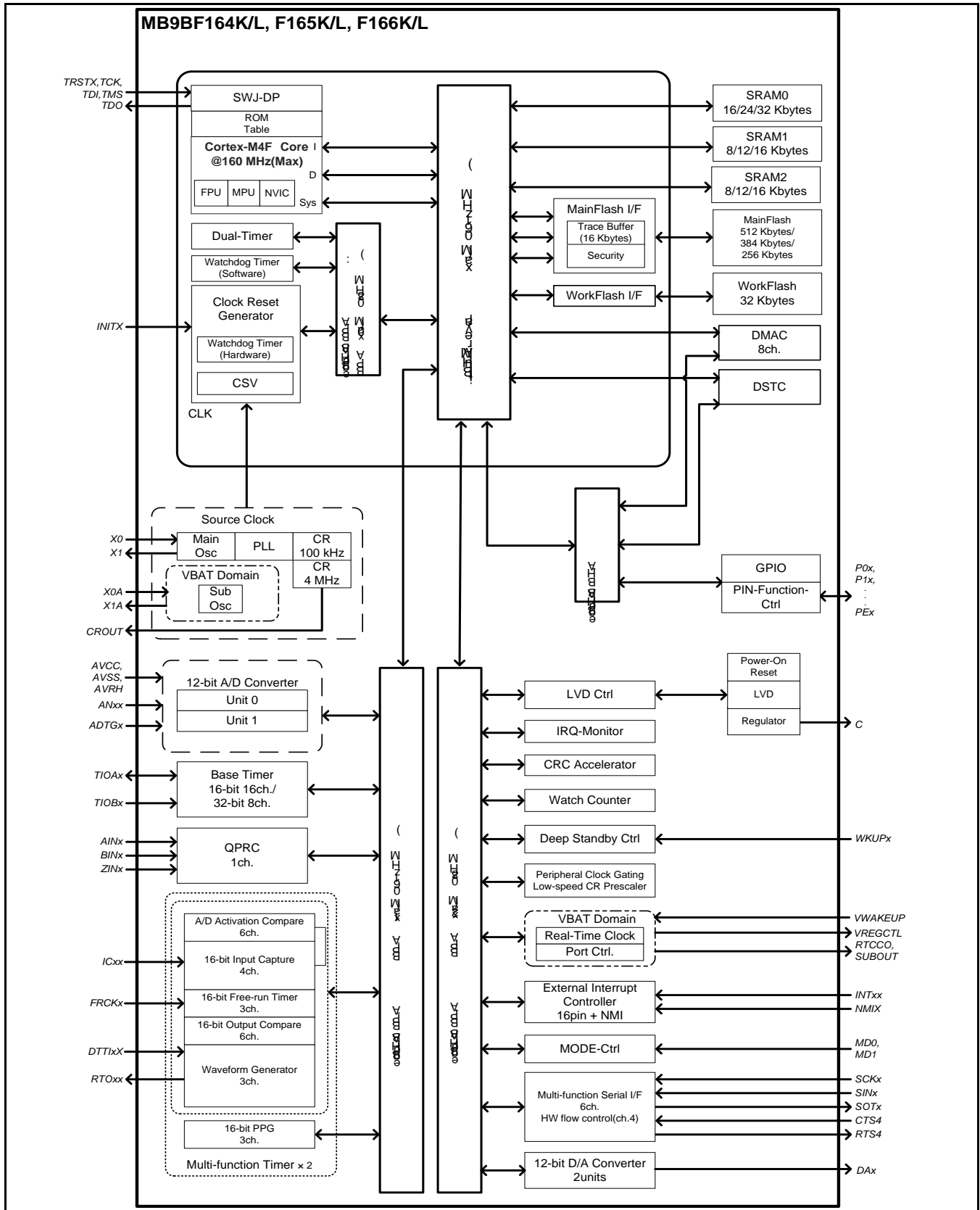
### Pull-Up Function of 5 V Tolerant I/O

Please do not input the signal more than VCC voltage at the time of pull-up function use of 5V tolerant I/O.

**Handling when Using Debug Pins**

When debug pins (TDO/TMS/TDI/TCK/TRSTX or SWO/SWDIO/SWCLK) are set to GPIO or other peripheral functions, only set them as output, do not set them as input.

8. Block Diagram

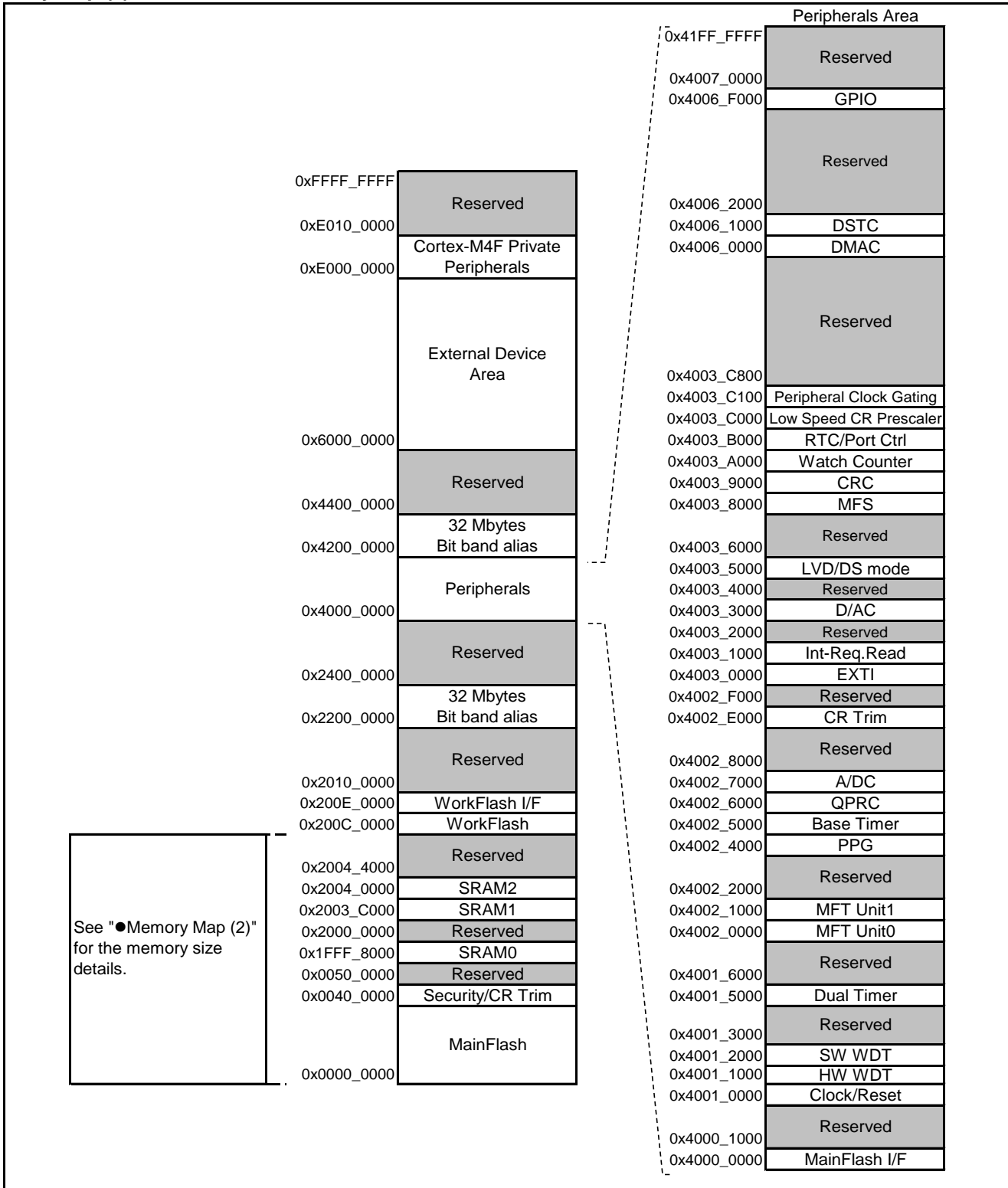


### 9. Memory Size

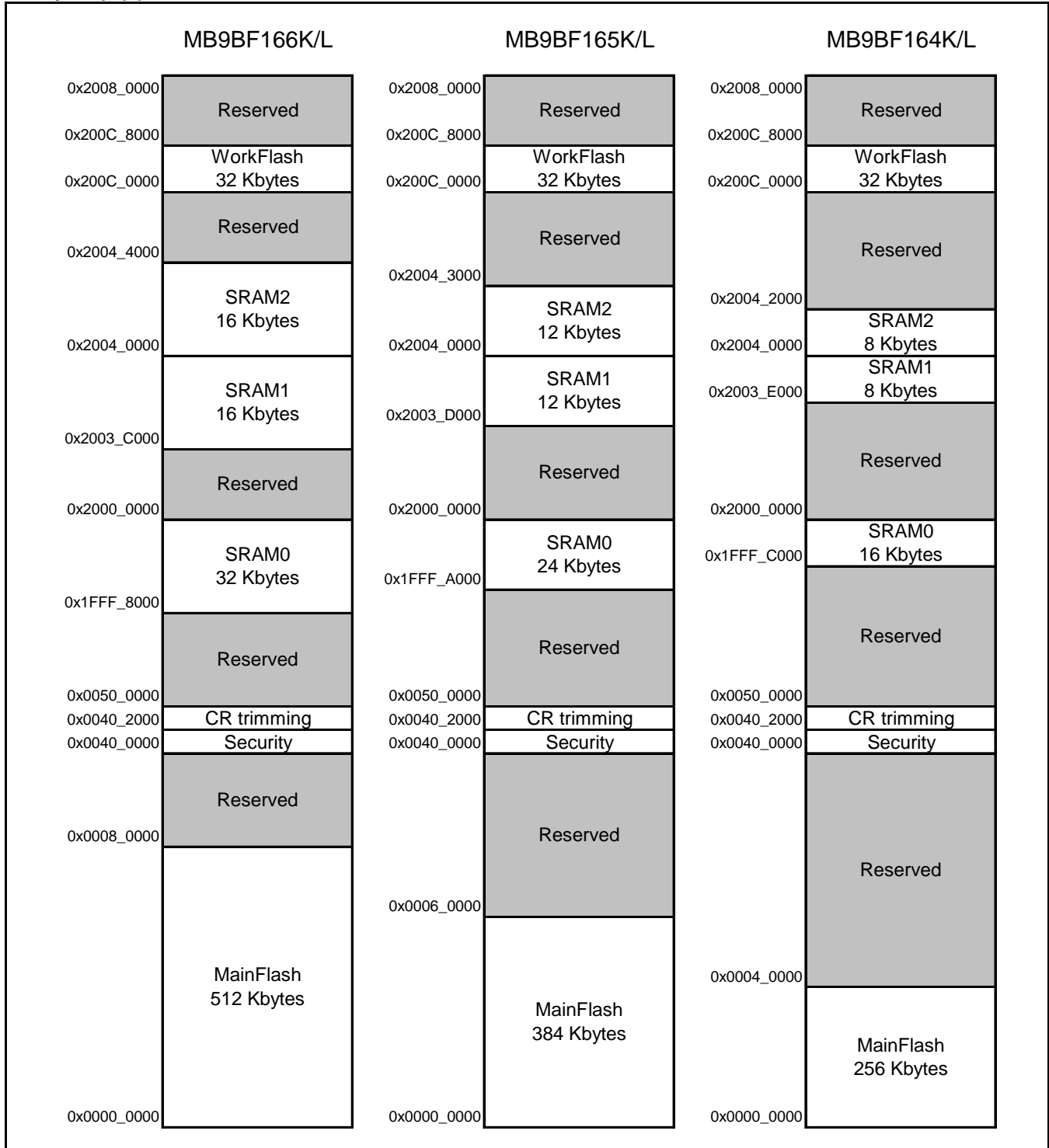
See Memory size in 1. Product Lineup to confirm the memory size.

### 10. Memory Map

#### Memory Map (1)



## Memory Map (2)



**Peripheral Address Map**

Start Address	End Address	Bus	Peripherals
0x4000_0000	0x4000_0FFF	AHB	MainFlash I/F register
0x4000_1000	0x4000_FFFF		Reserved
0x4001_0000	0x4001_0FFF	APB0	Clock/Reset Control
0x4001_1000	0x4001_1FFF		Hardware Watchdog timer
0x4001_2000	0x4001_2FFF		Software Watchdog timer
0x4001_3000	0x4001_4FFF		Reserved
0x4001_5000	0x4001_5FFF		Dual-Timer
0x4001_6000	0x4001_FFFF		Reserved
0x4002_0000	0x4002_0FFF		APB1
0x4002_1000	0x4002_1FFF	Multi-function timer unit1	
0x4002_2000	0x4003_FFFF	Reserved	
0x4002_4000	0x4002_4FFF	PPG	
0x4002_5000	0x4002_5FFF	Base Timer	
0x4002_6000	0x4002_6FFF	Quadrature Position/Revolution Counter	
0x4002_7000	0x4002_7FFF	A/D Converter	
0x4002_8000	0x4002_DFFF	Reserved	
0x4002_E000	0x4002_EFFF	Internal CR trimming	
0x4002_F000	0x4002_FFFF	Reserved	
0x4003_0000	0x4003_0FFF	APB2	External Interrupt Controller
0x4003_1000	0x4003_1FFF		Interrupt Request Batch-Read Function
0x4003_2000	0x4003_4FFF		Reserved
0x4003_3000	0x4003_3FFF		D/A Converter
0x4003_4000	0x4003_4FFF		Reserved
0x4003_5000	0x4003_57FF		Low Voltage Detector
0x4003_5800	0x4003_5FFF		Deep standby mode Controller
0x4003_6000	0x4003_7FFF		Reserved
0x4003_8000	0x4003_8FFF		Multi-function serial Interface
0x4003_9000	0x4003_9FFF		CRC
0x4003_A000	0x4003_AFFF		Watch Counter
0x4003_B000	0x4003_BFFF		RTC/Port Ctrl
0x4003_C000	0x4003_C0FF		Low-speed CR Prescaler
0x4003_C100	0x4003_C7FF		Peripheral Clock Gating
0x4003_C800	0x4003_FFFF		Reserved
0x4004_0000	0x4005_FFFF	AHB	Reserved
0x4006_0000	0x4006_0FFF		DMAC register
0x4006_1000	0x4006_1FFF		DSTC register
0x4006_2000	0x4006_EFFF		Reserved
0x4006_F000	0x4006_FFFF		GPIO
0x4006_7000	0x41FF_FFFF		Reserved
0x200E_0000	0x200E_FFFF		WorkFlash I/F register

## 11. Pin Status in Each CPU State

The terms used for pin status have the following meanings.

■ **INITX=0**

This is the period when the INITX pin is the L level.

■ **INITX=1**

This is the period when the INITX pin is the H level.

■ **SPL=0**

This is the status that the standby pin level setting bit (SPL) in the standby mode control register (STB\_CTL) is set to 0.

■ **SPL=1**

This is the status that the standby pin level setting bit (SPL) in the standby mode control register (STB\_CTL) is set to 1.

■ **Input enabled**

Indicates that the input function can be used.

■ **Internal input fixed at 0**

This is the status that the input function cannot be used. Internal input is fixed at L.

■ **Hi-Z**

Indicates that the pin drive transistor is disabled and the pin is put in the Hi-Z state.

■ **Setting disabled**

Indicates that the setting is disabled.

■ **Maintain previous state**

Maintains the state that was immediately prior to entering the current mode.

If a built-in peripheral function is operating, the output follows the peripheral function.

If the pin is being used as a port, that output is maintained.

■ **Analog input is enabled**

Indicates that the analog input is enabled.

■ **Trace output**

Indicates that the trace function can be used.

■ **GPIO selected**

In Deep standby mode, pins switch to the general-purpose I/O port.

■ **Setting prohibition**

Prohibition of a setting by specification limitation.

**List of Pin Status**

Pin Status Type	Function Group	Power-on Reset or Low-Voltage Detection State	INITX Input State	Device Internal Reset State	Run Mode or Sleep Mode State	Timer Mode, RTC Mode, or Stop Mode State		Deep Standby RTC Mode or Deep Standby Stop Mode State		Return from Deep Standby Mode State
		Power Supply Unstable	Power Supply Stable		Power Supply Stable	Power Supply Stable		Power Supply Stable		Power Supply Stable
		-	INITX=0	INITX=1	INITX=1	INITX=1		INITX=1		INITX=1
		-	-	-	-	SPL=0	SPL=1	SPL=0	SPL=1	-
A	GPIO selected	Setting disabled	Setting disabled	Setting disabled	Maintain previous state	Maintain previous state	Hi-Z / Internal input fixed at 0	GPIO selected Internal input fixed at 0	Hi-Z / Internal input fixed at 0	GPIO selected
	Main crystal oscillator input pin/ External main clock input selected	Input enabled	Input enabled	Input enabled	Input enabled	Input enabled	Input enabled	Input enabled	Input enabled	Input enabled
B	GPIO selected	Setting disabled	Setting disabled	Setting disabled	Maintain previous state	Maintain previous state	Hi-Z / Internal input fixed at 0	GPIO selected Internal input fixed at 0	Hi-Z / Internal input fixed at 0	GPIO selected
	External main clock input selected	Setting disabled	Setting disabled	Setting disabled	Maintain previous state	Maintain previous state	Hi-Z / Internal input fixed at 0	Maintain previous state	Hi-Z / Internal input fixed at 0	Maintain previous state
	Main crystal oscillator output pin	Hi-Z / Internal input fixed at "0" / or Input enable	Hi-Z / Internal input fixed at 0	Hi-Z / Internal input fixed at 0	Maintain previous state / When oscillation stops*1, Hi-Z / Internal input fixed at 0					
C	INITX input pin	Pull-up / Input enabled	Pull-up / Input enabled	Pull-up / Input enabled	Pull-up / Input enabled	Pull-up / Input enabled	Pull-up / Input enabled	Pull-up / Input enabled	Pull-up / Input enabled	Pull-up / Input enabled
D	Mode input pin	Input enabled	Input enabled	Input enabled	Input enabled	Input enabled	Input enabled	Input enabled	Input enabled	Input enabled



Pin Status Type	Function Group	Power-on Reset or Low-Voltage Detection State	INITX Input State	Device Internal Reset State	Run Mode or SLEEP Mode State	TIMER Mode, RTC Mode, or STOP Mode State		Deep Standby RTC Mode or Deep Standby STOP Mode State		Return from Deep Standby Mode State
		Power Supply Unstable	Power Supply Stable		Power Supply Stable	Power Supply Stable		Power Supply Stable		Power Supply Stable
		-	INITX=0	INITX=1	INITX=1	INITX=1		INITX=1		INITX=1
		-	-	-	-	SPL=0	SPL=1	SPL=0	SPL=1	-
E	Mode input pin	Input enabled	Input enabled	Input enabled	Input enabled	Input enabled	Input enabled	Input enabled	Input enabled	Input enabled
	GPIO selected	Setting disabled	Setting disabled	Setting disabled	Maintain previous state	Maintain previous state	Hi-Z / Input enabled	GPIO selected	Hi-Z / Input enabled	GPIO selected
F	NMIX selected	Setting disabled	Setting disabled	Setting disabled	Maintain previous state	Maintain previous state	Maintain previous state	WKUP input enabled	Hi-Z / WKUP input enabled	GPIO selected
	Resource other than above selected	Hi-Z	Hi-Z / Input enabled	Hi-Z / Input enabled			Hi-Z / Internal input fixed at 0			
	GPIO selected						Maintain previous state			
G	JTAG selected	Hi-Z	Pull-up / Input enabled	Pull-up / Input enabled	Maintain previous state	Maintain previous state	Maintain previous state	Maintain previous state	Maintain previous state	Maintain previous state
	GPIO selected	Setting disabled	Setting disabled	Setting disabled			Hi-Z / Internal input fixed at 0			
J	Analog output selected	Setting disabled	Setting disabled	Setting disabled	Maintain previous state	*2	*3	GPIO selected Internal input fixed at 0	Hi-Z / Internal input fixed at 0	GPIO selected
	Resource other than above selected	Hi-Z	Hi-Z / Input enabled	Hi-Z / Input enabled		Maintain previous state	Hi-Z / Internal input fixed at 0			
	GPIO selected									
K	External interrupt enabled selected	Setting disabled	Setting disabled	Setting disabled	Maintain previous state	Maintain previous state	Maintain previous state	GPIO selected Internal input fixed at 0	Hi-Z / Internal input fixed at 0	GPIO selected
	Resource other than above selected	Hi-Z	Hi-Z / Input enabled	Hi-Z / Input enabled			Hi-Z / Internal input fixed at 0			
	GPIO selected									

Pin Status Type	Function Group	Power-on Reset or Low-Voltage Detection State	INITX Input State	Device Internal Reset State	Run Mode or Sleep Mode State	Timer Mode, RTC Mode, or Stop Mode State		Deep Standby RTC Mode or Deep Standby Stop Mode State		Return from Deep Standby Mode State
		Power Supply Unstable	Power Supply Stable		Power Supply Stable	Power Supply Stable		Power Supply Stable		Power Supply Stable
		-	INITX=0	INITX=1	INITX=1	INITX=1		INITX=1		INITX=1
		-	-	-	-	SPL=0	SPL=1	SPL=0	SPL=1	-
L	Analog input selected	Hi-Z	Hi-Z / Internal input fixed at 0 / Analog input enabled	Hi-Z / Internal input fixed at 0 / Analog input enabled	Hi-Z / Internal input fixed at 0 / Analog input enabled	Hi-Z / Internal input fixed at 0 / Analog input enabled	Hi-Z / Internal input fixed at 0 / Analog input enabled	Hi-Z / Internal input fixed at 0 / Analog input enabled	Hi-Z / Internal input fixed at 0 / Analog input enabled	Hi-Z / Internal input fixed at 0 / Analog input enabled
	Resource other than above selected	Setting disabled	Setting disabled	Setting disabled	Maintain previous state	Maintain previous state	Hi-Z / Internal input fixed at 0	GPIO selected Internal input fixed at 0	Hi-Z / Internal input fixed at 0	GPIO selected
	GPIO selected									
M	Analog input selected	Hi-Z	Hi-Z / Internal input fixed at 0 / Analog input enabled	Hi-Z / Internal input fixed at 0 / Analog input enabled	Hi-Z / Internal input fixed at 0 / Analog input enabled	Hi-Z / Internal input fixed at 0 / Analog input enabled	Hi-Z / Internal input fixed at 0 / Analog input enabled	Hi-Z / Internal input fixed at 0 / Analog input enabled	Hi-Z / Internal input fixed at 0 / Analog input enabled	Hi-Z / Internal input fixed at 0 / Analog input enabled
	External interrupt enabled selected						Maintain previous state	GPIO selected Internal input fixed at 0	Hi-Z / Internal input fixed at 0	GPIO selected
	Resource other than above selected	Setting disabled	Setting disabled	Setting disabled	Maintain previous state	Maintain previous state	Hi-Z / Internal input fixed at 0	GPIO selected Internal input fixed at 0	Hi-Z / Internal input fixed at 0	GPIO selected
	GPIO selected									

Pin Status Type	Function Group	Power-on Reset or Low-Voltage Detection State	INITX Input State	Device Internal Reset State	Run Mode or Sleep Mode State	Timer Mode, RTC Mode, or Stop Mode State		Deep Standby RTC Mode or Deep Standby Stop Mode State		Return from Deep Standby Mode State
		Power Supply Unstable	Power Supply Stable		Power Supply Stable	Power Supply Stable		Power Supply Stable		Power Supply Stable
		-	INITX=0	INITX=1	INITX=1	INITX=1		INITX=1		INITX=1
		-	-	-	-	SPL=0	SPL=1	SPL=0	SPL=1	-
O	Analog input selected	Hi-Z	Hi-Z / Internal input fixed at 0 / Analog input enabled	Hi-Z / Internal input fixed at 0 / Analog input enabled	Hi-Z / Internal input fixed at 0 / Analog input enabled	Hi-Z / Internal input fixed at 0 / Analog input enabled	Hi-Z / Internal input fixed at 0 / Analog input enabled	Hi-Z / Internal input fixed at 0 / Analog input enabled	Hi-Z / Internal input fixed at 0 / Analog input enabled	Hi-Z / Internal input fixed at 0 / Analog input enabled
	WKUP enabled	Setting disabled	Setting disabled	Setting disabled	Maintain previous state	Maintain previous state	Maintain previous state	WKUP input enabled	WKUP input enabled	GPIO selected
	External interrupt enabled selected							GPIO selected Internal input fixed at 0	Hi-Z / Internal input fixed at 0	
	Resource other than above selected	Hi-Z	Hi-Z Input enabled	Hi-Z Input enabled	Maintain previous state	Maintain previous state	Hi-Z / Internal input fixed at 0	GPIO selected Internal input fixed at 0	Hi-Z / Internal input fixed at 0	GPIO selected
	GPIO selected									
P	Analog input selected	Hi-Z	Hi-Z / Internal input fixed at 0 / Analog input enabled	Hi-Z / Internal input fixed at 0 / Analog input enabled	Hi-Z / Internal input fixed at 0 / Analog input enabled	Hi-Z / Internal input fixed at 0 / Analog input enabled	Hi-Z / Internal input fixed at 0 / Analog input enabled	Hi-Z / Internal input fixed at 0 / Analog input enabled	Hi-Z / Internal input fixed at 0 / Analog input enabled	Hi-Z / Internal input fixed at 0 / Analog input enabled
	WKUP enabled	Setting disabled	Setting disabled	Setting disabled	Maintain previous state	Maintain previous state	Maintain previous state	WKUP input enabled	Hi-Z / WKUP input enabled	GPIO selected
	Resource other than above selected							GPIO selected Internal input fixed at 0	Hi-Z / Internal input fixed at 0	
	GPIO selected									

Pin Status Type	Function Group	Power-on Reset or Low-Voltage Detection State	INITX Input State	Device Internal Reset State	Run Mode or Sleep Mode State	Timer Mode, RTC Mode, or Stop Mode State		Deep Standby RTC Mode or Deep Standby Stop Mode State		Return from Deep Standby Mode State
		Power Supply Unstable	Power Supply Stable		Power Supply Stable	Power Supply Stable		Power Supply Stable		Power Supply Stable
		-	INITX=0	INITX=1	INITX=1	INITX=1		INITX=1		INITX=1
		-	-	-	-	SPL=0	SPL=1	SPL=0	SPL=1	-
Q	WKUP enabled	Setting disabled	Setting disabled	Setting disabled	Maintain previous state	Maintain previous state	Maintain previous state	WKUP input enabled	Hi-Z / WKUP input enabled	GPIO selected
	External interrupt enabled selected							GPIO selected Internal input fixed at 0	Hi-Z / Internal input fixed at 0	
	Resource other than above selected	Hi-Z	Hi-Z / Input enabled	Hi-Z / Input enabled						
	GPIO selected									
R	GPIO selected	Hi-Z	Hi-Z / Input enabled	Hi-Z / Input enabled	Maintain previous state	Maintain previous state	Hi-Z / Internal input fixed at 0	GPIO selected Internal input fixed at "0" Hi-Z / Input enabled	Hi-Z / Internal input fixed at "0" Hi-Z / Input enabled	GPIO selected

\*1: Oscillation is stopped at Sub timer mode, sub CR timer mode, RTC mode, Stop mode, Deep Standby RTC mode, and Deep Standby Stop mode.

\*2: Maintain previous state at timer mode. GPIO selected Internal input fixed at 0 at RTC mode, Stop mode.

\*3: Maintain previous state at timer mode. Hi-Z/Internal input fixed at 0 at RTC mode, Stop mode.

**List of VBAT Domain Pin Status**

VBAT Pin Status Type	Function Group	Power-on Reset*1	INITX Input State	Device Internal Reset State	Run Mode or Sleep Mode State	Timer Mode, RTC Mode, or Stop Mode State		Deep Standby RTC Mode or Deep Standby Stop Mode State		Return from Deep Standby Mode State	VBAT RTC Mode State	Return from VBAT RTC Mode State
		Power Supply Unstable	Power Supply Stable		Power Supply Stable	Power Supply Stable		Power Supply Stable		Power Supply Stable	Power Supply Stable	Power Supply Stable
		-	INITX=0	INITX=1	INITX=1	INITX=1		INITX=1		INITX=1	-	-
		-	-	-	-	SPL=0	SPL=1	SPL=0	SPL=1	-	-	-
S	GPIO selected	Setting disabled	Maintain previous state	Maintain previous state	Maintain previous state	Maintain previous state	Maintain previous state	Maintain previous state	Maintain previous state	Maintain previous state	Setting prohibition	-
	Sub crystal oscillator input pin / External sub clock input selected	Input enabled	Input enabled	Input enabled	Input enabled	Input enabled	Input enabled	Input enabled	Input enabled	Input enabled	Maintain previous state	Maintain previous state
T	GPIO selected	Setting disabled	Maintain previous state	Maintain previous state	Maintain previous state	Maintain previous state	Maintain previous state	Maintain previous state	Maintain previous state	Maintain previous state	Setting prohibition	-
	External sub clock input selected	Setting disabled	Maintain previous state	Maintain previous state	Maintain previous state	Maintain previous state	Maintain previous state	Maintain previous state	Maintain previous state	Maintain previous state	Maintain previous state	Maintain previous state
	Sub crystal oscillator output pin	Hi-Z / Internal input fixed at 0 or Input enabled	Maintain previous state	Maintain previous state	Maintain previous state	Maintain previous state/When oscillation stops, Hi-Z *2	Maintain previous state/When oscillation stops, Hi-Z *2	Maintain previous state/When oscillation stops, Hi-Z *2	Maintain previous state/When oscillation stops, Hi-Z *2	Maintain previous state	Maintain previous state	Maintain previous state
U	Resource selected	Hi-Z	Maintain previous state	Maintain previous state	Maintain previous state	Maintain previous state	Maintain previous state	Maintain previous state	Maintain previous state	Maintain previous state	Maintain previous state	Maintain previous state
	GPIO selected											

\*1: When VBAT and VCC power on.

\*2: When The SOSCNTL bit in the WTOSCCNT Register is "0", Sub crystal oscillator output pin is maintain previous state.  
When The SOSCNTL bit in the WTOSCCNT Register is "1", Oscillation is stopped at STOP mode and Deep standby STOP mode.

## 12. Electrical Characteristics

### 12.1 Absolute Maximum Ratings

Parameter	Symbol	Rating		Unit	Remarks
		Min	Max		
Power supply voltage *1, *2	V <sub>CC</sub>	V <sub>SS</sub> - 0.5	V <sub>SS</sub> + 6.5	V	
Power supply voltage (VBAT) *1, *3	V <sub>BAT</sub>	V <sub>SS</sub> - 0.5	V <sub>SS</sub> + 6.5	V	
Analog power supply voltage *1, *4	AV <sub>CC</sub>	V <sub>SS</sub> - 0.5	V <sub>SS</sub> + 6.5	V	
Analog reference voltage *1, *4	AV <sub>RH</sub>	V <sub>SS</sub> - 0.5	V <sub>SS</sub> + 6.5	V	
Input voltage *1	V <sub>I</sub>	V <sub>SS</sub> - 0.5	V <sub>CC</sub> + 0.5 (≤ 6.5V)	V	
		V <sub>SS</sub> - 0.5	V <sub>SS</sub> + 6.5	V	5 V tolerant
Analog pin input voltage *1	V <sub>IA</sub>	V <sub>SS</sub> - 0.5	AV <sub>CC</sub> + 0.5 (≤ 6.5V)	V	
Output voltage *1	V <sub>O</sub>	V <sub>SS</sub> - 0.5	V <sub>CC</sub> + 0.5 (≤ 6.5V)	V	
"L" level maximum output current *5	I <sub>OL</sub>	-	10	mA	4 mA type
			20	mA	8 mA type
			20	mA	12 mA type
			22.4	mA	I <sup>2</sup> C Fm+
"L" level average output current *6	I <sub>OLAV</sub>	-	4	mA	4 mA type
			8	mA	8 mA type
			12	mA	12 mA type
			20	mA	I <sup>2</sup> C Fm+
"L" level total maximum output current	∑I <sub>OL</sub>	-	100	mA	
"L" level total average output current *7	∑I <sub>OLAV</sub>	-	50	mA	
"H" level maximum output current *5	I <sub>OH</sub>	-	- 10	mA	4 mA type
			- 20	mA	8 mA type
			- 20	mA	12 mA type
"H" level average output current *6	I <sub>OHAV</sub>	-	- 4	mA	4 mA type
			- 8	mA	8 mA type
			- 12	mA	12 mA type
"H" level total maximum output current	∑I <sub>OH</sub>	-	- 100	mA	
"H" level total average output current *7	∑I <sub>OHAV</sub>	-	- 50	mA	
Storage temperature	T <sub>STG</sub>	- 55	+ 150	°C	

\*1: These parameters are based on the condition that V<sub>SS</sub> = AV<sub>SS</sub> = 0.0 V.

\*2: V<sub>CC</sub> must not drop below V<sub>SS</sub> - 0.5 V.

\*3: V<sub>BAT</sub> must not drop below V<sub>SS</sub> - 0.5 V.

\*4: Ensure that the voltage does not exceed V<sub>CC</sub> + 0.5 V, for example, when the power is turned on.

\*5: The maximum output current is defined as the value of the peak current flowing through any one of the corresponding pins.

\*6: The average output current is defined as the average current value flowing through any one of the corresponding pins for a 100ms period.

\*7: The total average output current is defined as the average current value flowing through all of corresponding pins for a period of 100 ms.

**WARNING:**

- Semiconductor devices may be permanently damaged by application of stress (including, without limitation, voltage, current or temperature) in excess of absolute maximum ratings. Do not exceed any of these ratings.

**12.2 Recommended Operating Conditions**

Parameter	Symbol	Conditions	Value		Unit	Remarks
			Min	Max		
Power supply voltage	V <sub>CC</sub>	-	2.7 *3	5.5	V	
Power supply voltage (VBAT)	V <sub>BAT</sub>	-	2.7	5.5	V	
Analog power supply voltage	AV <sub>CC</sub>	-	2.7	5.5	V	AV <sub>CC</sub> =V <sub>CC</sub>
Analog reference voltage	AVRH	-	*1	AV <sub>CC</sub>	V	
Smoothing capacitor	C <sub>S</sub>	-	1	10	μF	for built-in regulator *4
Operating temperature	Junction temperature	T <sub>J</sub>	- 40	+ 125	°C	
	Ambient temperature	T <sub>A</sub>	- 40	*2	°C	

\*1: The minimum value of Analog reference voltage depends on the value of compare clock cycle (T<sub>CK</sub>).

See "5. 12-bit A/D Converter" for the details.

\*2: The maximum temperature of the ambient temperature (T<sub>A</sub>) can guarantee a range that does not exceed the junction temperature (T<sub>J</sub>).

The calculation formula of the ambient temperature (T<sub>A</sub>) is shown below.

$$T_A(\text{Max}) = T_J(\text{Max}) - P_d(\text{Max}) \times \theta_{ja}$$

P<sub>d</sub>: Power dissipation (W)

θ<sub>ja</sub>: Package thermal resistance (°C/W)

$$P_d(\text{Max}) = V_{CC} \times I_{CC}(\text{Max}) + \sum (I_{OL} \times V_{OL}) + \sum ((V_{CC} - V_{OH}) \times (-I_{OH}))$$

I<sub>OL</sub>: L level output current

I<sub>OH</sub>: H level output current

V<sub>OL</sub>: L level output voltage

V<sub>OH</sub>: H level output voltage

\*3: In between less than the minimum power supply voltage and low voltage reset/interrupt detection voltage or more, instruction execution and low voltage detection function by built-in High-speed CR (including Main PLL is used) or built-in Low-speed CR is possible to operate only.

\*4: See "C pin" in "Handling Devices" for the connection of the smoothing capacitor.

Package thermal resistance and maximum permissible power for each package are shown below.

The operation is guaranteed maximum permissible power or less for semiconductor devices.

**Table for Package Thermal Resistance and Maximum Permissible Power**

Package	Printed Circuit Board	Thermal resistance θ <sub>ja</sub> (°C/W)	Maximum permissible Power (mW)	
			T <sub>A</sub> =+85°C	T <sub>A</sub> =+105°C
LQA048 (0.5mm pitch)	Single-layered both sides	87	460	230
	4 layers	53	755	377
VNA048 (0.5mm pitch)	Single-layered both sides	30	1333	667
	4 layers	24	1667	833
LQD064 (0.5mm pitch)	Single-layered both sides	70	571	286
	4 layers	45	889	444
LQG064 (0.65mm pitch)	Single-layered both sides	61	656	328
	4 layers	40	1000	500
VNC064 (0.5mm pitch)	Single-layered both sides	24	1667	833
	4 layers	21	1905	952

**WARNING:**

- The recommended operating conditions are required to ensure the normal operation of the semiconductor device. All of the device's electrical characteristics are warranted when the device is operated under these conditions. Any use of semiconductor devices will be under their recommended operating condition. Operation under any conditions other than these conditions may adversely affect reliability of device and could result in device failure.

*No warranty is made with respect to any use, operating conditions or combinations not represented on this data sheet. If you are considering application under any conditions other than listed herein, please contact sales representatives beforehand.*



### Calculation Method of Power Dissipation (Pd)

The power dissipation is shown in the following formula.

$$P_d = V_{CC} \times I_{CC} + \sum (I_{OL} \times V_{OL}) + \sum ((V_{CC} - V_{OH}) \times (-I_{OH}))$$

$I_{OL}$ : "L" level output current

$I_{OH}$ : "H" level output current

$V_{OL}$ : "L" level output voltage

$V_{OH}$ : "H" level output voltage

$I_{CC}$  is a current consumed in device.

It can be analyzed as follows.

$$I_{CC} = I_{CC}(\text{INT}) + \sum I_{CC}(\text{IO})$$

$I_{CC}(\text{INT})$ : Current consumed in internal logic and memory, etc. through regulator

$\sum I_{CC}(\text{IO})$ : Sum of current (I/O switching current) consumed in output pin

For  $I_{CC}(\text{INT})$ , it can be anticipated by "12.3.1 Current Rating" in "12.3 DC Characteristics" (This rating value does not include  $I_{CC}(\text{IO})$  for a value at pin fixed).

For  $I_{CC}(\text{IO})$ , it depends on system used by customers.

The calculation formula is shown below.

$$I_{CC}(\text{IO}) = (C_{\text{INT}} + C_{\text{EXT}}) \times V_{CC} \times f_{\text{SW}}$$

$C_{\text{INT}}$ : Pin internal load capacitance

$C_{\text{EXT}}$ : External load capacitance of output pin

$f_{\text{SW}}$ : Pin switching frequency

Parameter	Symbol	Conditions	Capacitance Value
Pin internal load capacitance	$C_{\text{INT}}$	4 mA type	1.93 pF
		8 mA type	3.45 pF
		12 mA type	3.42 pF

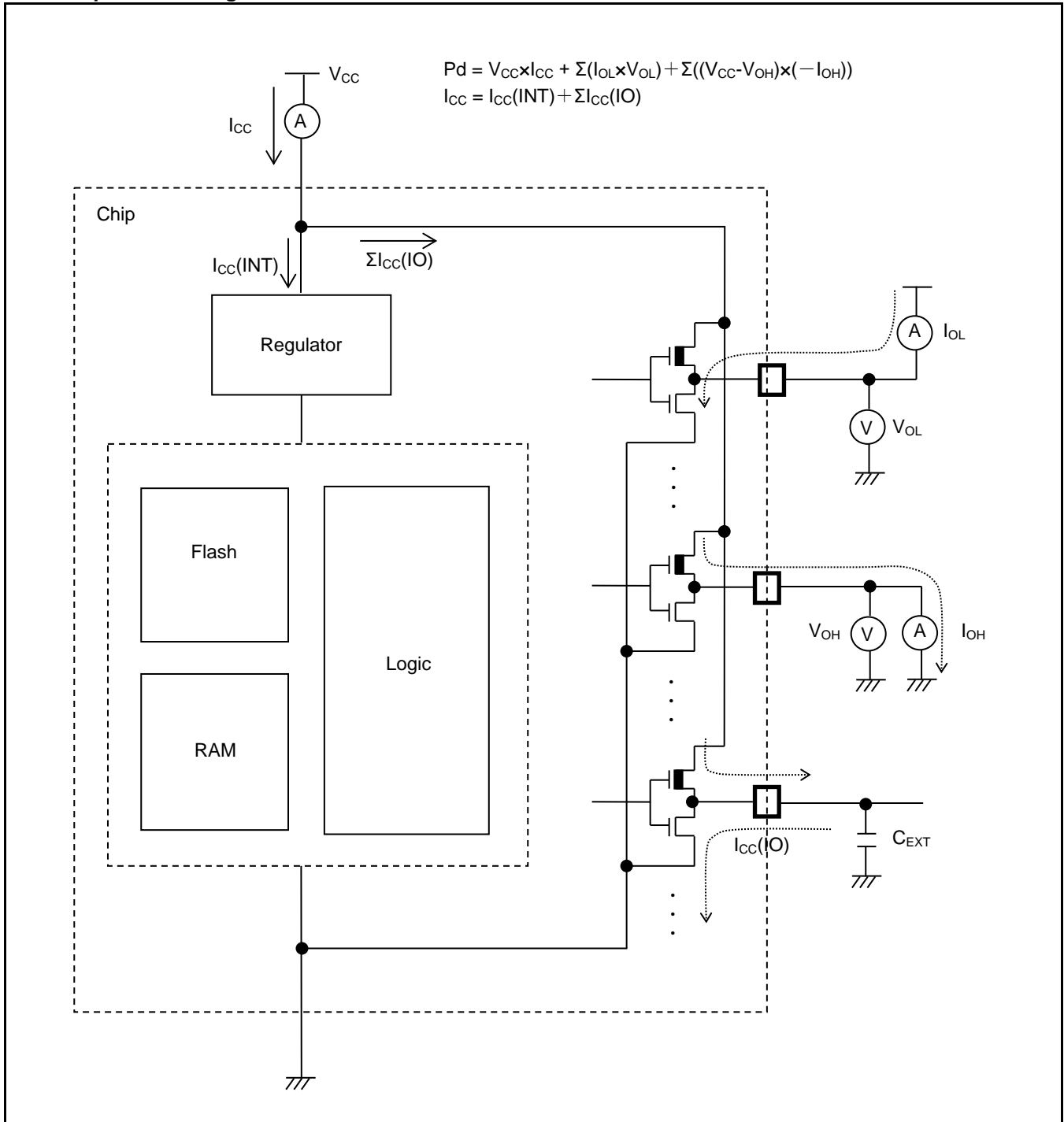
Calculate  $I_{CC}(\text{Max})$  as follows when the power dissipation can be evaluated.

1. Measure current value  $I_{CC}(\text{Typ})$  at normal temperature (+25°C).
2. Add maximum leak current value  $I_{CC}(\text{leak\_max})$  at operating on a value in (1).

$$I_{CC}(\text{Max}) = I_{CC}(\text{Typ}) + I_{CC}(\text{leak\_max})$$

Parameter	Symbol	Conditions	Current Value
Maximum leak current at operating	$I_{CC}(\text{leak\_max})$	$T_j = +125^\circ\text{C}$	28 mA
		$T_j = +105^\circ\text{C}$	17 mA
		$T_j = +85^\circ\text{C}$	13 mA

Current Explanation Diagram



**12.3 DC Characteristics**
**12.3.1 Current Rating**

Parameter	Symbol	Pin Name	Conditions	Frequency* <sup>4</sup>	Value		Unit	Remarks	
					Typ* <sup>1</sup>	Max* <sup>2</sup>			
Power supply current	I <sub>CC</sub>	VCC	Normal operation (PLL)	*5, *6	160 MHz	44	72	mA	*3 When all peripheral clocks are ON
					144 MHz	40	67		
					120 MHz	34	60		
					100 MHz	29	55		
					80 MHz	23	48		
					60 MHz	18	42		
					40 MHz	13	37		
					20 MHz	7.7	31		
					8 MHz	4.6	27		
					4 MHz	3.6	26	mA	*3 When all peripheral clocks are OFF
					160 MHz	30	58		
					144 MHz	27	54		
					120 MHz	23	49		
					100 MHz	20	46		
					80 MHz	16	41		
					60 MHz	13	38		
					40 MHz	9	33		
					20 MHz	5.7	30		
8 MHz	3.7	27							
4 MHz	3	26							

Parameter	Symbol	Pin Name	Conditions	Frequency* <sup>7</sup>	Value		Unit	Remarks	
					Typ* <sup>1</sup>	Max* <sup>2</sup>			
Power supply current	I <sub>CC</sub>	VCC	Normal operation (PLL)	*8	160 MHz	64	101	mA	*3 When all peripheral clocks are ON
					144 MHz	60	96		
					120 MHz	52	88		
					100 MHz	46	81		
					80 MHz	39	73		
					60 MHz	32	65		
					40 MHz	25	58		
					20 MHz	15	47		
					8 MHz	7.8	39		
					4 MHz	5.2	36	mA	*3 When all peripheral clocks are OFF
					160 MHz	47	80		
					144 MHz	43	75		
					120 MHz	39	71		
					100 MHz	35	66		
					80 MHz	30	61		
					60 MHz	25	55		
					40 MHz	20	50		
					20 MHz	13	42		
8 MHz	6.7	36							
4MHz	4.6	34							

\*1: T<sub>A</sub>=+25 °C, V<sub>CC</sub>=3.3 V

\*2: T<sub>j</sub>=+125 °C, V<sub>CC</sub>=5.5 V

\*3: When all ports are input and are fixed at "0".

\*4: Frequency is a value of HCLK. PCLK0=PCLK1=PCLK2=HCLK/2

\*5: When operating flash accelerator mode and trace buffer function (FRWTR.RWT = 10, FBFCR.BE = 1)

\*6: Data access is nothing to MainFlash memory

\*7: Frequency is a value of HCLK. PCLK0=PCLK2=HCLK/2, PCLK1=HCLK

\*8: When stopping flash accelerator mode and trace buffer function (FRWTR.RWT = 10, FBFCR.BE = 0)

Parameter	Symbol	Pin Name	Conditions	Frequency* <sup>4</sup> (MHz)	Value		Unit	Remarks	
					Typ* <sup>1</sup>	Max* <sup>2</sup>			
Power supply current	I <sub>CC</sub>	VCC	Normal operation (PLL)	*5	72 MHz	41	75	mA	*3 When all peripheral clocks are ON
					60 MHz	36	69		
					48 MHz	31	64		
					36 MHz	25	57		
					24 MHz	18	50		
					12 MHz	11	42		
					8 MHz	8.1	39		
					4 MHz	5.4	37	mA	*3 When all peripheral clocks are OFF
					72 MHz	32	63		
					60 MHz	28	58		
					48 MHz	24	54		
					36 MHz	20	50		
					24 MHz	15	45		
					12 MHz	9.1	38		
8 MHz	6.9	36							
4 MHz	4.6	34							

\*1: T<sub>A</sub>=+25 °C, V<sub>CC</sub>=3.3 V

\*2: T<sub>j</sub>=+125 °C, V<sub>CC</sub>=5.5 V

\*3: When all ports are input and are fixed at "0".

\*4: Frequency is a value of HCLK. PCLK0=PCLK1=PCLK2=HCLK

\*5: When 0 wait-cycle mode (FRWTR.RWT = 00, FSYNDN.SD = 00)

Parameter	Symbol	Pin Name	Conditions	Frequency* <sup>4</sup>	Value		Unit	Remarks	
					Typ* <sup>1</sup>	Max* <sup>2</sup>			
Power supply current	I <sub>CC</sub>	VCC	Normal operation (built-in high-speed CR)	*5	4 MHz	3.3	29	mA	*3 When all peripheral clocks are ON
						2.8	29	mA	*3 When all peripheral clocks are OFF
			Normal operation (sub oscillation)	*5	32 kHz	0.51	27	mA	*3 When all peripheral clocks are ON
						0.50	27	mA	*3 When all peripheral clocks are OFF
			Normal operation (built-in low-speed CR)	*5	100 kHz	0.54	27	mA	*3 When all peripheral clocks are ON
						0.52	27	mA	*3 When all peripheral clocks are OFF

\*1: T<sub>A</sub>=+25 °C, V<sub>CC</sub>=3.3 V

\*2: T<sub>j</sub>=+125 °C, V<sub>CC</sub>=5.5 V

\*3: When all ports are input and are fixed at "0".

\*4: Frequency is a value of HCLK. PCLK0=PCLK1=PCLK2=HCLK/2

\*5: When 0 wait-cycle mode (FRWTR.RWT = 00, FSYNDN.SD = 000)

Parameter	Symbol	Pin Name	Conditions	Frequency* <sup>4</sup>	Value		Unit	Remarks
					Typ* <sup>1</sup>	Max* <sup>2</sup>		
Power supply current	I <sub>CCS</sub>	VCC	Sleep operation (PLL)	160 MHz	28	58	mA	* <sup>3</sup> When all peripheral clocks are ON
				144 MHz	25	55		
				120 MHz	21	50		
				100 MHz	18	46		
				80 MHz	15	43		
				60 MHz	12	39		
				40 MHz	8.8	36		
				20 MHz	5.6	32		
				8 MHz	3.8	30		
				4 MHz	3.2	29	mA	* <sup>3</sup> When all peripheral clocks are OFF
				160 MHz	14	44		
				144 MHz	13	43		
				120 MHz	11	40		
				100 MHz	9.7	38		
				80 MHz	8.1	36		
				60 MHz	6.7	34		
				40 MHz	5.2	32		
				20 MHz	3.7	30		
8 MHz	2.9	29						
4 MHz	2.6	29						

Parameter	Symbol	Pin Name	Conditions	Frequency* <sup>5</sup>	Value		Unit	Remarks		
					Typ* <sup>1</sup>	Max* <sup>2</sup>				
Power supply current	I <sub>CCS</sub>	VCC	Sleep operation (PLL)	72 MHz	19	47	mA	* <sup>3</sup> When all peripheral clocks are ON		
				60 MHz	16	43				
				48 MHz	13	40				
				36 MHz	10	37				
				24 MHz	7.8	34				
				12 MHz	5.2	31				
				8 MHz	4.3	30				
				4 MHz	3.5	29			mA	* <sup>3</sup> When all peripheral clocks are OFF
				72 MHz	8.8	36				
				60 MHz	7.7	35				
				48 MHz	6.6	34				
				36 MHz	5.5	32				
				24 MHz	4.4	31				
				12 MHz	3.4	30				
				8 MHz	3	29				
				4 MHz	2.7	29				

\*1: T<sub>A</sub>=+25 °C, V<sub>CC</sub>=3.3 V

\*2: T<sub>j</sub>=+125 °C, V<sub>CC</sub>=5.5 V

\*3: When all ports are input and are fixed at "0".

\*4: Frequency is a value of HCLK. PCLK0=PCLK1=PCLK2=HCLK/2

\*5: Frequency is a value of HCLK. PCLK0=PCLK1=PCLK2=HCLK

Parameter	Symbol	Pin Name	Conditions	Frequency* <sup>4</sup>	Value		Unit	Remarks
					Typ* <sup>1</sup>	Max* <sup>2</sup>		
Power supply current	I <sub>CCS</sub>	VCC	Sleep operation (built-in high-speed CR)	4 MHz	1.3	27	mA	* <sup>3</sup> When all peripheral clocks are ON
					0.91	27	mA	* <sup>3</sup> When all peripheral clocks are OFF
			Sleep operation (sub oscillation)	32 kHz	0.49	27	mA	* <sup>3</sup> When all peripheral clocks are ON
					0.48	27	mA	* <sup>3</sup> When all peripheral clocks are OFF
			Sleep operation (built-in low-speed CR)	100 kHz	0.51	27	mA	* <sup>3</sup> When all peripheral clocks are ON
					0.49	27	mA	* <sup>3</sup> When all peripheral clocks are OFF

\*1: T<sub>A</sub>=+25 °C, V<sub>CC</sub>=3.3 V

\*2: T<sub>j</sub>=+125 °C, V<sub>CC</sub>=5.5 V

\*3: When all ports are input and are fixed at "0".

\*4: Frequency is a value of HCLK. PCLK0=PCLK1=PCLK2=HCLK/2

Parameter	Symbol	Pin Name	Conditions	Frequency	Value		Unit	Remarks
					Typ <sup>*1</sup>	Max <sup>*2</sup>		
Power supply current	I <sub>CCH</sub>	V <sub>CC</sub>	STOP mode	-	0.25	1.0	mA	*3, *4 T <sub>A</sub> =+25°C
					-	11	mA	*3, *4 T <sub>A</sub> =+85°C
					-	14	mA	*3, *4 T <sub>A</sub> =+105°C
	I <sub>CCT</sub>		TIMER mode (built-in high-speed CR)	4 MHz	0.54	1.54	mA	*3, *4 T <sub>A</sub> =+25°C
					-	12	mA	*3, *4 T <sub>A</sub> =+85°C
					-	15	mA	*3, *4 T <sub>A</sub> =+105°C
			TIMER mode (sub oscillation)	32 kHz	0.25	1.0	mA	*3, *4 T <sub>A</sub> =+25°C
					-	11	mA	*3, *4 T <sub>A</sub> =+85°C
					-	14	mA	*3, *4 T <sub>A</sub> =+105°C
	TIMER mode (built-in low-speed CR)		100 kHz	0.26	1.0	mA	*3, *4 T <sub>A</sub> =+25°C	
				-	11	mA	*3, *4 T <sub>A</sub> =+85°C	
				-	14	mA	*3, *4 T <sub>A</sub> =+105°C	
	I <sub>CCR</sub>		RTC mode (sub oscillation)	32 kHz	0.25	1.0	mA	*3, *4 T <sub>A</sub> =+25°C
					-	11	mA	*3, *4 T <sub>A</sub> =+85°C
					-	14	mA	*3, *4 T <sub>A</sub> =+105°C

\*1: V<sub>CC</sub>=3.3 V

\*2: V<sub>CC</sub>=5.5 V

\*3: When all ports are input and are fixed at "0".

\*4: When LVD is OFF

Parameter	Symbol	Pin Name	Conditions	Frequency	Value		Unit	Remarks
					Typ <sup>*1</sup>	Max <sup>*2</sup>		
Power supply current	I <sub>CC</sub> HD	VCC	Deep standby STOP mode (When RAM is OFF) *6	-	27	140	μA	*3, *4 T <sub>A</sub> = +25°C
					-	590	μA	*3, *4 T <sub>A</sub> = +85°C
					-	770	μA	*3, *4 T <sub>A</sub> = +105°C
			Deep standby STOP mode (When RAM is ON) *6		32	180	μA	*3, *4 T <sub>A</sub> = +25°C
					-	870	μA	*3, *4 T <sub>A</sub> = +85°C
					-	1200	μA	*3, *4 T <sub>A</sub> = +105°C
	I <sub>CC</sub> RD	VCC	Deep standby RTC mode (When RAM is OFF) *7	32 kHz	27	140	μA	*3, *4 T <sub>A</sub> = +25°C
					-	590	μA	*3, *4 T <sub>A</sub> = +85°C
					-	770	μA	*3, *4 T <sub>A</sub> = +105°C
			Deep standby RTC mode (When RAM is ON) *7		32	180	μA	*3, *4 T <sub>A</sub> = +25°C
					-	870	μA	*3, *4 T <sub>A</sub> = +85°C
					-	1200	μA	*3, *4 T <sub>A</sub> = +105°C
	I <sub>CC</sub> VBAT	VBAT	RTC stop *9	-	0.015	0.14	μA	*3, *4, *5 T <sub>A</sub> = +25°C
					-	4.0	μA	*3, *4, *5 T <sub>A</sub> = +85°C
					-	9.4	μA	*3, *4, *5 T <sub>A</sub> = +105°C
RTC operation *8, *9			32 kHz		1.3	2.4	μA	*3, *4 T <sub>A</sub> = +25°C
			-		6.2	μA	*3, *4 T <sub>A</sub> = +85°C	
			-		12	μA	*3, *4 T <sub>A</sub> = +105°C	

\*1: V<sub>CC</sub>=3.3 V

\*2: V<sub>CC</sub>=5.5 V

\*3: When all ports are input and are fixed at "0".

\*4: When LVD is OFF

\*5: When sub oscillation is OFF

\*6: When 48 pin Package, add supply current of RTC stop.

\*7: When 48 pin Package, add supply current of RTC operation.

\*8: When using the crystal oscillator of 32 kHz (including the current consumption of the oscillation circuit).

\*9: In the case of setting RTC after VCC power on.



Parameter	Symbol	Pin Name	Conditions	Value			Unit	Remarks
				Min	Typ	Max		
Low-voltage detection circuit (LVD) power supply current	I <sub>CC</sub> LVD	VCC	At operation	-	4	7	μA	For occurrence of interrupt
Main flash memory write/erase current	I <sub>CC</sub> FLASH		At Write/Erase	-	13.4	15.9	mA	
Work flash memory write/erase current	I <sub>CC</sub> WFLASH		At Write/Erase	-	11.5	13.6	mA	

**Peripheral Current Dissipation**

Clock System	Peripheral	Unit	Frequency (MHz)			Unit	Remarks
			40	80	160		
HCLK	GPIO	All ports	0.21	0.43	0.92	mA	
	DMAC	-	0.71	1.43	2.74		
	DSTC	-	0.36	0.72	1.46		
PCLK1	Base timer	4ch.	0.18	0.36	0.70	mA	
	Multi-functional timer/PPG	1 unit/4ch.	0.57	1.13	2.24		
	Quadrature position/Revolution counter	1 unit	0.04	0.08	0.16		
	A/DC	1 unit	0.21	0.40	0.79		
PCLK2	Multi-function serial	1ch.	0.33	0.67	-	mA	

**12.3.2 Pin Characteristics**
 $(V_{CC} = AV_{CC} = 2.7V \text{ to } 5.5V, V_{SS} = AV_{SS} = 0V)$ 

Parameter	Symbol	Pin Name	Conditions	Value			Unit	Remarks
				Min	Typ	Max		
"H" level input voltage (hysteresis input)	$V_{IHS}$	CMOS hysteresis input pin, MD0, MD1	-	$V_{CC} \times 0.8$	-	$V_{CC} + 0.3$	V	
		5V tolerant input pin	-	$V_{CC} \times 0.8$	-	$V_{SS} + 5.5$	V	
		Input pin doubled as I <sup>2</sup> C Fm+	-	$V_{CC} \times 0.7$	-	$V_{SS} + 5.5$	V	
"L" level input voltage (hysteresis input)	$V_{ILS}$	CMOS hysteresis input pin, MD0, MD1	-	$V_{SS} - 0.3$	-	$V_{CC} \times 0.2$	V	
		5V tolerant input pin	-	$V_{SS} - 0.3$	-	$V_{CC} \times 0.2$	V	
		Input pin doubled as I <sup>2</sup> C Fm+	-	$V_{SS}$	-	$V_{CC} \times 0.3$	V	
"H" level output voltage	$V_{OH}$	4mA type	$V_{CC} \geq 4.5 V,$ $I_{OH} = - 4 \text{ mA}$	$V_{CC} - 0.5$	-	$V_{CC}$	V	
			$V_{CC} < 4.5 V,$ $I_{OH} = - 2 \text{ mA}$					
		8mA type	$V_{CC} \geq 4.5 V,$ $I_{OH} = - 8 \text{ mA}$	$V_{CC} - 0.5$	-	$V_{CC}$	V	
			$V_{CC} < 4.5 V,$ $I_{OH} = - 4 \text{ mA}$					
		12mA type	$V_{CC} \geq 4.5 V,$ $I_{OH} = - 12 \text{ mA}$	$V_{CC} - 0.5$	-	$V_{CC}$	V	
			$V_{CC} < 4.5 V,$ $I_{OH} = - 8 \text{ mA}$					
		The pin doubled as I <sup>2</sup> C Fm+	$V_{CC} \geq 4.5 V,$ $I_{OH} = - 4 \text{ mA}$	$V_{CC} - 0.5$	-	$V_{CC}$	V	At GPIO
			$V_{CC} < 4.5 V,$ $I_{OH} = - 3 \text{ mA}$					

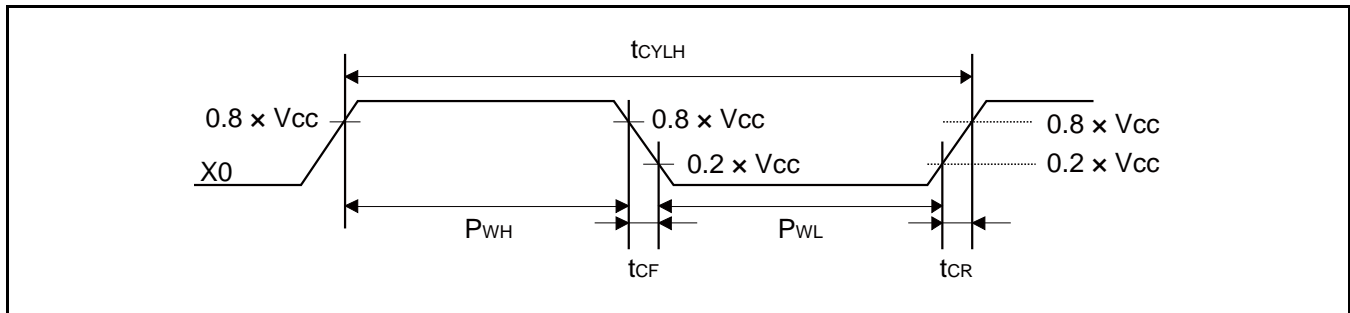
Parameter	Symbol	Pin Name	Conditions	Value			Unit	Remarks	
				Min	Typ	Max			
"L" level output voltage	V <sub>OL</sub>	4 mA type	V <sub>CC</sub> ≥ 4.5 V, I <sub>OL</sub> = 4 mA	V <sub>SS</sub>	-	0.4	V		
			V <sub>CC</sub> < 4.5 V, I <sub>OL</sub> = 2 mA						
		8 mA type	V <sub>CC</sub> ≥ 4.5 V, I <sub>OH</sub> = 8 mA	V <sub>SS</sub>	-	0.4	V		
			V <sub>CC</sub> < 4.5 V, I <sub>OH</sub> = 4 mA						
		12 mA type	V <sub>CC</sub> ≥ 4.5 V, I <sub>OL</sub> = 12 mA	V <sub>SS</sub>	-	0.4	V		
			V <sub>CC</sub> < 4.5 V, I <sub>OL</sub> = 8 mA						
		The pin doubled as I <sup>2</sup> C Fm+	V <sub>CC</sub> ≥ 4.5 V, I <sub>OH</sub> = 4 mA	V <sub>SS</sub>	-	0.4	V		At GPIO
			V <sub>CC</sub> < 4.5 V, I <sub>OH</sub> = 3 mA						At I <sup>2</sup> C Fm+
V <sub>CC</sub> ≤ 5.5 V, I <sub>OH</sub> = 20 mA									
Input leak current	I <sub>IL</sub>	-	-	- 5	-	+ 5	μA		
Pull-up resistor value	R <sub>PU</sub>	Pull-up pin	V <sub>CC</sub> ≥ 4.5 V	25	50	100	kΩ		
			V <sub>CC</sub> < 4.5 V	30	80	200			
Input capacitance	C <sub>IN</sub>	Other than VCC, VBAT, VSS, AVCC, AVSS, AVRH	-	-	5	15	pF		

**12.4 AC Characteristics**
**12.4.1 Main Clock Input Characteristics**
 $(V_{CC} = 2.7V \text{ to } 5.5V, V_{SS} = 0V)$ 

Parameter	Symbol	Pin Name	Conditions	Value		Unit	Remarks	
				Min	Max			
Input frequency	$f_{CH}$	X0, X1	$V_{CC} \geq 4.5 V$	4	48	MHz	When crystal oscillator is connected	
			$V_{CC} < 4.5 V$	4	20			
			$V_{CC} \geq 4.5 V$	4	48	MHz	When using external clock	
			$V_{CC} < 4.5 V$	4	20			
Input clock cycle	$t_{CYLH}$		$V_{CC} \geq 4.5 V$	20.83	250	ns	When using external clock	
			$V_{CC} < 4.5 V$	50	250			
Input clock pulse width	-			$P_{WH}/t_{CYLH},$ $P_{WL}/t_{CYLH}$	45	55	%	When using external clock
Input clock rising time and falling time	$t_{CF},$ $t_{CR}$			-	-	5	ns	When using external clock
Internal operating clock*1 frequency	$f_{CC}$	-	-	-	160	MHz	Base clock (HCLK/FCLK)	
	$f_{CP0}$	-	-	-	80	MHz	APB0 bus clock*2	
	$f_{CP1}$	-	-	-	160	MHz	APB1 bus clock*2	
	$f_{CP2}$	-	-	-	80	MHz	APB2 bus clock*2	
Internal operating clock*1 cycle time	$t_{CYCC}$	-	-	6.25	-	ns	Base clock (HCLK/FCLK)	
	$t_{CYCP0}$	-	-	12.5	-	ns	APB0 bus clock*2	
	$t_{CYCP1}$	-	-	6.25	-	ns	APB1 bus clock*2	
	$t_{CYCP2}$	-	-	12.5	-	ns	APB2 bus clock*2	

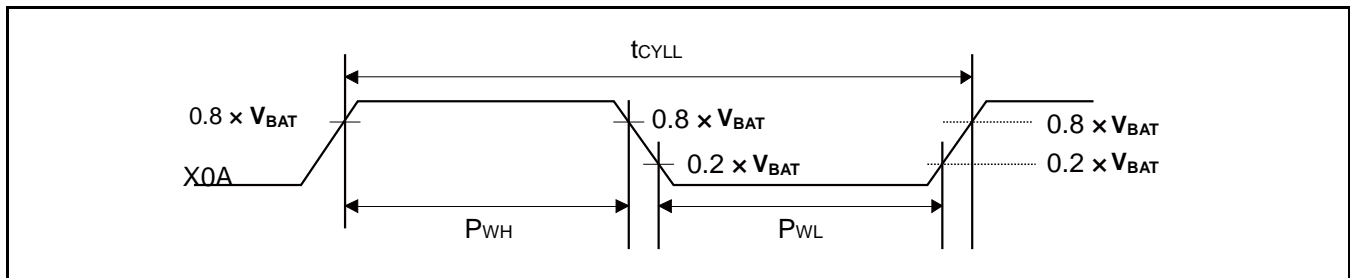
\*1: For more information about each internal operating clock, see CHAPTER 2-1: Clock in FM4 Family Peripheral Manual Main part (002-04856).

\*2: For about each APB bus which each peripheral is connected to, see 8. Block Diagram in this data sheet.



**12.4.2 Sub Clock Input Characteristics**
 $(V_{BAT} = 2.7V \text{ to } 5.5V, V_{SS} = 0V)$ 

Parameter	Symbol	Pin Name	Conditions	Value			Unit	Remarks
				Min	Typ	Max		
Input frequency	$1/t_{CYLL}$	X0A, X1A	-	-	32.768	-	kHz	When crystal oscillator is connected
			-	32	-	100		kHz
Input clock cycle	$t_{CYLL}$		-	10	-	31.25	$\mu s$	When using external clock
Input clock pulse width	-		$P_{WH}/t_{CYLL},$ $P_{WL}/t_{CYLL}$	45	-	55	%	When using external clock



In the case of 48 pin Package,  $V_{BAT}$  is  $V_{CC}$ .

**12.4.3 Built-in CR Oscillation Characteristics**
**Built-in High-Speed CR**
 $(V_{CC} = 2.7V \text{ to } 5.5V, V_{SS} = 0V)$ 

Parameter	Symbol	Conditions	Value			Unit	Remarks
			Min	Typ	Max		
Clock frequency	$f_{CRH}$	$T_J = -20^\circ C \text{ to } +105^\circ C$	3.92	4	4.08	MHz	When trimming *
		$T_J = -40^\circ C \text{ to } +125^\circ C$	3.88	4	4.12		
		$T_J = -40^\circ C \text{ to } +125^\circ C$	3	4	5		When not trimming
Frequency stabilization time	$t_{CRWT}$	-	-	-	30	$\mu s$	*2

\*1: In the case of using the values in CR trimming area of Flash memory at shipment for frequency/temperature trimming.

\*2: This is the time to stabilize the frequency of high-speed CR clock after setting trimming value.

This period is able to use high-speed CR clock as source clock.

**Built-in Low-Speed CR**
 $(V_{CC} = 2.7V \text{ to } 5.5V, V_{SS} = 0V)$ 

Parameter	Symbol	Condition	Value			Unit	Remarks
			Min	Typ	Max		
Clock frequency	$f_{CRL}$	-	50	100	150	kHz	

**12.4.4 Operating Conditions of Main PLL (In the Case of Using Main Clock for Input Clock of PLL)**
*(V<sub>CC</sub> = 2.7V to 5.5V, V<sub>SS</sub> = 0V)*

Parameter	Symbol	Value			Unit	Remarks
		Min	Typ	Max		
PLL oscillation stabilization wait time* <sup>1</sup> (LOCK UP time)	t <sub>LOCK</sub>	200	-	-	μs	
PLL input clock frequency	f <sub>PLLI</sub>	4	-	16	MHz	
PLL multiplication rate	-	13	-	80	multiplier	
PLL macro oscillation clock frequency	f <sub>PLLO</sub>	200	-	320	MHz	
Main PLL clock frequency* <sup>2</sup>	f <sub>CLKPLL</sub>	-	-	160	MHz	

\*1: Time from when the PLL starts operating until the oscillation stabilizes.

\*2: For more information about Main PLL clock (CLKPLL), see CHAPTER 2-1: Clock in FM4 Family Peripheral Manual Main part (002-04856).

**12.4.5 Operating Conditions of Main PLL (In the Case of Using Built-in High-Speed CR Clock for Input Clock of Main PLL)**
*(V<sub>CC</sub> = 2.7V to 5.5V, V<sub>SS</sub> = 0V)*

Parameter	Symbol	Value			Unit	Remarks
		Min	Typ	Max		
PLL oscillation stabilization wait time* <sup>1</sup> (LOCK UP time)	t <sub>LOCK</sub>	200	-	-	μs	
PLL input clock frequency	f <sub>PLLI</sub>	3.8	4	4.2	MHz	
PLL multiplication rate	-	50	-	75	multiplier	
PLL macro oscillation clock frequency	f <sub>PLLO</sub>	190	-	320	MHz	
Main PLL clock frequency* <sup>2</sup>	f <sub>CLKPLL</sub>	-	-	160	MHz	

\*1: Time from when the PLL starts operating until the oscillation stabilizes.

\*2: For more information about Main PLL clock (CLKPLL), see CHAPTER 2-1: Clock in FM4 Family Peripheral Manual Main part (002-04856).

**Note:**

- Make sure to input to the main PLL source clock, the high-speed CR clock (CLKHC) that the frequency and temperature has been trimmed.

**12.4.6 Reset Input Characteristics**
*(V<sub>CC</sub> = 2.7V to 5.5V, V<sub>SS</sub> = 0V)*

Parameter	Symbol	Pin Name	Condition	Value		Unit	Remarks
				Min	Max		
Reset input time	t <sub>INITX</sub>	INITX	-	500	-	ns	

**12.4.7 Power-on Reset Timing**

 (V<sub>SS</sub> = 0V, T<sub>A</sub> = - 40°C to + 85°C)

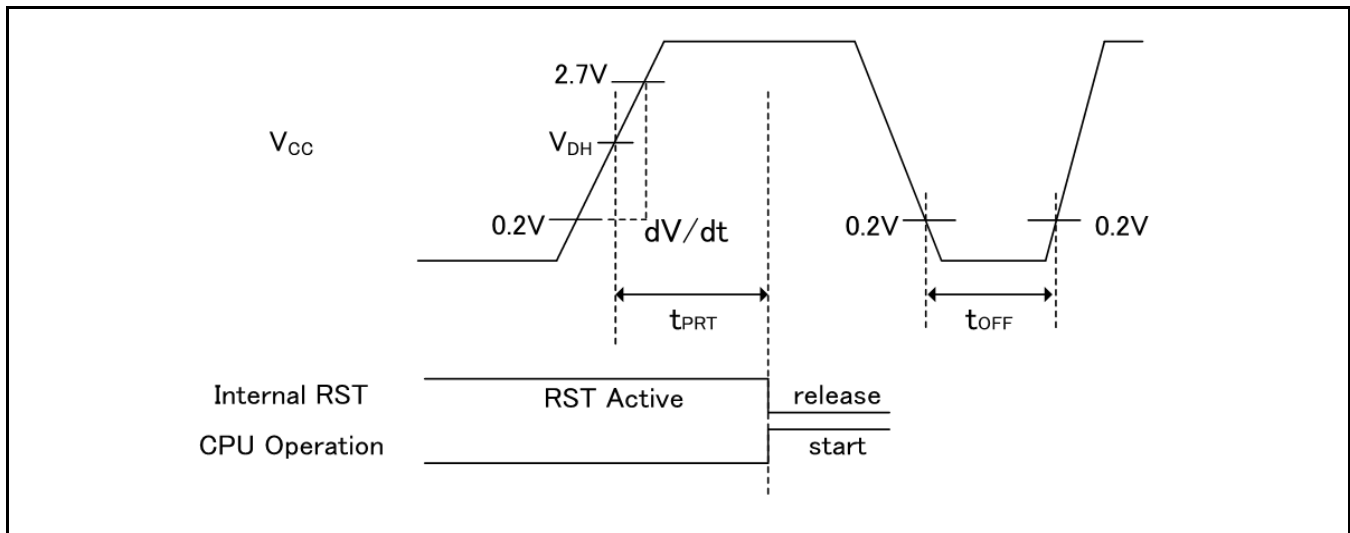
Parameter	Symbol	Pin Name	Conditions	Value			Unit	Remarks
				Min	Typ	Max		
Power supply shut down time	t <sub>OFF</sub>	VCC	-	50	-	-	ms	*1
Power ramp rate	dV/dt		V <sub>CC</sub> : 0.2V to 2.70V	1.3	-	1000	mV/ μs	*2
Time until releasing Power-on reset	t <sub>PRT</sub>		-	0.33	-	0.60	ms	

\*1: V<sub>CC</sub> must be held below 0.2V for a minimum period of t<sub>OFF</sub>. Improper initialization may occur if this condition is not met.

\*2: This dV/dt characteristic is applied at the power-on of cold start (t<sub>OFF</sub>>50ms).

**Note:**

- t<sub>OFF</sub> must be satisfied. When t<sub>OFF</sub> cannot be satisfied, assert external reset (INITX) at power-up and at any brownout event.


**Glossary**

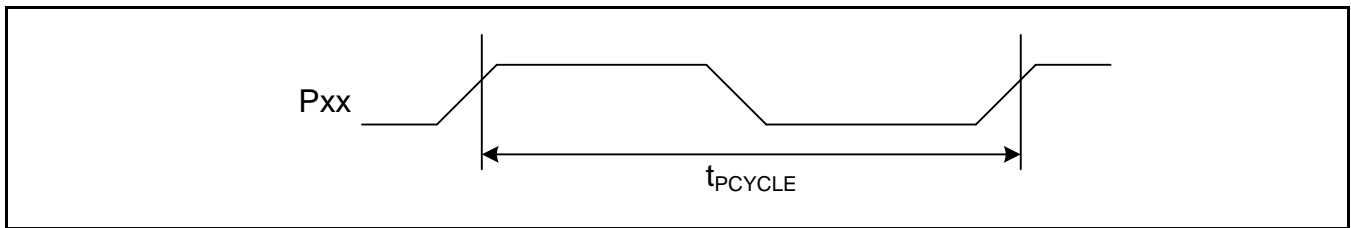
- V<sub>DH</sub>: detection voltage of Low-Voltage detection reset. See [12.7 Low-Voltage Detection Characteristics](#).

**12.4.8 GPIO Output Characteristics**

 (V<sub>CC</sub> = 2.7V to 5.5V, V<sub>SS</sub> = 0V)

Parameter	Symbol	Pin Name	Conditions	Value		Unit
				Min	Max	
Output frequency	t <sub>PCYCLE</sub>	Pxx*	V <sub>CC</sub> ≥ 4.5 V	-	50	MHz
			V <sub>CC</sub> < 4.5 V	-	32	MHz

\*: GPIO is a target.

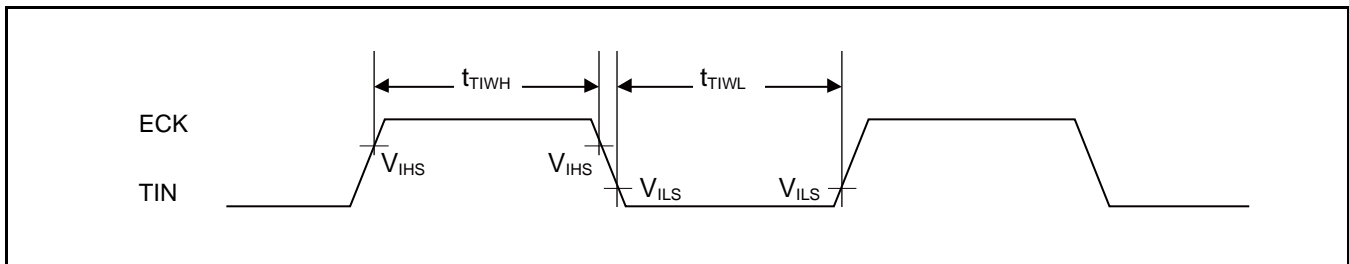




**12.4.9 Base Timer Input Timing**
**Timer Input Timing**

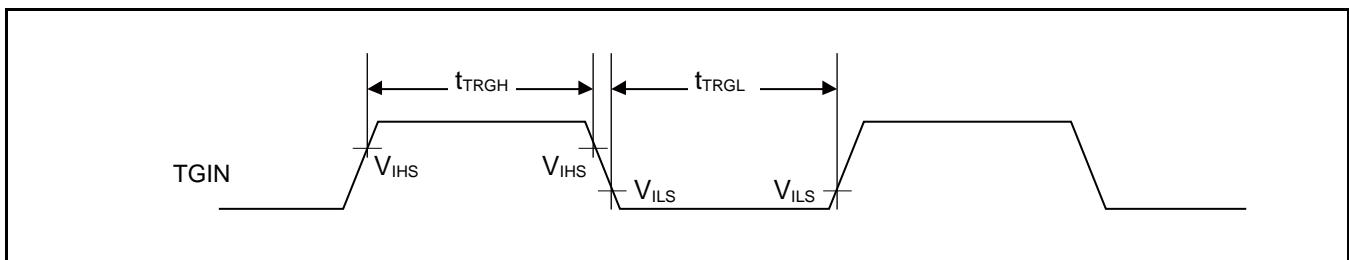
 (V<sub>CC</sub> = 2.7V to 5.5V, V<sub>SS</sub> = 0V)

Parameter	Symbol	Pin Name	Conditions	Value		Unit	Remarks
				Min	Max		
Input pulse width	t <sub>TIWH</sub> , t <sub>TIWL</sub>	TIOAn/TIOBn (when using as ECK, TIN)	-	2t <sub>CYCP</sub>	-	ns	


**Trigger Input Timing**

 (V<sub>CC</sub> = 2.7V to 5.5V, V<sub>SS</sub> = 0V)

Parameter	Symbol	Pin Name	Conditions	Value		Unit	Remarks
				Min	Max		
Input pulse width	t <sub>TRGH</sub> , t <sub>TRGL</sub>	TIOAn/TIOBn (when using as TGIN)	-	2t <sub>CYCP</sub>	-	ns	


**Note:**

- t<sub>CYCP</sub> indicates the APB bus clock cycle time.  
About the APB bus number which the Base Timer is connected to, see 8. Block Diagram in this data sheet.

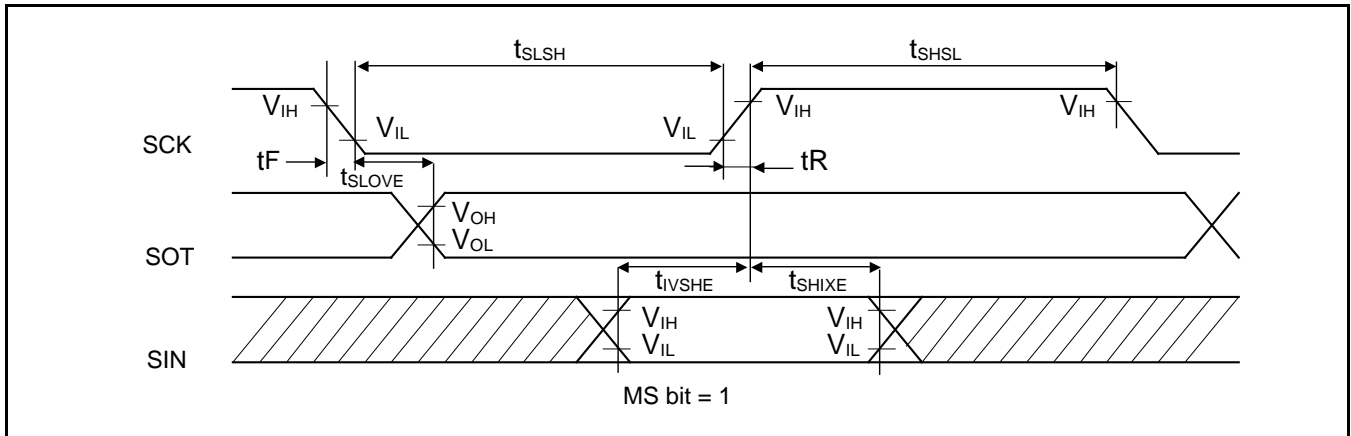
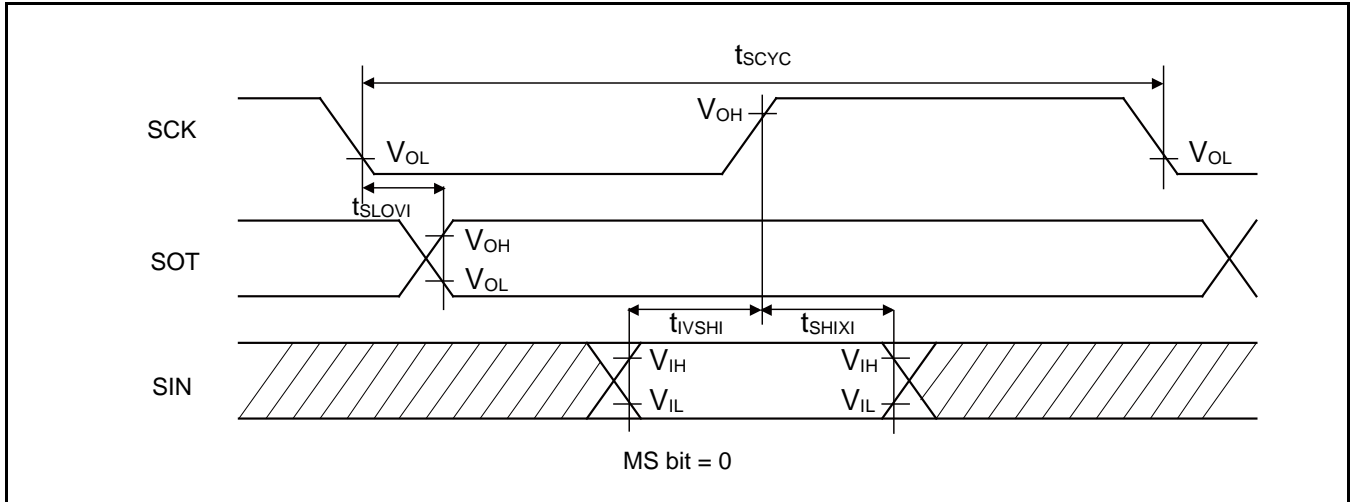
**12.4.10 CSIO/UART Timing**
**Synchronous Serial (SPI = 0, SCINV = 0)**

 (V<sub>CC</sub> = 2.7V to 5.5V, V<sub>SS</sub> = 0V)

Parameter	Symbol	Pin Name	Conditions	V <sub>CC</sub> < 4.5 V		V <sub>CC</sub> ≥ 4.5 V		Unit
				Min	Max	Min	Max	
Baud rate	-	-	-	-	8	-	8	Mbps
Serial clock cycle time	t <sub>SCYC</sub>	SCKx	Internal shift clock operation	4t <sub>CYCP</sub>	-	4t <sub>CYCP</sub>	-	ns
SCK↓→SOT delay time	t <sub>SLOVI</sub>	SCKx, SOTx		- 30	+ 30	- 20	+ 20	ns
SIN→SCK↑ setup time	t <sub>IVSHI</sub>	SCKx, SINx		50	-	30	-	ns
SCK↑→SIN hold time	t <sub>SHIXI</sub>	SCKx, SINx		0	-	0	-	ns
Serial clock "L" pulse width	t <sub>SLSH</sub>	SCKx	External shift clock operation	2t <sub>CYCP</sub> - 10	-	2t <sub>CYCP</sub> - 10	-	ns
Serial clock "H" pulse width	t <sub>SHSL</sub>	SCKx		t <sub>CYCP</sub> + 10	-	t <sub>CYCP</sub> + 10	-	ns
SCK↓→SOT delay time	t <sub>SLOVE</sub>	SCKx, SOTx		-	50	-	30	ns
SIN→SCK↑ setup time	t <sub>IVSHE</sub>	SCKx, SINx		10	-	10	-	ns
SCK↑→SIN hold time	t <sub>SHIXE</sub>	SCKx, SINx		20	-	20	-	ns
SCK falling time	t <sub>F</sub>	SCKx		-	5	-	5	ns
SCK rising time	t <sub>R</sub>	SCKx		-	5	-	5	ns

**Notes:**

- The above characteristics apply to CLK synchronous mode.
- t<sub>CYCP</sub> indicates the APB bus clock cycle time.  
About the APB bus number which UART is connected to, see 8. Block Diagram in this data sheet.
- These characteristics only guarantee the same relocate port number.  
For example, the combination of SCKx\_0 and SOTx\_1 is not guaranteed.
- When the external load capacitance C<sub>L</sub> = 30 pF.



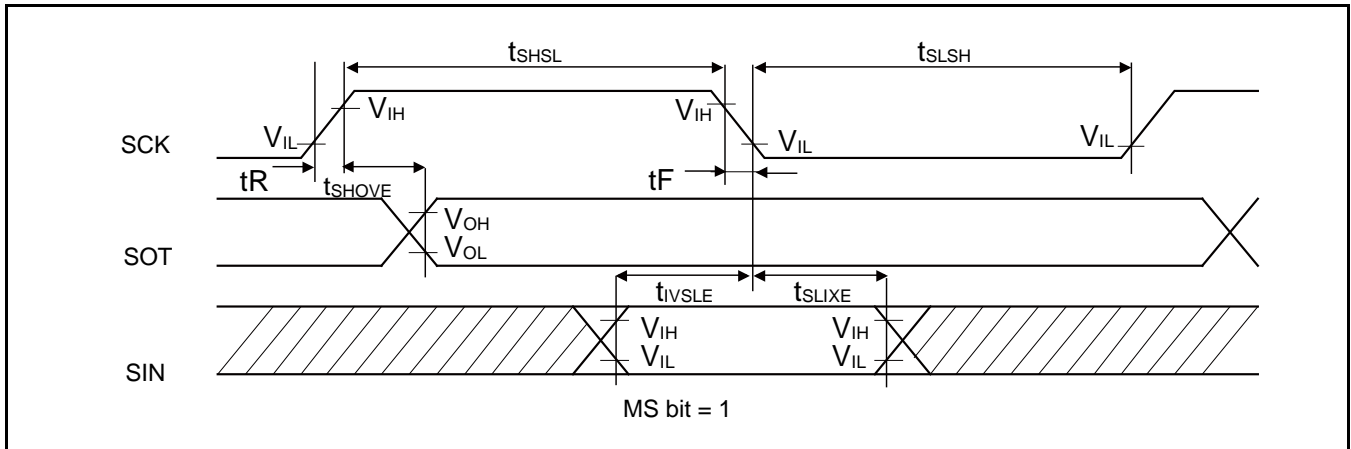
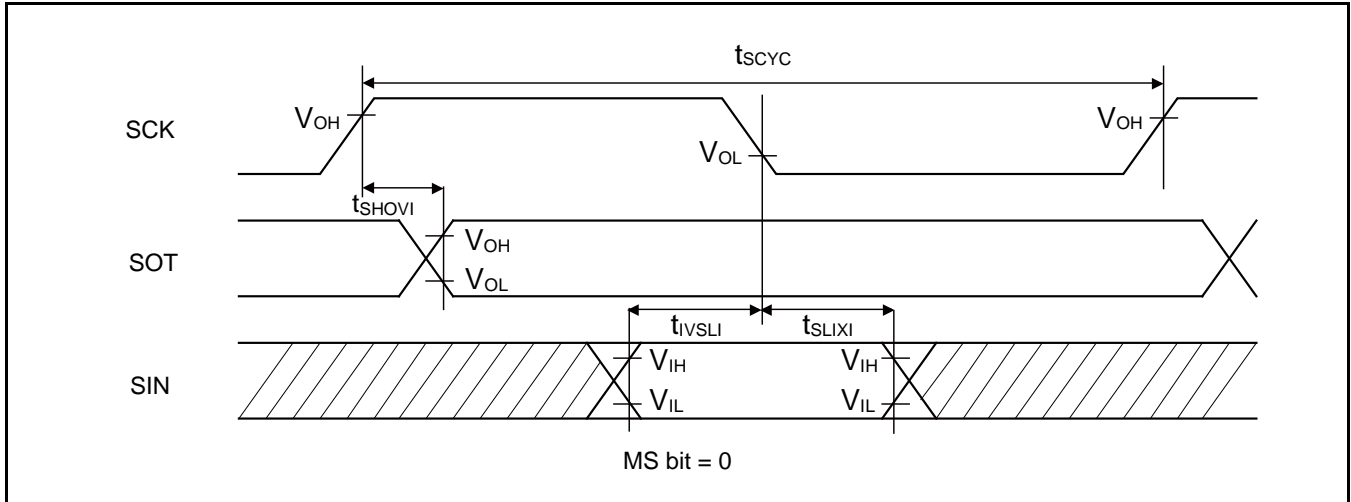
**Synchronous Serial (SPI = 0, SCINV = 1)**

 (V<sub>CC</sub> = 2.7V to 5.5V, V<sub>SS</sub> = 0V)

Parameter	Symbol	Pin Name	Conditions	V <sub>CC</sub> < 4.5 V		V <sub>CC</sub> ≥ 4.5 V		Unit
				Min	Max	Min	Max	
Baud rate	-	-	-	-	8	-	8	Mbps
Serial clock cycle time	t <sub>SCYC</sub>	SCKx	Internal shift clock operation	4t <sub>CYCP</sub>	-	4t <sub>CYCP</sub>	-	ns
SCK↑→SOT delay time	t <sub>SHOVI</sub>	SCKx, SOTx		- 30	+ 30	- 20	+ 20	ns
SIN→SCK↓ setup time	t <sub>IVSLI</sub>	SCKx, SINx		50	-	30	-	ns
SCK↓→SIN hold time	t <sub>SLIXI</sub>	SCKx, SINx		0	-	0	-	ns
Serial clock "L" pulse width	t <sub>LSLH</sub>	SCKx	External shift clock operation	2t <sub>CYCP</sub> - 10	-	2t <sub>CYCP</sub> - 10	-	ns
Serial clock "H" pulse width	t <sub>SHSL</sub>	SCKx		t <sub>CYCP</sub> + 10	-	t <sub>CYCP</sub> + 10	-	ns
SCK↑→SOT delay time	t <sub>SHOVE</sub>	SCKx, SOTx		-	50	-	30	ns
SIN→SCK↓ setup time	t <sub>IVSLE</sub>	SCKx, SINx		10	-	10	-	ns
SCK↓→SIN hold time	t <sub>SLIXE</sub>	SCKx, SINx		20	-	20	-	ns
SCK falling time	t <sub>F</sub>	SCKx		-	5	-	5	ns
SCK rising time	t <sub>R</sub>	SCKx	-	5	-	5	ns	

**Notes:**

- The above characteristics apply to CLK synchronous mode.
- t<sub>CYCP</sub> indicates the APB bus clock cycle time.  
About the APB bus number which UART is connected to, see 8. Block Diagram in this data sheet.
- These characteristics only guarantee the same relocate port number.  
For example, the combination of SCKx\_0 and SOTx\_1 is not guaranteed.
- When the external load capacitance C<sub>L</sub> = 30 pF.



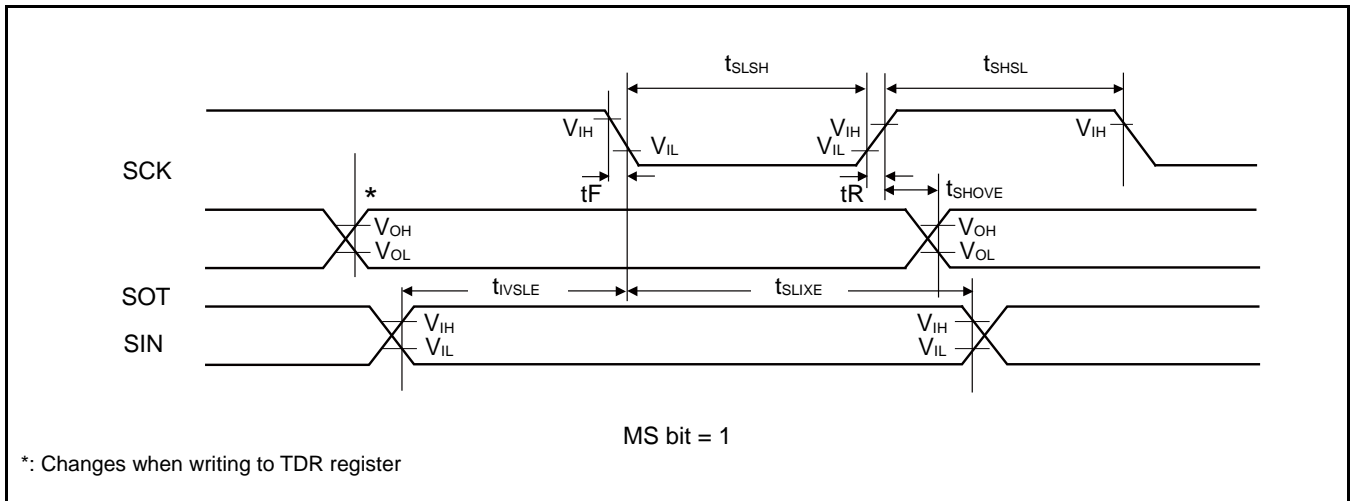
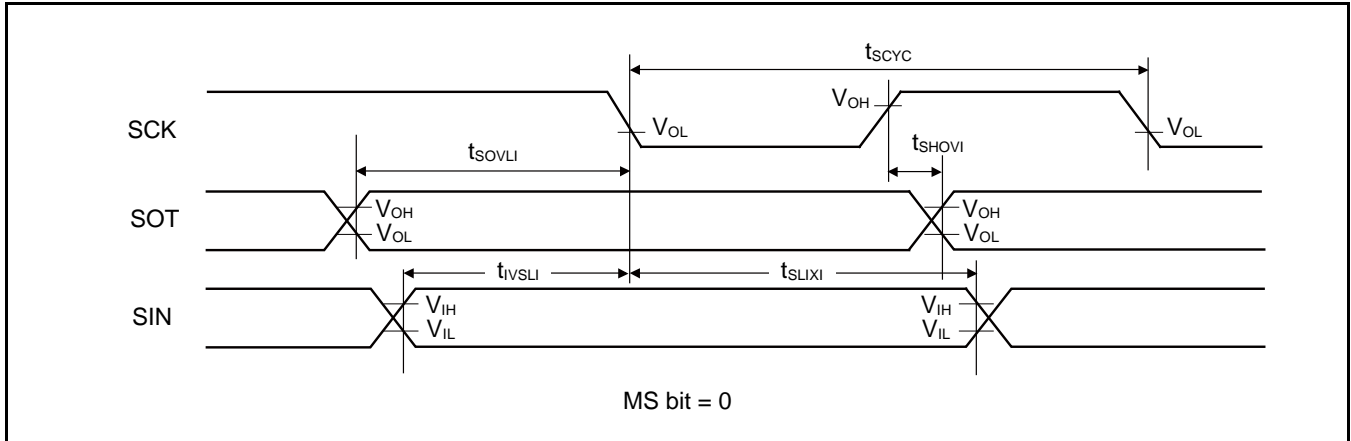
**Synchronous Serial (SPI = 1, SCINV = 0)**

 (V<sub>CC</sub> = 2.7V to 5.5V, V<sub>SS</sub> = 0V)

Parameter	Symbol	Pin Name	Conditions	V <sub>CC</sub> < 4.5 V		V <sub>CC</sub> ≥ 4.5 V		Unit
				Min	Max	Min	Max	
Baud rate	-	-	-	-	8	-	8	Mbps
Serial clock cycle time	t <sub>SCYC</sub>	SCKx	Internal shift clock operation	4t <sub>CYCP</sub>	-	4t <sub>CYCP</sub>	-	ns
SCK↑→SOT delay time	t <sub>SHOVI</sub>	SCKx, SOTx		- 30	+ 30	- 20	+ 20	ns
SIN→SCK↓ setup time	t <sub>IVSLI</sub>	SCKx, SINx		50	-	30	-	ns
SCK↓→SIN hold time	t <sub>SLIXI</sub>	SCKx, SINx		0	-	0	-	ns
SOT→SCK↓ delay time	t <sub>SOVLI</sub>	SCKx, SOTx		2t <sub>CYCP</sub> - 30	-	2t <sub>CYCP</sub> - 30	-	ns
Serial clock "L" pulse width	t <sub>SLSH</sub>	SCKx		2t <sub>CYCP</sub> - 10	-	2t <sub>CYCP</sub> - 10	-	ns
Serial clock "H" pulse width	t <sub>SHSL</sub>	SCKx	t <sub>CYCP</sub> + 10	-	t <sub>CYCP</sub> + 10	-	ns	
SCK↑→SOT delay time	t <sub>SHOVE</sub>	SCKx, SOTx	External shift clock operation	-	50	-	30	ns
SIN→SCK↓ setup time	t <sub>IVSLE</sub>	SCKx, SINx		10	-	10	-	ns
SCK↓→SIN hold time	t <sub>SLIXE</sub>	SCKx, SINx		20	-	20	-	ns
SCK falling time	t <sub>F</sub>	SCKx		-	5	-	5	ns
SCK rising time	t <sub>R</sub>	SCKx		-	5	-	5	ns

**Notes:**

- The above characteristics apply to CLK synchronous mode.
- t<sub>CYCP</sub> indicates the APB bus clock cycle time.  
About the APB bus number which UART is connected to, see 8. Block Diagram in this data sheet.
- These characteristics only guarantee the same relocate port number.  
For example, the combination of SCKx\_0 and SOTx\_1 is not guaranteed.
- When the external load capacitance C<sub>L</sub> = 30 pF.



**Synchronous Serial (SPI = 1, SCINV = 1)**

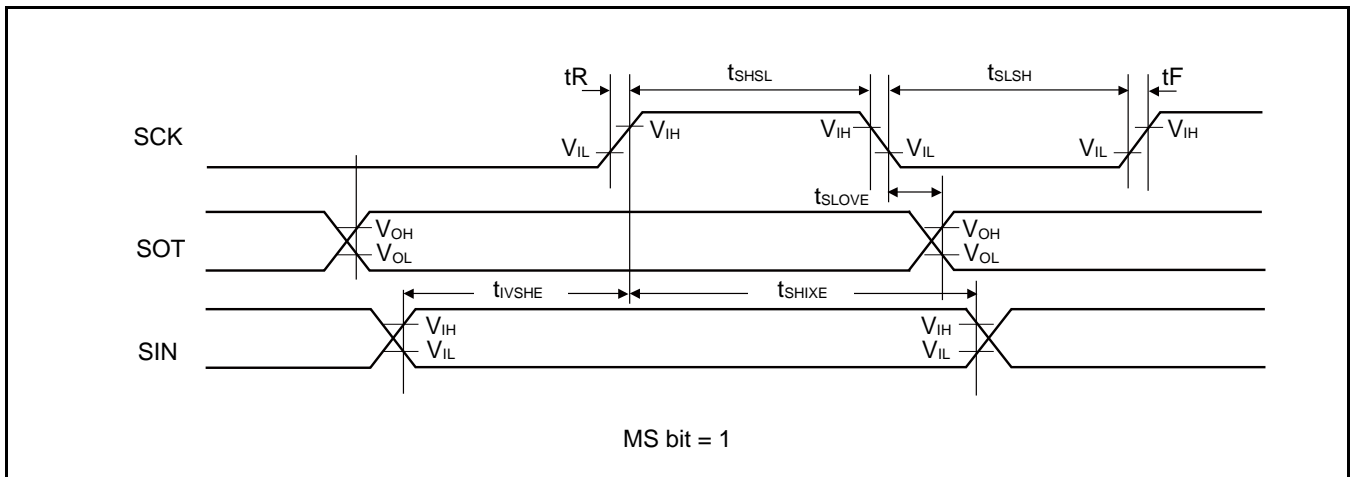
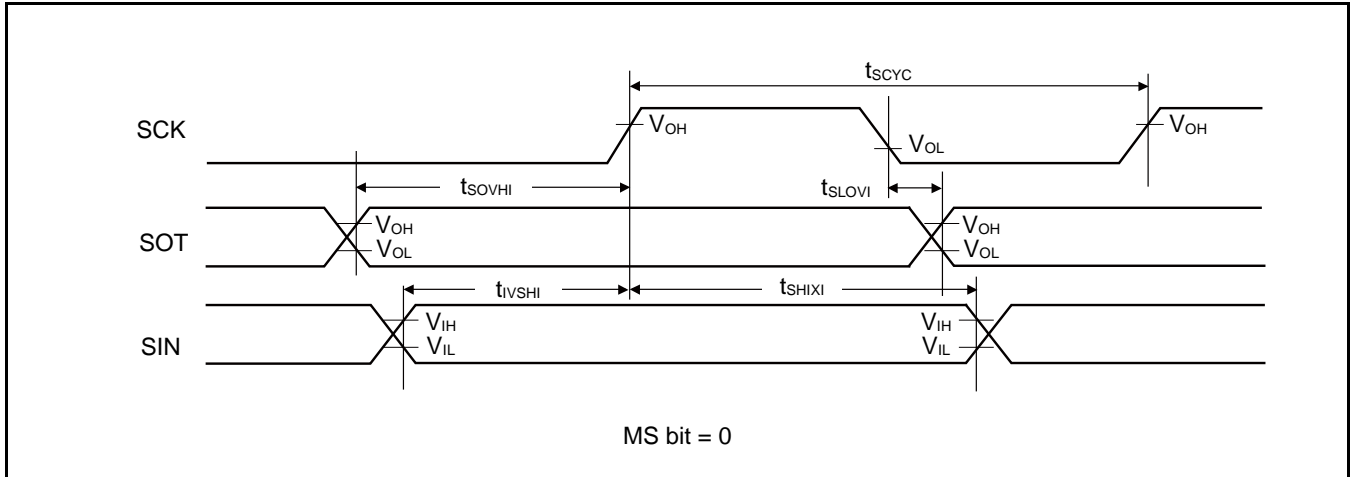
 (V<sub>CC</sub> = 2.7V to 5.5V, V<sub>SS</sub> = 0V)

Parameter	Symbol	Pin Name	Conditions	V <sub>CC</sub> < 4.5 V		V <sub>CC</sub> ≥ 4.5 V		Unit
				Min	Max	Min	Max	
Baud rate	-	-	-	-	8	-	8	Mbps
Serial clock cycle time	t <sub>SCYC</sub>	SCKx	Internal shift clock operation	4t <sub>CYCP</sub>	-	4t <sub>CYCP</sub>	-	ns
SCK↓→SOT delay time	t <sub>SLOVI</sub>	SCKx, SOTx		- 30	+ 30	- 20	+ 20	ns
SIN→SCK↑ setup time	t <sub>IVSHI</sub>	SCKx, SINx		50	-	30	-	ns
SCK↑→SIN hold time	t <sub>SHIXI</sub>	SCKx, SINx		0	-	0	-	ns
SOT→SCK↑ delay time	t <sub>SOVHI</sub>	SCKx, SOTx		2t <sub>CYCP</sub> - 30	-	2t <sub>CYCP</sub> - 30	-	ns
Serial clock "L" pulse width	t <sub>SLSH</sub>	SCKx		2t <sub>CYCP</sub> - 10	-	2t <sub>CYCP</sub> - 10	-	ns
Serial clock "H" pulse width	t <sub>SHSL</sub>	SCKx	t <sub>CYCP</sub> + 10	-	t <sub>CYCP</sub> + 10	-	ns	
SCK↓→SOT delay time	t <sub>SLOVE</sub>	SCKx, SOTx	External shift clock operation	-	50	-	30	ns
SIN→SCK↑ setup time	t <sub>IVSHE</sub>	SCKx, SINx		10	-	10	-	ns
SCK↑→SIN hold time	t <sub>SHIXE</sub>	SCKx, SINx		20	-	20	-	ns
SCK falling time	t <sub>F</sub>	SCKx		-	5	-	5	ns
SCK rising time	t <sub>R</sub>	SCKx		-	5	-	5	ns

**Notes:**

- The above characteristics apply to CLK synchronous mode.
- t<sub>CYCP</sub> indicates the APB bus clock cycle time.  
About the APB bus number which UART is connected to, see 8. Block Diagram in this data sheet.
- These characteristics only guarantee the same relocate port number.  
For example, the combination of SCKx\_0 and SOTx\_1 is not guaranteed.
- When the external load capacitance C<sub>L</sub> = 30 pF.





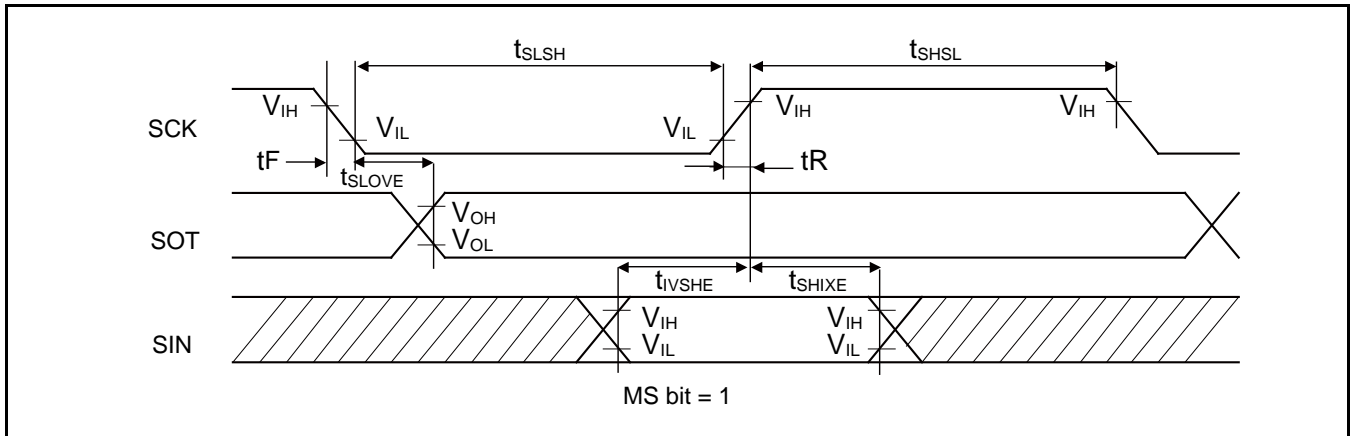
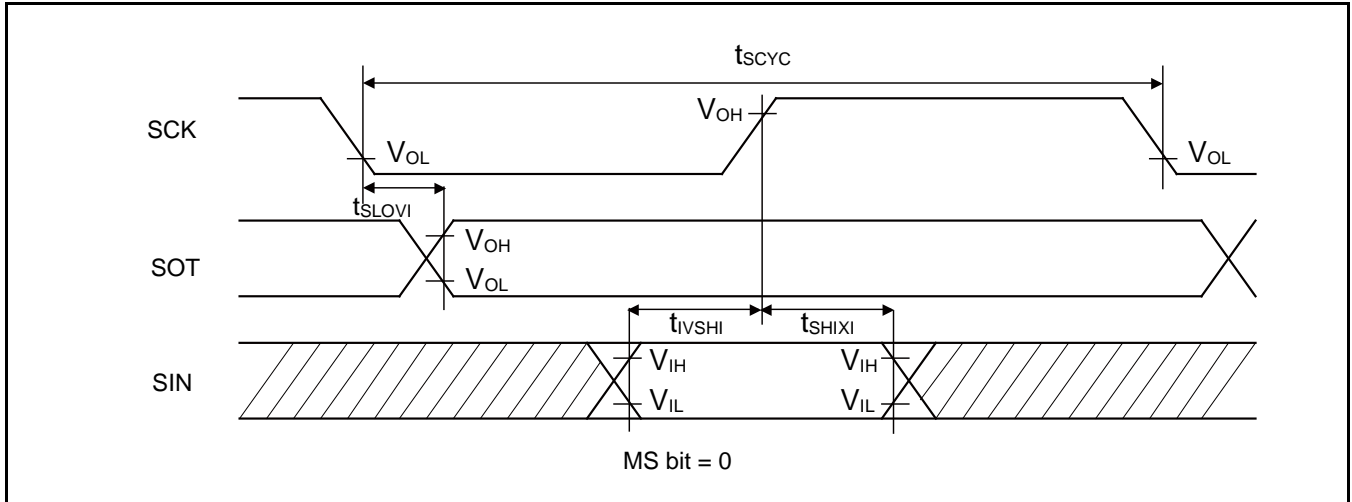
**High-Speed Synchronous Serial (SPI = 0, SCINV = 0)**

 (V<sub>CC</sub> = 2.7V to 5.5V, V<sub>SS</sub> = 0V)

Parameter	Symbol	Pin Name	Conditions	V <sub>CC</sub> < 4.5V		V <sub>CC</sub> ≥ 4.5V		Unit
				Min	Max	Min	Max	
Serial clock cycle time	t <sub>SCYC</sub>	SCKx	Internal shift clock operation	4t <sub>CYCP</sub>	-	4t <sub>CYCP</sub>	-	ns
SCK↓→SOT delay time	t <sub>SLOVI</sub>	SCKx, SOTx		-10	+10	-10	+10	ns
SIN→SCK↑ setup time	t <sub>IVSHI</sub>	SCKx, SINx		14	-	12.5	-	ns
				12.5*				
SCK↑→SIN hold time	t <sub>SHIXI</sub>	SCKx, SINx	5	-	5	-	ns	
Serial clock "L" pulse width	t <sub>SLSH</sub>	SCKx	External shift clock operation	2t <sub>CYCP</sub> - 5	-	2t <sub>CYCP</sub> - 5	-	ns
Serial clock "H" pulse width	t <sub>SHSL</sub>	SCKx		t <sub>CYCP</sub> + 10	-	t <sub>CYCP</sub> + 10	-	ns
SCK↓→SOT delay time	t <sub>SLOVE</sub>	SCKx, SOTx		-	15	-	15	ns
SIN→SCK↑ setup time	t <sub>IVSHE</sub>	SCKx, SINx		5	-	5	-	ns
SCK↑→SIN hold time	t <sub>SHIXE</sub>	SCKx, SINx		5	-	5	-	ns
SCK falling time	t <sub>F</sub>	SCKx		-	5	-	5	ns
SCK rising time	t <sub>R</sub>	SCKx		-	5	-	5	ns

**Notes:**

- The above characteristics apply to CLK synchronous mode.
- t<sub>CYCP</sub> indicates the APB bus clock cycle time.  
About the APB bus number which UART is connected to, see 8. Block Diagram in this data sheet.
- These characteristics only guarantee the following pins.
  - No chip select: SIN0\_1, SOT0\_1, SCK0\_1
  - Chip select: SIN6\_0, SOT6\_0, SCK6\_0, SCS6\_0
- When the external load capacitance C<sub>L</sub> = 30 pF. (For \*, when C<sub>L</sub> = 10 pF)



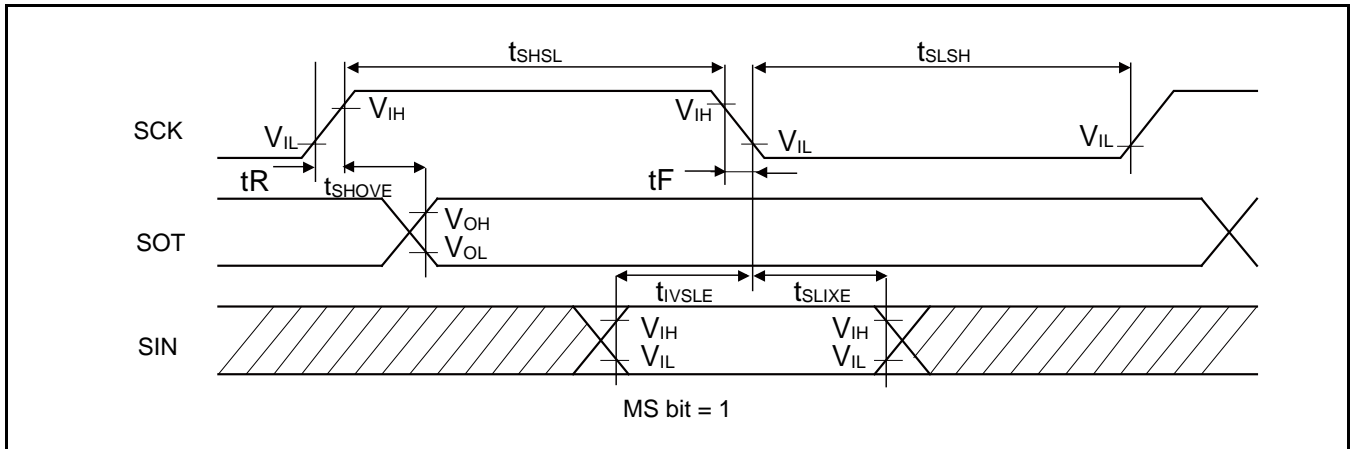
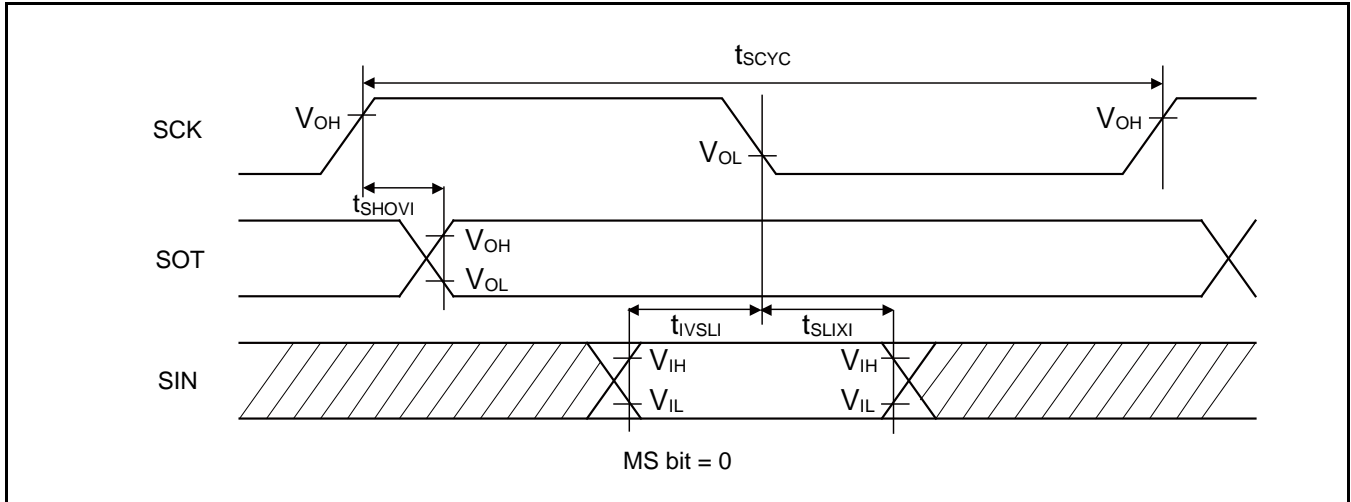
**High-Speed Synchronous Serial (SPI = 0, SCINV = 1)**

 (V<sub>CC</sub> = 2.7V to 5.5V, V<sub>SS</sub> = 0V)

Parameter	Symbol	Pin Name	Conditions	V <sub>CC</sub> < 4.5 V		V <sub>CC</sub> ≥ 4.5 V		Unit
				Min	Max	Min	Max	
Serial clock cycle time	t <sub>SCYC</sub>	SCKx	Internal shift clock operation	4t <sub>CYCP</sub>	-	4t <sub>CYCP</sub>	-	ns
SCK ↑ → SOT delay time	t <sub>SHOVI</sub>	SCKx, SOTx		-10	+10	-10	+10	ns
SIN → SCK ↓ setup time	t <sub>IVSLI</sub>	SCKx, SINx		14	-	12.5	-	ns
				12.5*				
SCK ↓ → SIN hold time	t <sub>SLIXI</sub>	SCKx, SINx	5	-	5	-	ns	
Serial clock "L" pulse width	t <sub>LSLH</sub>	SCKx	External shift clock operation	2t <sub>CYCP</sub> - 5	-	2t <sub>CYCP</sub> - 5	-	ns
Serial clock "H" pulse width	t <sub>SHSL</sub>	SCKx		t <sub>CYCP</sub> + 10	-	t <sub>CYCP</sub> + 10	-	ns
SCK ↑ → SOT delay time	t <sub>SHOVE</sub>	SCKx, SOTx		-	15	-	15	ns
SIN → SCK ↓ setup time	t <sub>IVSLE</sub>	SCKx, SINx		5	-	5	-	ns
SCK ↓ → SIN hold time	t <sub>SLIXE</sub>	SCKx, SINx		5	-	5	-	ns
SCK falling time	t <sub>F</sub>	SCKx		-	5	-	5	ns
SCK rising time	t <sub>R</sub>	SCKx		-	5	-	5	ns

**Notes:**

- The above characteristics apply to CLK synchronous mode.
- t<sub>CYCP</sub> indicates the APB bus clock cycle time.  
About the APB bus number which UART is connected to, see 8. Block Diagram in this data sheet.
- These characteristics only guarantee the following pins.
  - No chip select: SIN0\_1, SOT0\_1, SCK0\_1
  - Chip select: SIN6\_0, SOT6\_0, SCK6\_0, SCS6\_0
- When the external load capacitance C<sub>L</sub> = 30 pF. (For \*, when C<sub>L</sub> = 10 pF)

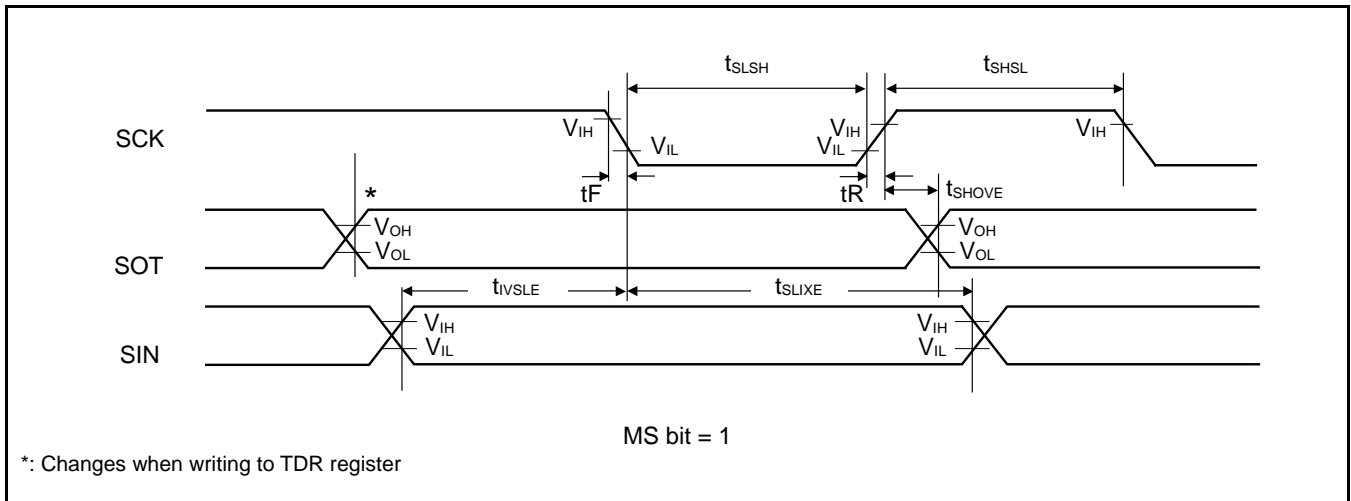
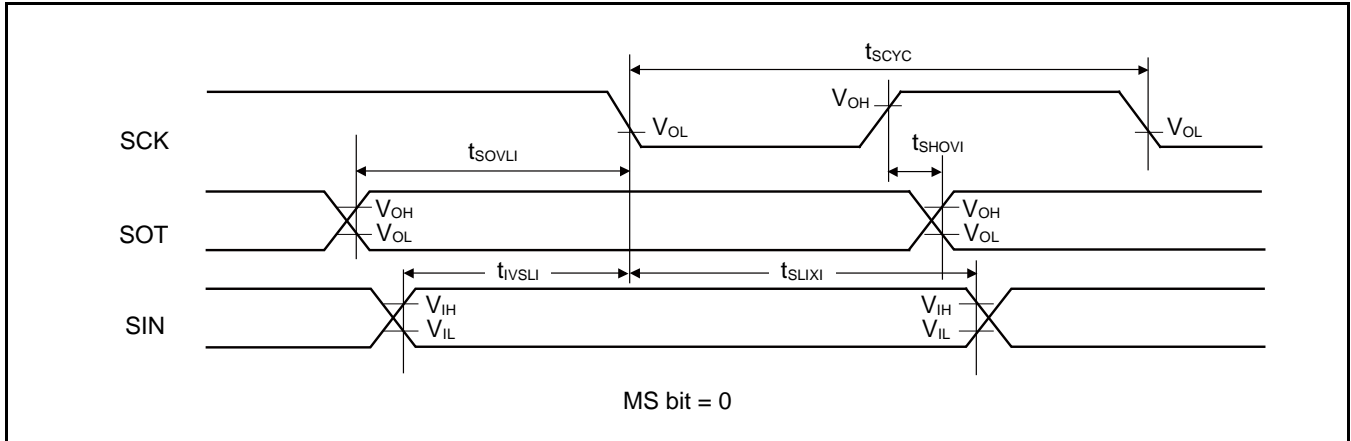


**High-Speed Synchronous Serial (SPI = 1, SCINV = 0)**
 $(V_{CC} = 2.7V \text{ to } 5.5V, V_{SS} = 0V)$ 

Parameter	Symbol	Pin Name	Conditions	$V_{CC} < 4.5 V$		$V_{CC} \geq 4.5 V$		Unit
				Min	Max	Min	Max	
Serial clock cycle time	$t_{SCYC}$	SCKx	Internal shift clock operation	$4t_{CYCP}$	-	$4t_{CYCP}$	-	ns
SCK $\uparrow$ →SOT delay time	$t_{SHOVI}$	SCKx, SOTx		-10	+10	-10	+10	ns
SIN→SCK $\downarrow$ setup time	$t_{IVSLI}$	SCKx, SINx		14	-	12.5	-	ns
				12.5*				
SCK $\downarrow$ →SIN hold time	$t_{SLIXI}$	SCKx, SINx		5	-	5	-	ns
SOT→SCK $\downarrow$ delay time	$t_{SOVLI}$	SCKx, SOTx		$2t_{CYCP} - 10$	-	$2t_{CYCP} - 10$	-	ns
Serial clock "L" pulse width	$t_{SLSH}$	SCKx	External shift clock operation	$2t_{CYCP} - 5$	-	$2t_{CYCP} - 5$	-	ns
Serial clock "H" pulse width	$t_{SHSL}$	SCKx		$t_{CYCP} + 10$	-	$t_{CYCP} + 10$	-	ns
SCK $\uparrow$ →SOT delay time	$t_{SHOVE}$	SCKx, SOTx		-	15	-	15	ns
SIN→SCK $\downarrow$ setup time	$t_{IVSLE}$	SCKx, SINx		5	-	5	-	ns
SCK $\downarrow$ →SIN hold time	$t_{SLIXE}$	SCKx, SINx		5	-	5	-	ns
SCK falling time	tF	SCKx		-	5	-	5	ns
SCK rising time	tR	SCKx		-	5	-	5	ns

**Notes:**

- The above characteristics apply to CLK synchronous mode.
- $t_{CYCP}$  indicates the APB bus clock cycle time.  
About the APB bus number which UART is connected to, see 8. Block Diagram in this data sheet.
- These characteristics only guarantee the following pins.
  - No chip select: SIN0\_1, SOT0\_1, SCK0\_1
  - Chip select: SIN6\_0, SOT6\_0, SCK6\_0, SCS6\_0
- When the external load capacitance  $C_L = 30 \text{ pF}$ . (For \*, when  $C_L = 10 \text{ pF}$ )



**High-Speed Synchronous Serial (SPI = 1, SCINV = 1)**

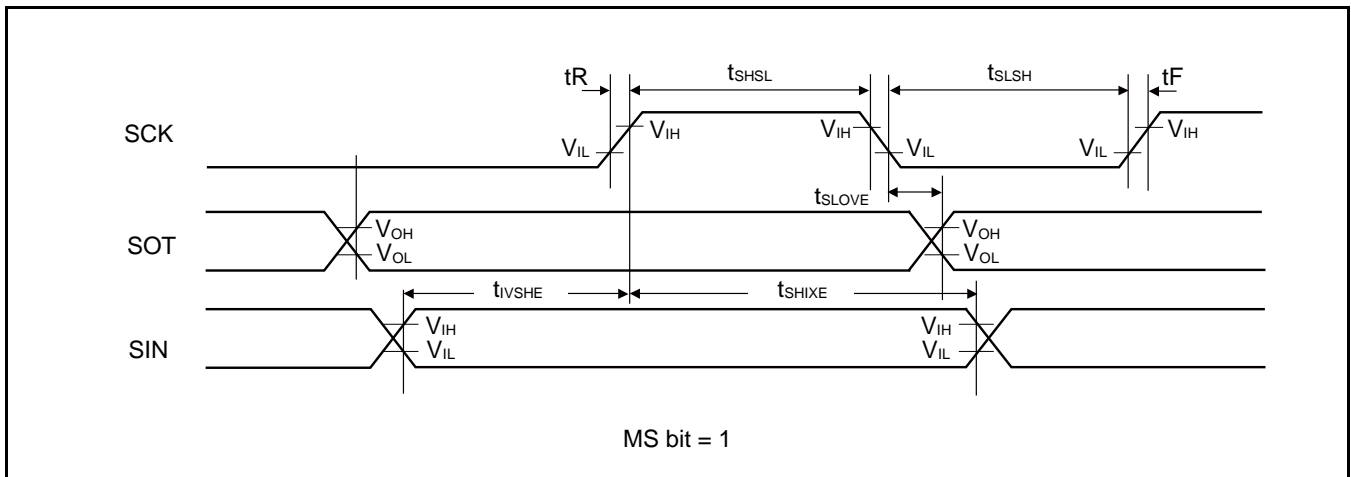
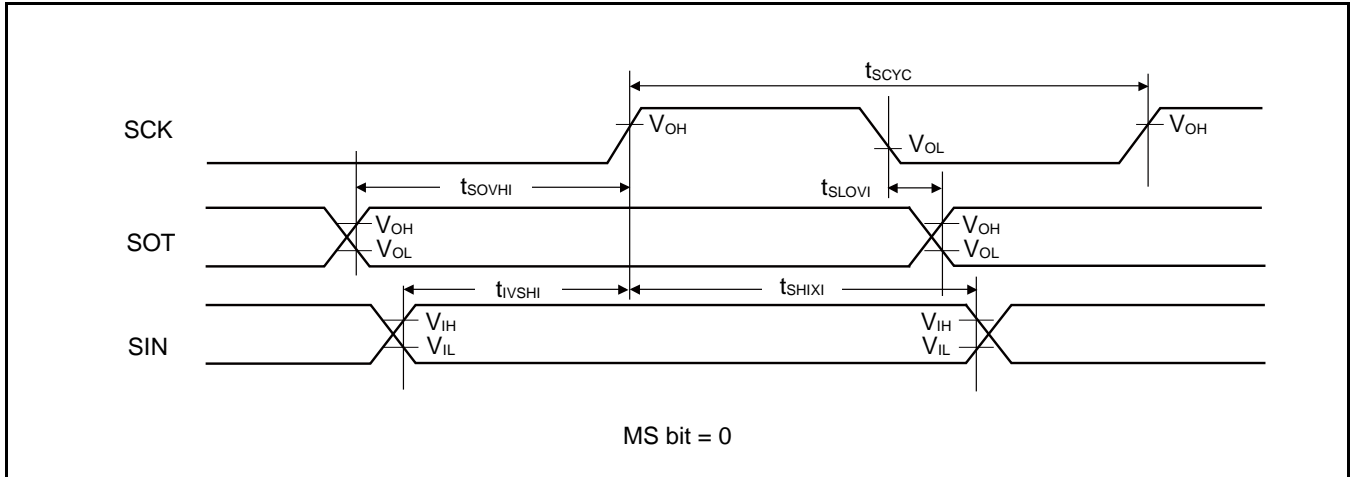
 (V<sub>CC</sub> = 2.7V to 5.5V, V<sub>SS</sub> = 0V)

Parameter	Symbol	Pin Name	Conditions	V <sub>CC</sub> < 4.5 V		V <sub>CC</sub> ≥ 4.5 V		Unit
				Min	Max	Min	Max	
Internal shift clock operation	t <sub>SCYC</sub>	SCKx	Internal shift clock operation	4t <sub>CYCP</sub>	-	4t <sub>CYCP</sub>	-	ns
SCK ↓ → SOT delay time	t <sub>SLOVI</sub>	SCKx, SOTx		-10	+10	-10	+10	ns
SIN → SCK ↑ setup time	t <sub>IVSHI</sub>	SCKx, SINx		14	-	12.5	-	ns
				12.5*				
SCK ↑ → SIN hold time	t <sub>SHIXI</sub>	SCKx, SINx		5	-	5	-	ns
SOT → SCK ↑ delay time	t <sub>SOVHI</sub>	SCKx, SOTx		2t <sub>CYCP</sub> - 10	-	2t <sub>CYCP</sub> - 10	-	ns
Serial clock "L" pulse width	t <sub>SLSH</sub>	SCKx	External shift clock operation	2t <sub>CYCP</sub> - 5	-	2t <sub>CYCP</sub> - 5	-	ns
Serial clock "H" pulse width	t <sub>SHSL</sub>	SCKx		t <sub>CYCP</sub> + 10	-	t <sub>CYCP</sub> + 10	-	ns
SCK ↓ → SOT delay time	t <sub>SLOVE</sub>	SCKx, SOTx		-	15	-	15	ns
SIN → SCK ↑ setup time	t <sub>IVSHE</sub>	SCKx, SINx		5	-	5	-	ns
SCK ↑ → SIN hold time	t <sub>SHIXE</sub>	SCKx, SINx		5	-	5	-	ns
SCK falling time	t <sub>F</sub>	SCKx		-	5	-	5	ns
SCK rising time	t <sub>R</sub>	SCKx		-	5	-	5	ns

**Notes:**

- The above characteristics apply to CLK synchronous mode.
- t<sub>CYCP</sub> indicates the APB bus clock cycle time.  
About the APB bus number which UART is connected to, see 8. Block Diagram in this data sheet.
- These characteristics only guarantee the following pins.
  - No chip select: SIN0\_1, SOT0\_1, SCK0\_1
  - Chip select: SIN6\_0, SOT6\_0, SCK6\_0, SCS6\_0
- When the external load capacitance C<sub>L</sub> = 30 pF. (For \*, when C<sub>L</sub> = 10 pF)





**When Using High-Speed Synchronous Serial Chip Select (SCINV = 0, CSLVL=1)**

 (V<sub>CC</sub> = 2.7V to 5.5V, V<sub>SS</sub> = 0V)

Parameter	Symbol	Conditions	V <sub>CC</sub> < 4.5 V		V <sub>CC</sub> ≥ 4.5 V		Unit
			Min	Max	Min	Max	
SCS↓→SCK↓setup time	t <sub>CSSI</sub>	Internal shift clock operation	(*1)-20	(*1)+0	(*1)-20	(*1)+0	ns
SCK↑→SCS↑ hold time	t <sub>CSDI</sub>		(*2)+0	(*2)+20	(*2)+0	(*2)+20	ns
SCS deselect time	t <sub>CSDI</sub>		(*3)-20+5t <sub>CYCP</sub>	(*3)+20+5t <sub>CYCP</sub>	(*3)-20+5t <sub>CYCP</sub>	(*3)+20+5t <sub>CYCP</sub>	ns
SCS↓→SCK↓setup time	t <sub>CSSE</sub>	External shift clock operation	3t <sub>CYCP</sub> +15	-	3t <sub>CYCP</sub> +15	-	ns
SCK↑→SCS↑ hold time	t <sub>CSHE</sub>		0	-	0	-	ns
SCS deselect time	t <sub>CSDE</sub>		3t <sub>CYCP</sub> +15	-	3t <sub>CYCP</sub> +15	-	ns
SCS↓→SOT delay time	t <sub>DSE</sub>		-	25	-	25	ns
SCS↑→SOT delay time	t <sub>DEE</sub>		0	-	0	-	ns

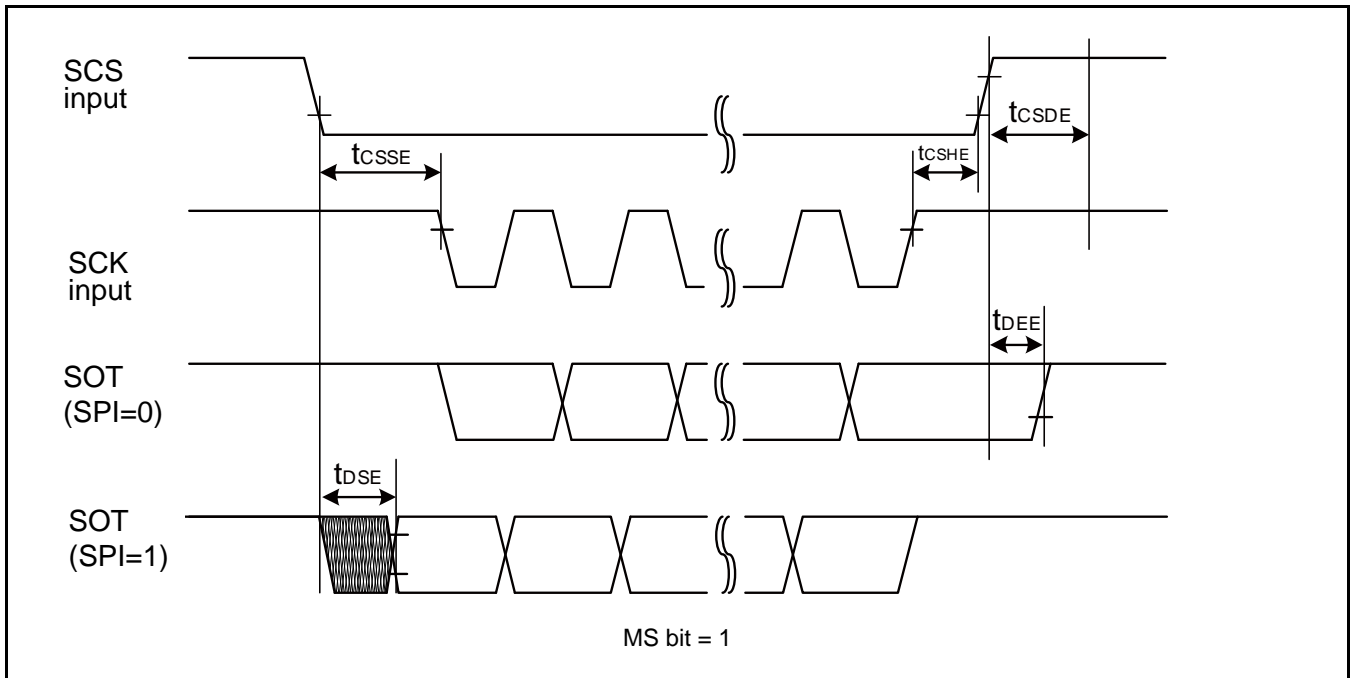
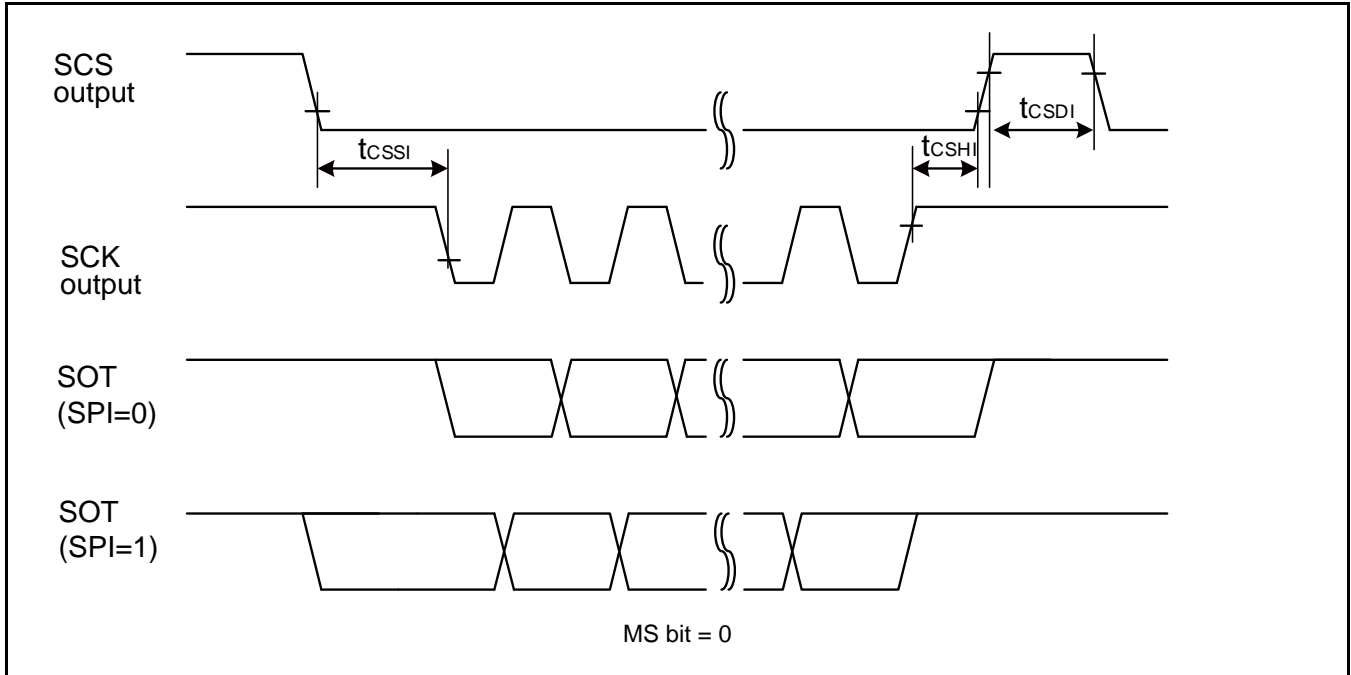
(\*1): CSSU bit value × serial chip select timing operating clock cycle [ns]

(\*2): CSHD bit value × serial chip select timing operating clock cycle [ns]

(\*3): CSDS bit value × serial chip select timing operating clock cycle [ns]

**Notes:**

- t<sub>CYCP</sub> indicates the APB bus clock cycle time.  
About the APB bus number which UART is connected to, see 8. Block Diagram in this data sheet.
- About CSSU, CSHD, CSDS, serial chip select timing operating clock, see FM4 Family Peripheral Manual.
- When the external load capacitance C<sub>L</sub> = 30 pF.



**When Using High-Speed Synchronous Serial Chip Select (SCINV = 1, CSLVL=1)**

 (V<sub>CC</sub> = 2.7V to 5.5V, V<sub>SS</sub> = 0V)

Parameter	Symbol	Conditions	V <sub>CC</sub> < 4.5 V		V <sub>CC</sub> ≥ 4.5 V		Unit
			Min	Max	Min	Max	
SCS↓→SCK↑setup time	t <sub>CSSI</sub>	Internal shift clock operation	(*1)-20	(*1)+0	(*1)-20	(*1)+0	ns
SCK↓→SCS↑ hold time	t <sub>CShI</sub>		(*2)+0	(*2)+20	(*2)+0	(*2)+20	ns
SCS deselect time	t <sub>CSDI</sub>		(*3)-20+5t <sub>CYCP</sub>	(*3)+20+5t <sub>CYCP</sub>	(*3)-20+5t <sub>CYCP</sub>	(*3)+20+5t <sub>CYCP</sub>	ns
SCS↓→SCK↑setup time	t <sub>CSSe</sub>	External shift clock operation	3t <sub>CYCP</sub> +15	-	3t <sub>CYCP</sub> +15	-	ns
SCK↓→SCS↑ hold time	t <sub>CShE</sub>		0	-	0	-	ns
SCS deselect time	t <sub>CSDe</sub>		3t <sub>CYCP</sub> +15	-	3t <sub>CYCP</sub> +15	-	ns
SCS↓→SOT delay time	t <sub>DSE</sub>		-	25	-	25	ns
SCS↑→SOT delay time	t <sub>DEE</sub>		0	-	0	-	ns

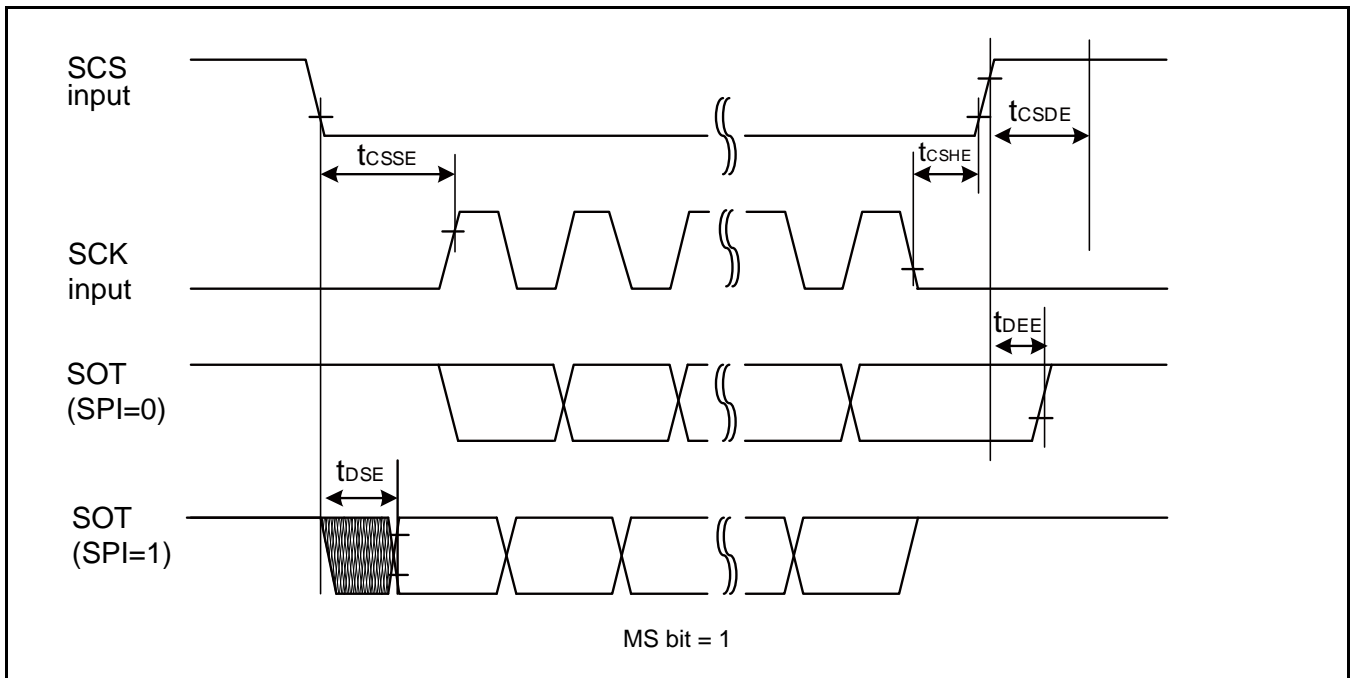
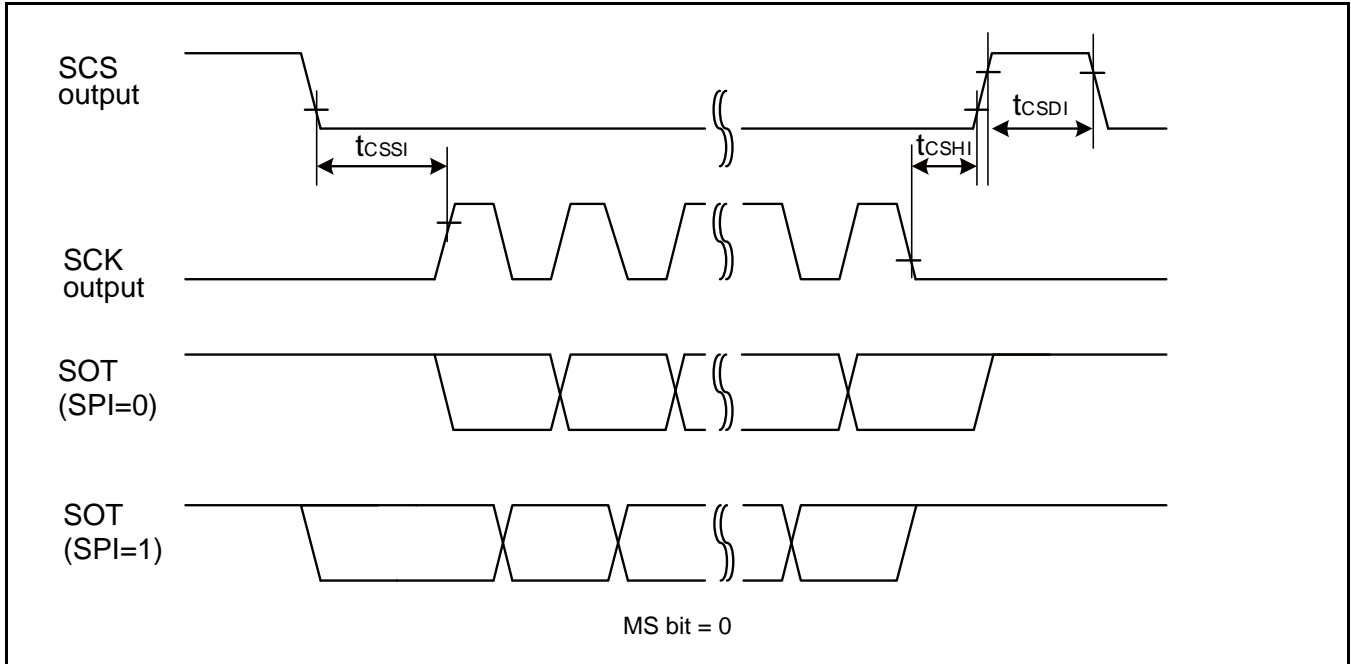
(\*1): CSSU bit value × serial chip select timing operating clock cycle [ns]

(\*2): CSHD bit value × serial chip select timing operating clock cycle [ns]

(\*3): CSDS bit value × serial chip select timing operating clock cycle [ns]

**Notes:**

- t<sub>CYCP</sub> indicates the APB bus clock cycle time.  
About the APB bus number which UART is connected to, see 8. Block Diagram in this data sheet.
- About CSSU, CSHD, CSDS, serial chip select timing operating clock, see FM4 Family Peripheral Manual Main part (002-04856).
- When the external load capacitance C<sub>L</sub> = 30 pF.



**When Using High-Speed Synchronous Serial Chip Select (SCINV = 0, CSLVL=0)**

 (V<sub>CC</sub> = 2.7V to 5.5V, V<sub>SS</sub> = 0V)

Parameter	Symbol	Conditions	V <sub>CC</sub> < 4.5 V		V <sub>CC</sub> ≥ 4.5 V		Unit
			Min	Max	Min	Max	
SCS↑→SCK↓setup time	t <sub>CSSI</sub>	Internal shift clock operation	(*1)-20	(*1)+0	(*1)-20	(*1)+0	ns
SCK↑→SCS↓ hold time	t <sub>CSDI</sub>		(*2)+0	(*2)+20	(*2)+0	(*2)+20	ns
SCS deselect time	t <sub>CSDI</sub>		(*3)-20+5t <sub>CYCP</sub>	(*3)+20+5t <sub>CYCP</sub>	(*3)-20+5t <sub>CYCP</sub>	(*3)+20+5t <sub>CYCP</sub>	ns
SCS↑→SCK↓setup time	t <sub>CSSE</sub>	External shift clock operation	3t <sub>CYCP</sub> +15	-	3t <sub>CYCP</sub> +15	-	ns
SCK↑→SCS↓ hold time	t <sub>CSHE</sub>		0	-	0	-	ns
SCS deselect time	t <sub>CSDE</sub>		3t <sub>CYCP</sub> +15	-	3t <sub>CYCP</sub> +15	-	ns
SCS↑→SOT delay time	t <sub>DSE</sub>		-	25	-	25	ns
SCS↓→SOT delay time	t <sub>DEE</sub>		0	-	0	-	ns

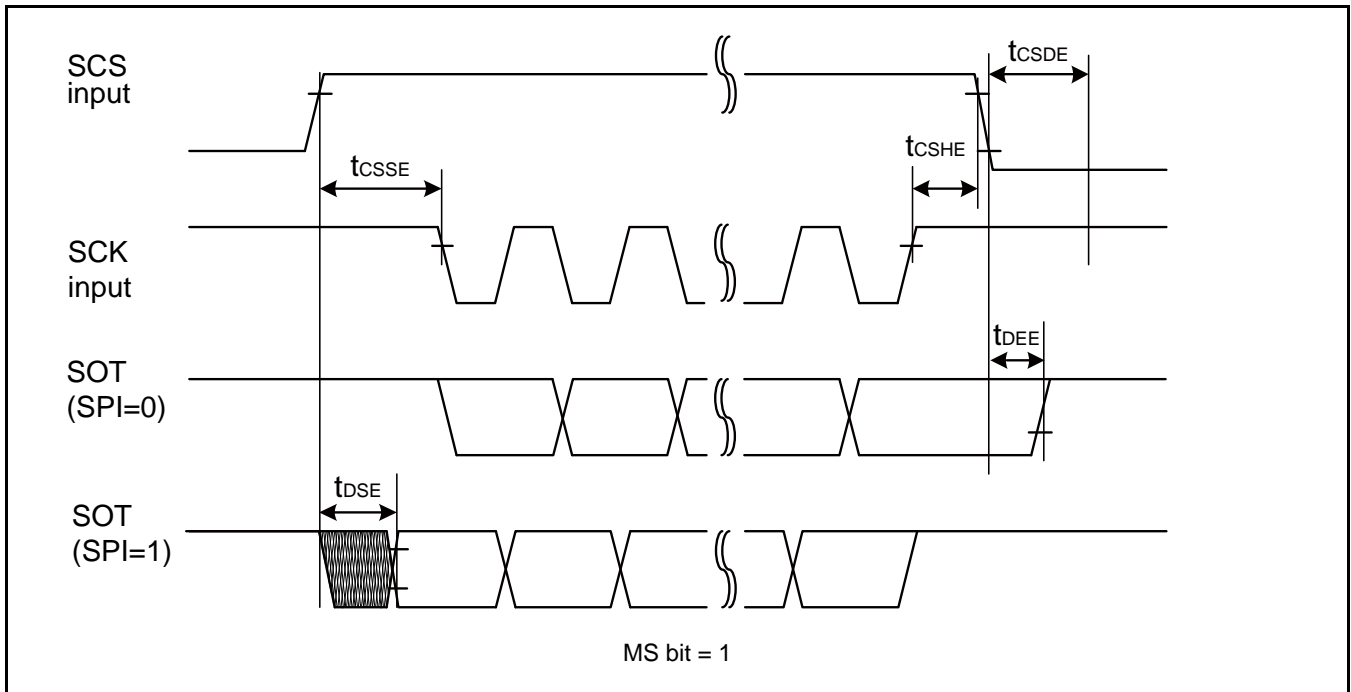
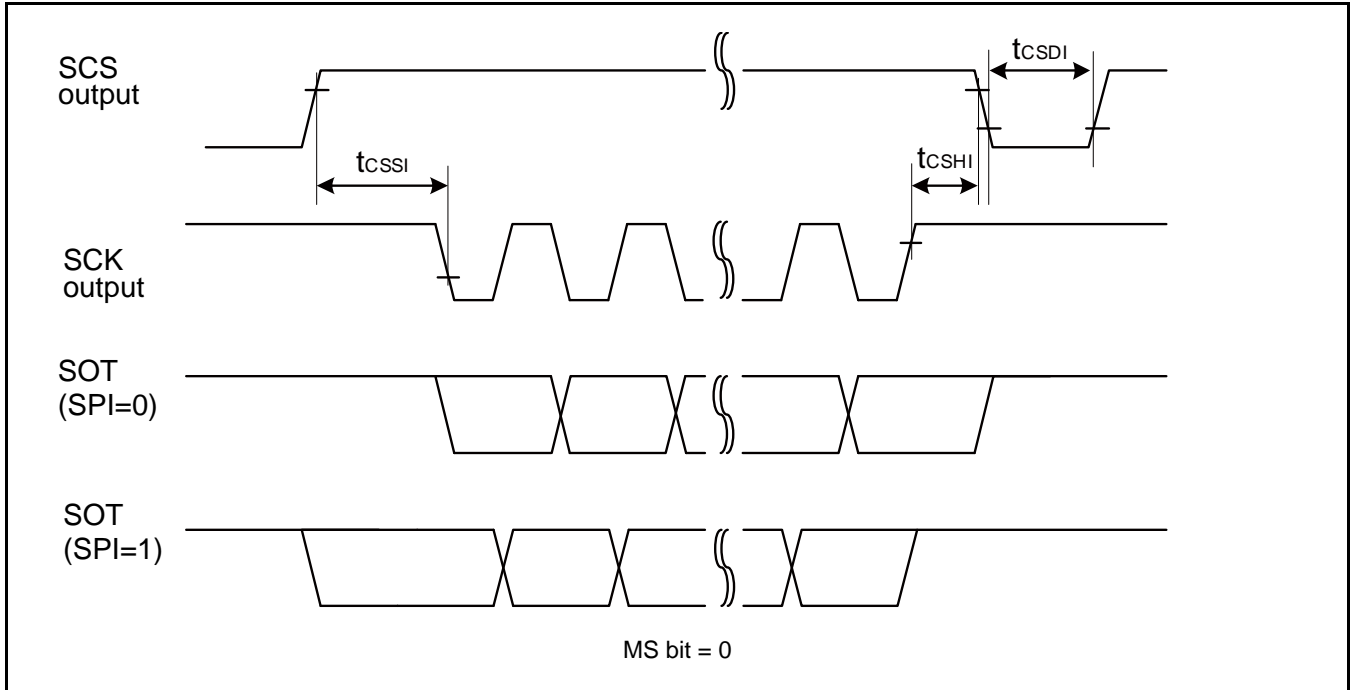
(\*1): CSSU bit value × serial chip select timing operating clock cycle [ns]

(\*2): CSHD bit value × serial chip select timing operating clock cycle [ns]

(\*3): CSDS bit value × serial chip select timing operating clock cycle [ns]

**Notes:**

- t<sub>CYCP</sub> indicates the APB bus clock cycle time.  
About the APB bus number which UART is connected to, see 8. Block Diagram in this data sheet.
- About CSSU, CSHD, CSDS, serial chip select timing operating clock, see FM4 Family Peripheral Manual Main part (002-04856).
- When the external load capacitance C<sub>L</sub> = 30 pF.



**When Using High-Speed Synchronous Serial Chip Select (SCINV = 1, CSLVL=0)**

 (V<sub>CC</sub> = 2.7V to 5.5V, V<sub>SS</sub> = 0V)

Parameter	Symbol	Conditions	V <sub>CC</sub> < 4.5 V		V <sub>CC</sub> ≥ 4.5 V		Unit
			Min	Max	Min	Max	
SCS↑→SCK↑setup time	t <sub>CSSI</sub>	Internal shift clock operation	(*1)-20	(*1)+0	(*1)-20	(*1)+0	ns
SCK↓→SCS↓ hold time	t <sub>CSDI</sub>		(*2)+0	(*2)+20	(*2)+0	(*2)+20	ns
SCS deselect time	t <sub>CSDI</sub>		(*3)-20+5t <sub>CYCP</sub>	(*3)+20+5t <sub>CYCP</sub>	(*3)-20+5t <sub>CYCP</sub>	(*3)+20+5t <sub>CYCP</sub>	ns
SCS↑→SCK↑setup time	t <sub>CSSE</sub>	External shift clock operation	3t <sub>CYCP</sub> +15	-	3t <sub>CYCP</sub> +15	-	ns
SCK↓→SCS↓ hold time	t <sub>CSHE</sub>		0	-	0	-	ns
SCS deselect time	t <sub>CSDI</sub>		3t <sub>CYCP</sub> +15	-	3t <sub>CYCP</sub> +15	-	ns
SCS↑→SOT delay time	t <sub>DSE</sub>		-	25	-	25	ns
SCS↓→SOT delay time	t <sub>DEE</sub>		0	-	0	-	ns

(\*1): CSSU bit value × serial chip select timing operating clock cycle [ns]

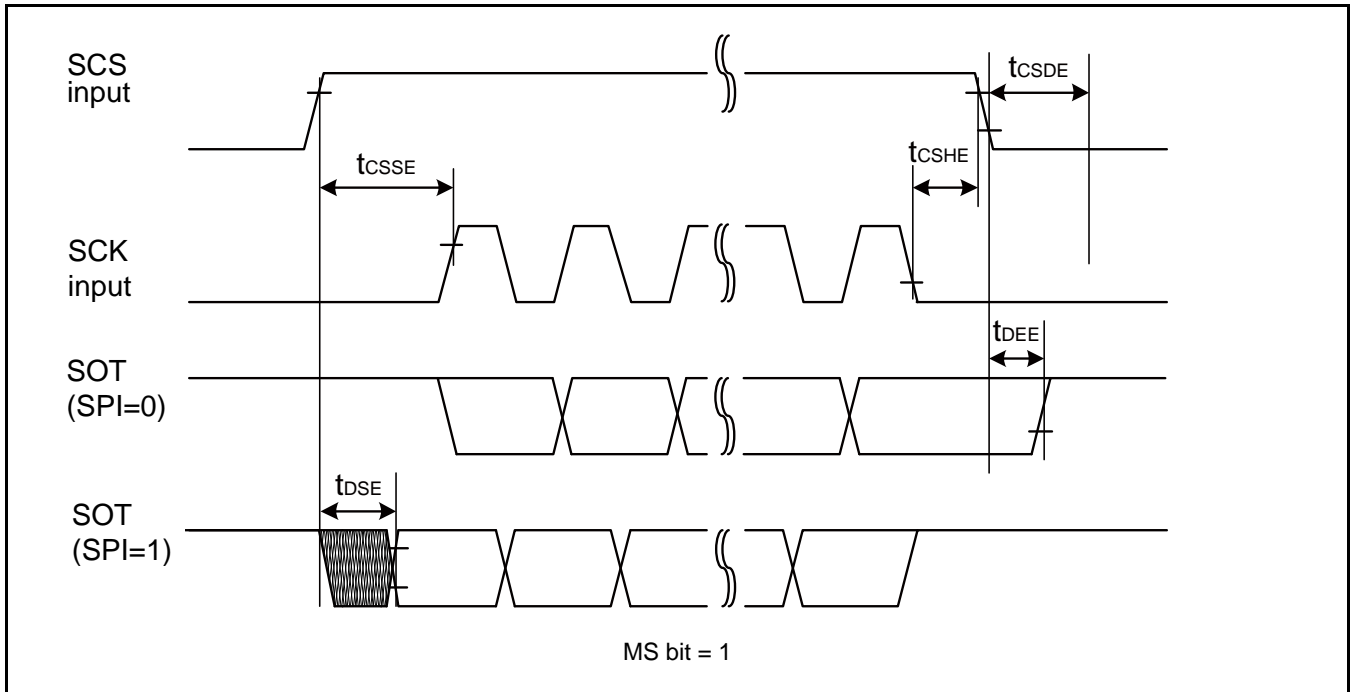
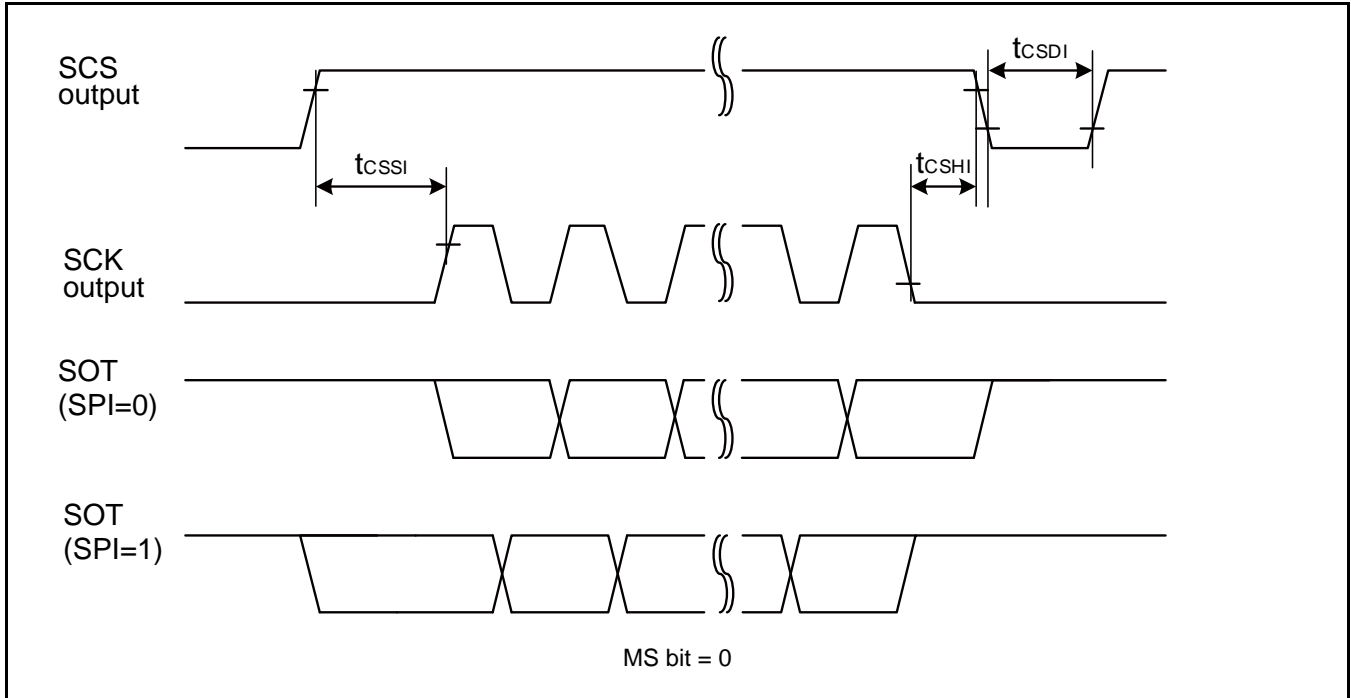
(\*2): CSHD bit value × serial chip select timing operating clock cycle [ns]

(\*3): CSDS bit value × serial chip select timing operating clock cycle [ns]

**Notes:**

- t<sub>CYCP</sub> indicates the APB bus clock cycle time.  
About the APB bus number which UART is connected to, see 8. Block Diagram in this data sheet.
- About CSSU, CSHD, CSDS, serial chip select timing operating clock, see FM4 Family Peripheral Manual Main part (002-04856).
- When the external load capacitance C<sub>L</sub> = 30 pF.

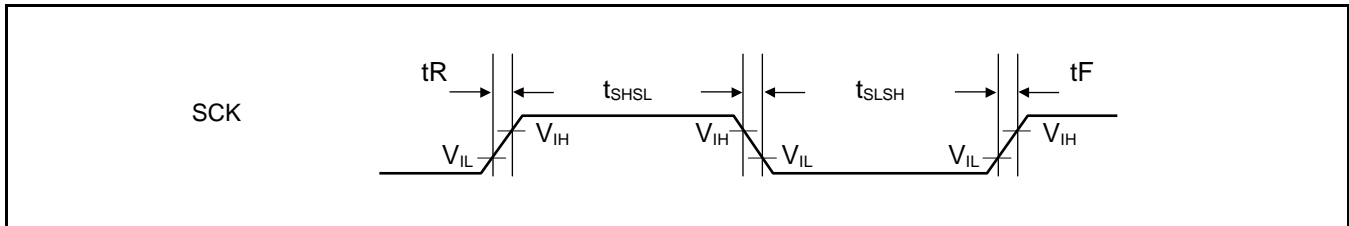




**External Clock (EXT = 1): when in Asynchronous Mode Only**

 (V<sub>CC</sub> = 2.7V to 5.5V, V<sub>SS</sub> = 0V)

Parameter	Symbol	Condition	Value		Unit	Remarks
			Min	Max		
Serial clock "L" pulse width	t <sub>SLSH</sub>	C <sub>L</sub> = 30 pF	t <sub>CYCP</sub> + 10	-	ns	
Serial clock "H" pulse width	t <sub>SHSL</sub>		t <sub>CYCP</sub> + 10	-	ns	
SCK falling time	t <sub>F</sub>		-	5	ns	
SCK rising time	t <sub>R</sub>		-	5	ns	



**12.4.11 External Input Timing**

 (V<sub>CC</sub> = 2.7V to 5.5V, V<sub>SS</sub> = 0V)

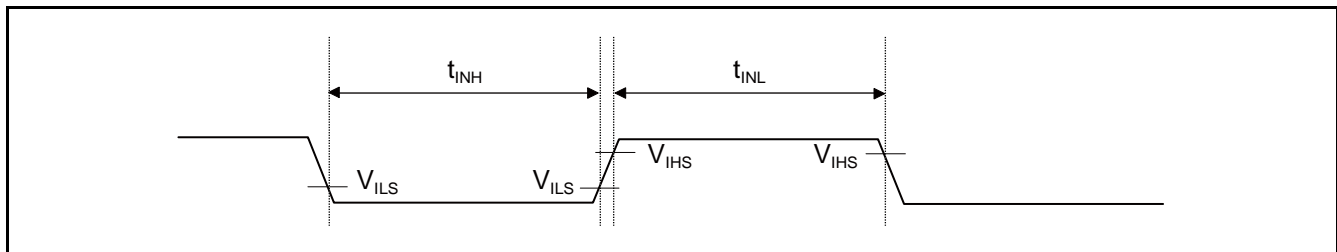
Parameter	Symbol	Pin Name	Conditions	Value		Unit	Remarks
				Min	Max		
Input pulse width	t <sub>INH</sub> , t <sub>INL</sub>	ADTG	-	2t <sub>CYCP</sub> <sup>*1</sup>	-	ns	A/D converter trigger input
		FRCKx					Free-run timer input clock
		ICxx					Input capture
		DTTiXx	-	2t <sub>CYCP</sub> <sup>*1</sup>	-	ns	Waveform generator
		INT00 to INT31, NMIX	-	2t <sub>CYCP</sub> + 100 <sup>*1</sup>	-	ns	External interrupt, NMI
				500 <sup>*2</sup>	-	ns	
WKUPx	-	500 <sup>*3</sup>	-	ns	Deep standby wake up		

\*1: t<sub>CYCP</sub> indicates the APB bus clock cycle time except stop when in Stop mode, in timer mode.

About the APB bus number which the A/D converter, multi-function timer, external interrupt are connected to, see 8. Block Diagram in this data sheet.

\*2: When in Stop mode, in timer mode.

\*3: When in deep standby RTC mode, in Deep Standby Stop mode.



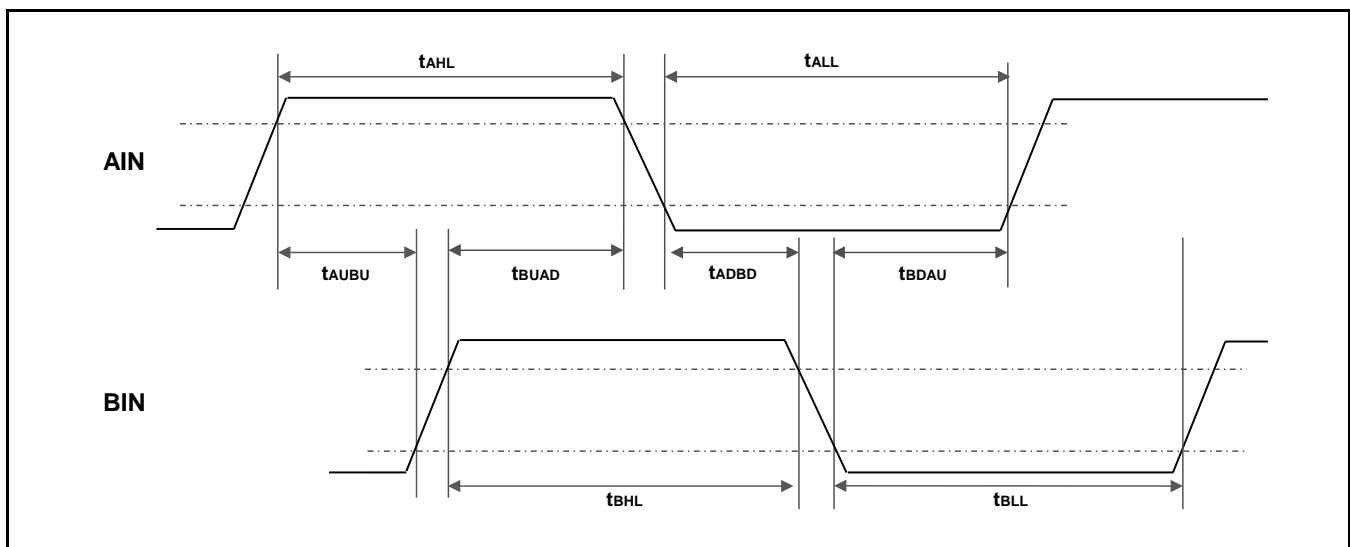
## 12.4.12 Quadrature Position/Revolution Counter Timing

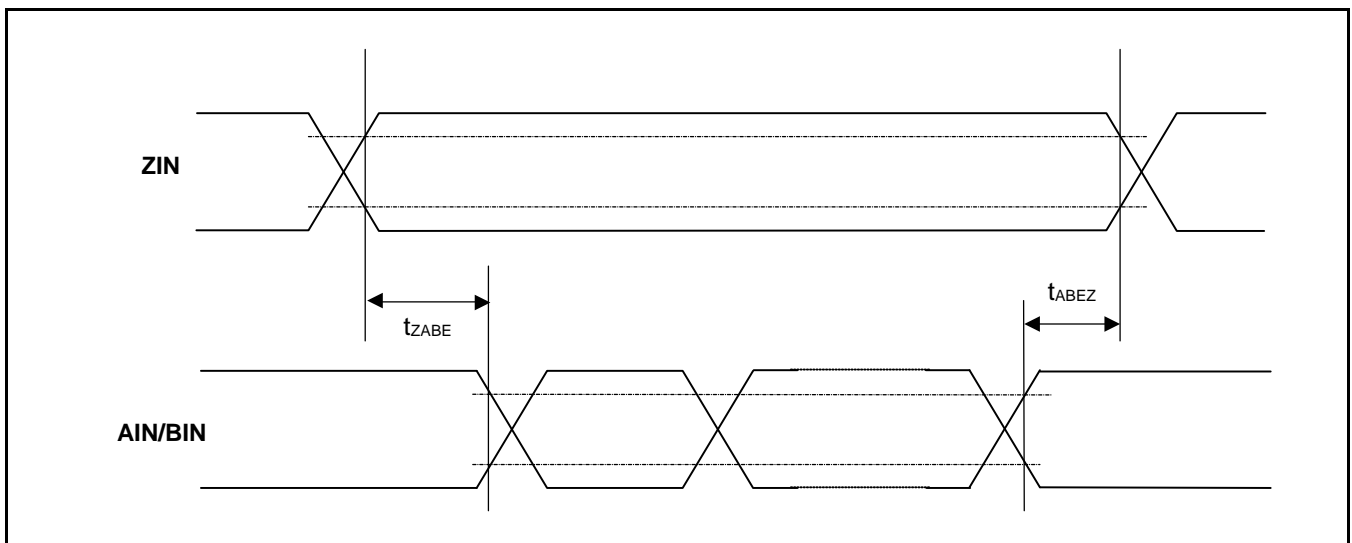
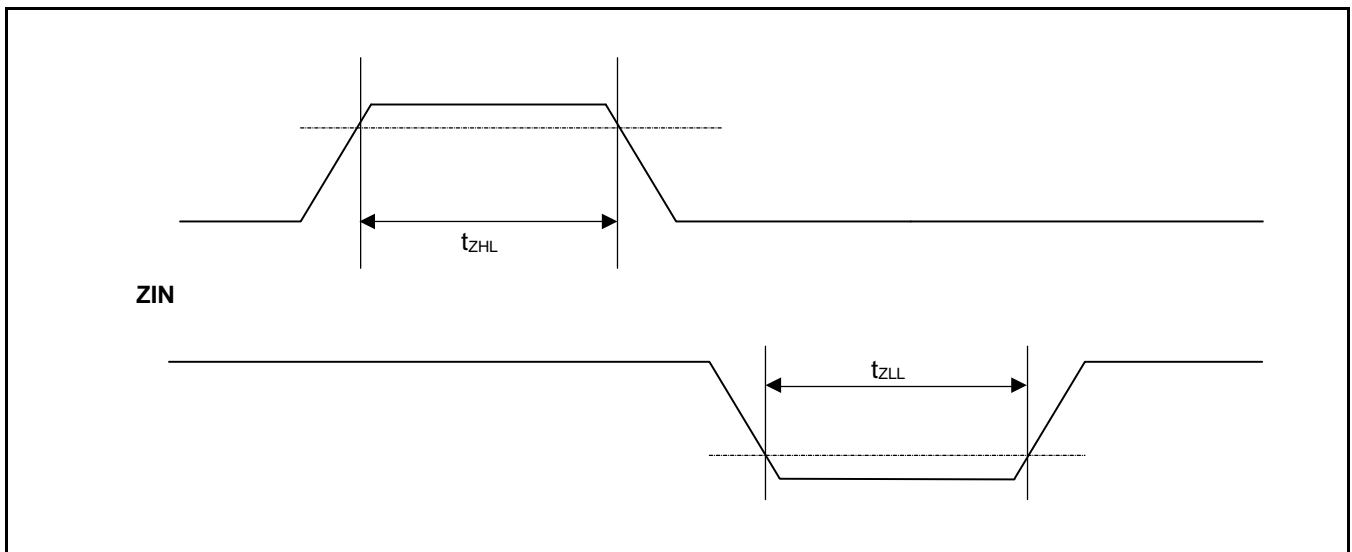
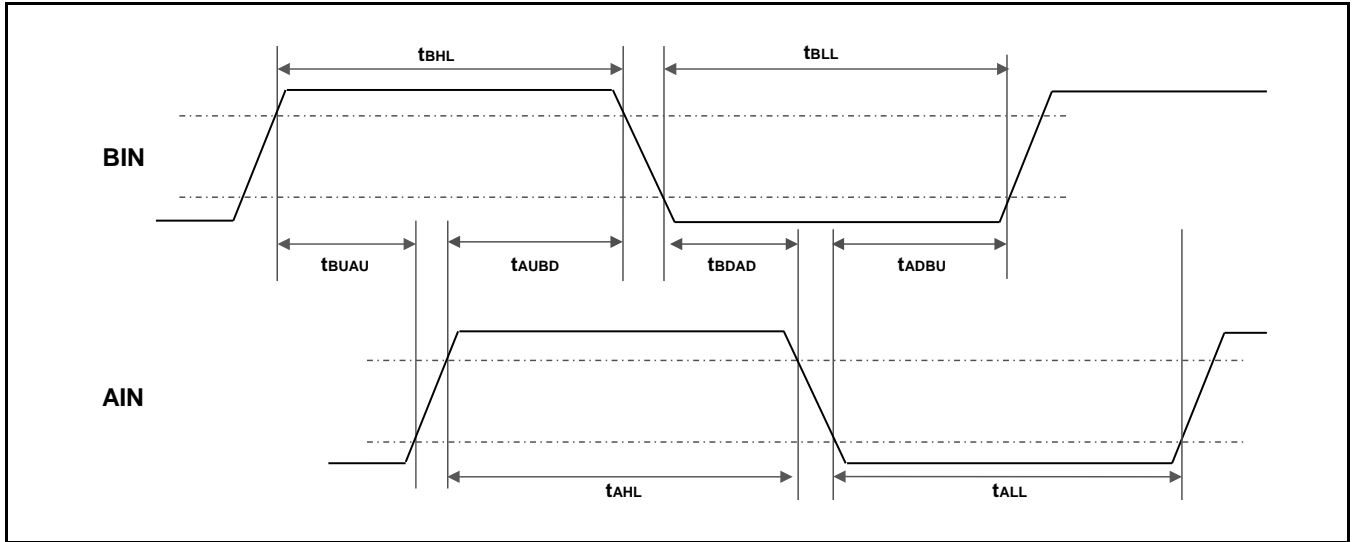
( $V_{CC} = 2.7V$  to  $5.5V$ ,  $V_{SS} = 0V$ )

Parameter	Symbol	Conditions	Value		Unit
			Min	Max	
AIN pin H width	$t_{AHL}$	-	$2t_{CYCP}^*$	-	ns
AIN pin L width	$t_{ALL}$	-			
BIN pin H width	$t_{BHL}$	-			
BIN pin L width	$t_{BLL}$	-			
BIN rising time from AIN pin H level	$t_{AUBU}$	PC_Mode2 or PC_Mode3			
AIN falling time from BIN pin H level	$t_{BUAD}$	PC_Mode2 or PC_Mode3			
BIN falling time from AIN pin L level	$t_{ADBD}$	PC_Mode2 or PC_Mode3			
AIN rising time from BIN pin L level	$t_{BDAU}$	PC_Mode2 or PC_Mode3			
AIN rising time from BIN pin H level	$t_{BUAU}$	PC_Mode2 or PC_Mode3			
BIN falling time from AIN pin H level	$t_{AUBD}$	PC_Mode2 or PC_Mode3			
AIN falling time from BIN pin L level	$t_{BDAD}$	PC_Mode2 or PC_Mode3			
BIN rising time from AIN pin L level	$t_{ADBU}$	PC_Mode2 or PC_Mode3			
ZIN pin H width	$t_{ZHL}$	QCR:CGSC = 0			
ZIN pin L width	$t_{ZLL}$	QCR:CGSC = 0			
AIN/BIN rising and falling time from determined ZIN level	$t_{ZABE}$	QCR:CGSC = 1			
Determined ZIN level from AIN/BIN rising and falling time	$t_{ABEZ}$	QCR:CGSC = 1			

\*:  $t_{CYCP}$  indicates the APB bus clock cycle time except stop when in Stop mode, in timer mode.

About the APB bus number which Quadrature Position/Revolution Counter is connected to, see 8. Block Diagram in this data sheet.





**12.4.13 I<sup>2</sup>C Timing**
**Standard-Mode, Fast-Mode**

 (V<sub>CC</sub> = 2.7V to 5.5V, V<sub>SS</sub> = 0V)

Parameter	Symbol	Conditions	Standard-Mode		Fast-Mode		Unit	Remarks
			Min	Max	Min	Max		
SCL clock frequency	F <sub>SCL</sub>	C <sub>L</sub> = 30 pF, R = (V <sub>p</sub> /I <sub>OL</sub> )* <sup>1</sup>	0	100	0	400	kHz	
(Repeated) START condition hold time SDA ↓ → SCL ↓	t <sub>HDSTA</sub>		4.0	-	0.6	-	μs	
SCL clock "L" width	t <sub>LOW</sub>		4.7	-	1.3	-	μs	
SCL clock "H" width	t <sub>HIGH</sub>		4.0	-	0.6	-	μs	
(Repeated) START condition setup time SCL ↑ → SDA ↓	t <sub>SUSTA</sub>		4.7	-	0.6	-	μs	
Data hold time SCL ↓ → SDA ↓ ↑	t <sub>HDDAT</sub>		0	3.45* <sup>2</sup>	0	0.9* <sup>3</sup>	μs	
Data setup time SDA ↓ ↑ → SCL ↑	t <sub>SUDAT</sub>		250	-	100	-	ns	
STOP condition setup time SCL ↑ → SDA ↑	t <sub>SUSTO</sub>		4.0	-	0.6	-	μs	
Bus free time between "STOP condition" and "START condition"	t <sub>BUF</sub>		4.7	-	1.3	-	μs	
Noise filter	t <sub>SP</sub>	2 MHz ≤ t <sub>CYCP</sub> < 40 MHz	2t <sub>CYCP</sub> * <sup>4</sup>	-	2t <sub>CYCP</sub> * <sup>4</sup>	-	ns	*5
		40 MHz ≤ t <sub>CYCP</sub> < 60 MHz	4t <sub>CYCP</sub> * <sup>4</sup>	-	4t <sub>CYCP</sub> * <sup>4</sup>	-	ns	
		60 MHz ≤ t <sub>CYCP</sub> < 80 MHz	6t <sub>CYCP</sub> * <sup>4</sup>	-	6t <sub>CYCP</sub> * <sup>4</sup>	-	ns	
		80 MHz ≤ t <sub>CYCP</sub> < 100 MHz	8t <sub>CYCP</sub> * <sup>4</sup>	-	8t <sub>CYCP</sub> * <sup>4</sup>	-	ns	
		100 MHz ≤ t <sub>CYCP</sub> < 120 MHz	10t <sub>CYCP</sub> * <sup>4</sup>	-	10t <sub>CYCP</sub> * <sup>4</sup>	-	ns	
		120 MHz ≤ t <sub>CYCP</sub> < 140 MHz	12t <sub>CYCP</sub> * <sup>4</sup>	-	12t <sub>CYCP</sub> * <sup>4</sup>	-	ns	
		140 MHz ≤ t <sub>CYCP</sub> < 160 MHz	14t <sub>CYCP</sub> * <sup>4</sup>	-	14t <sub>CYCP</sub> * <sup>4</sup>	-	ns	
		160 MHz ≤ t <sub>CYCP</sub> < 180 MHz	16t <sub>CYCP</sub> * <sup>4</sup>	-	16t <sub>CYCP</sub> * <sup>4</sup>	-	ns	

\*1: R and C<sub>L</sub> represent the pull-up resistance and load capacitance of the SCL and SDA lines, respectively. V<sub>p</sub> indicates the power supply voltage of the pull-up resistance and I<sub>OL</sub> indicates V<sub>OL</sub> guaranteed current.

\*2: The maximum t<sub>HDDAT</sub> must satisfy that it does not extend at least "L" period (t<sub>LOW</sub>) of device's SCL signal.

\*3: A Fast-mode I<sup>2</sup>C bus device can be used on a Standard-mode I<sup>2</sup>C bus system as long as the device satisfies the requirement of t<sub>SUDAT</sub> ≥ 250 ns.

\*4: t<sub>CYCP</sub> is the APB bus clock cycle time.

About the APB bus number that I<sup>2</sup>C is connected to, see "8. Block Diagram" in this data sheet.

\*5: The noise filter time can be changed by register settings.

Change the number of the noise filter steps according to APB bus clock frequency.

**Fast Mode Plus (Fm+)**

 (V<sub>CC</sub> = 2.7V to 5.5V, V<sub>SS</sub> = 0V)

Parameter	Symbol	Conditions	Fast Mode Plus (Fm+) <sup>*6</sup>		Unit	Remarks
			Min	Max		
SCL clock frequency	F <sub>SCL</sub>		0	1000	kHz	
(Repeated) START condition hold time SDA ↓ → SCL ↓	t <sub>HDSTA</sub>		0.26	-	μs	
SCL clock "L" width	t <sub>LOW</sub>		0.5	-	μs	
SCL clock "H" width	t <sub>HIGH</sub>		0.26	-	μs	
SCL clock frequency	t <sub>SUSTA</sub>		0.26	-	μs	
(Repeated) START condition hold time SDA ↓ → SCL ↓	t <sub>HDDAT</sub>	C <sub>L</sub> = 30 pF, R = (V <sub>p</sub> /I <sub>OL</sub> ) <sup>*1</sup>	0	0.45 <sup>*2, *3</sup>	μs	
Data setup time SDA ↓ ↑ → SCL ↑	t <sub>SUDAT</sub>		50	-	ns	
STOP condition setup time SCL ↑ → SDA ↑	t <sub>SUSTO</sub>		0.26	-	μs	
Bus free time between "STOP condition" and "START condition"	t <sub>BUF</sub>		0.5	-	μs	
Noise filter	t <sub>SP</sub>		60 MHz ≤ t <sub>CYCP</sub> < 80 MHz	6 t <sub>CYCP</sub> <sup>*4</sup>	-	ns
		80 MHz ≤ t <sub>CYCP</sub> < 100 MHz	8 t <sub>CYCP</sub> <sup>*4</sup>	-	ns	
		100 MHz ≤ t <sub>CYCP</sub> < 120 MHz	10 t <sub>CYCP</sub> <sup>*4</sup>	-	ns	
		120 MHz ≤ t <sub>CYCP</sub> < 140 MHz	12 t <sub>CYCP</sub> <sup>*4</sup>	-	ns	
		140 MHz ≤ t <sub>CYCP</sub> < 160 MHz	14 t <sub>CYCP</sub> <sup>*4</sup>	-	ns	
		160 MHz ≤ t <sub>CYCP</sub> < 180 MHz	16 t <sub>CYCP</sub> <sup>*4</sup>	-	ns	

\*1: R and C<sub>L</sub> represent the pull-up resistance and load capacitance of the SCL and SDA lines, respectively. V<sub>p</sub> indicates the power supply voltage of the pull-up resistance and I<sub>OL</sub> indicates V<sub>OL</sub> guaranteed current.

\*2: The maximum t<sub>HDDAT</sub> must satisfy that it does not extend at least L period (t<sub>LOW</sub>) of device's SCL signal.

\*3: A Fast-mode I<sup>2</sup>C bus device can be used on a Standard-mode I<sup>2</sup>C bus system as long as the device satisfies the requirement of "t<sub>SUDAT</sub> ≥ 250 ns".

\*4: t<sub>CYCP</sub> is the APB bus clock cycle time.

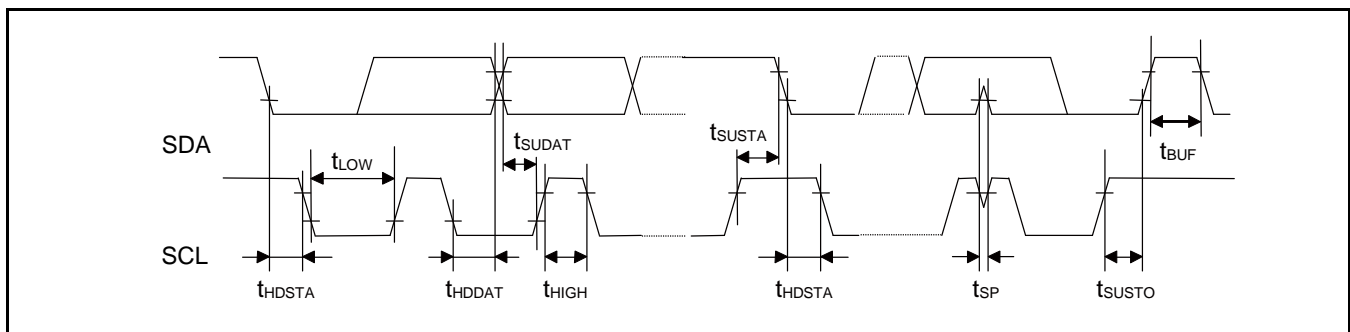
About the APB bus number that I<sup>2</sup>C is connected to, see 8. Block Diagram in this data sheet.

To use fast mode plus (Fm+), set the peripheral bus clock at 64 MHz or more.

\*5: The noise filter time can be changed by register settings.

Change the number of the noise filter steps according to APB bus clock frequency.

\*6: When using fast mode plus (Fm+), set the I/O pin to the mode corresponding to I<sup>2</sup>C Fm+ in the EPFR register. See CHAPTER 12: I/O Port in FM4 Family Peripheral Manual Main part (002-04856) for the details.



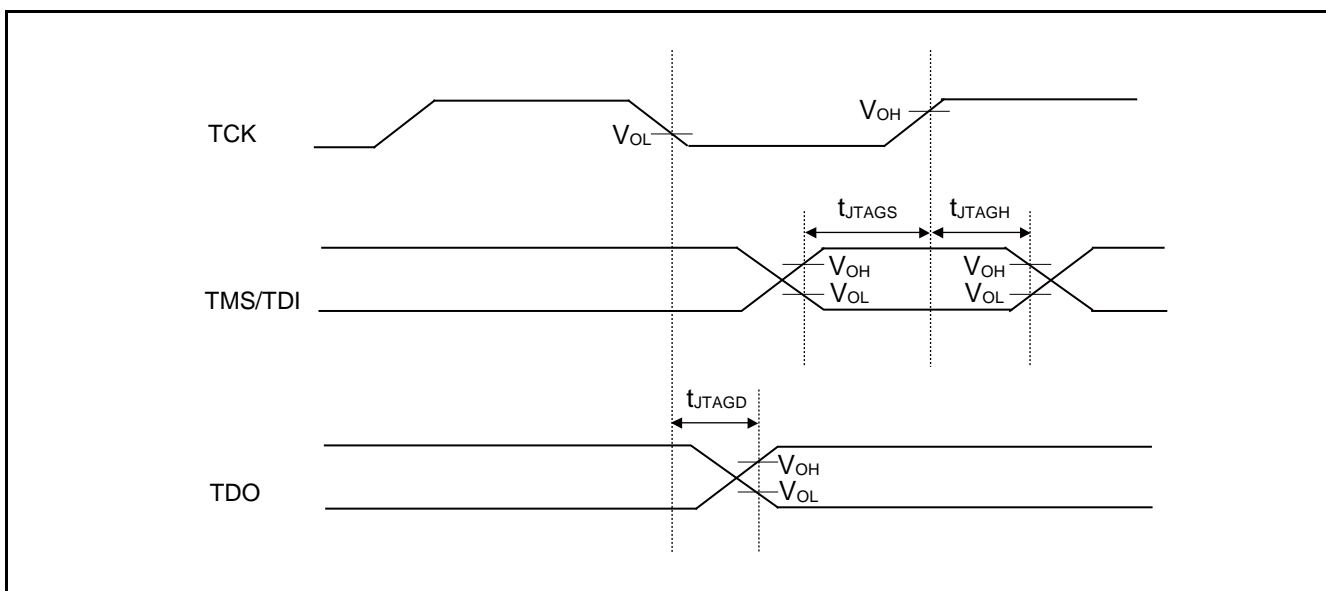
**12.4.14 JTAG Timing**

 ( $V_{CC} = 2.7V$  to  $5.5V$ ,  $V_{SS} = 0V$ )

Parameter	Symbol	Pin Name	Conditions	Value		Unit	Remarks
				Min	Max		
TMS, TDI setup time	$t_{JTAGS}$	TCK, TMS, TDI	$V_{CC} \geq 4.5 V$	15	-	ns	
			$V_{CC} < 4.5 V$				
TMS, TDI hold time	$t_{JTAGH}$	TCK, TMS, TDI	$V_{CC} \geq 4.5 V$	15	-	ns	
			$V_{CC} < 4.5 V$				
TDO delay time	$t_{JTAGD}$	TCK, TDO	$V_{CC} \geq 4.5 V$	-	25	ns	
			$V_{CC} < 4.5 V$	-	45		

**Note:**

- When the external load capacitance  $C_L = 30 pF$ .





## 12.5 12-bit A/D Converter

### Electrical Characteristics for the A/D Converter

( $V_{CC} = AV_{CC} = 2.7V$  to  $5.5V$ ,  $V_{SS} = AV_{SS} = AV_{RL} = 0V$ )

Parameter	Symbol	Pin Name	Value			Unit	Remarks
			Min	Typ	Max		
Resolution	-	-	-	-	12	bit	
Integral Nonlinearity	-	-	-4.5	-	+4.5	LSB	AVRH = 2.7 V to 5.5 V
Differential Nonlinearity	-	-	-2.5	-	+2.5	LSB	
Zero transition voltage	$V_{ZT}$	AN00 to AN14	-15	-	+15	mV	
Full-scale transition voltage	$V_{FST}$	AN00 to AN14	AVRH - 15	-	AVRH + 15	mV	
Conversion time	-	-	0.5* <sup>1</sup>	-	-	$\mu$ s	$AV_{CC} \geq 4.5V$
Sampling time	$T_s$	-	*2	-	10	$\mu$ s	$AV_{CC} \geq 4.5V$
			*2	-			$AV_{CC} < 4.5V$
Compare clock cycle* <sup>3</sup>	$T_{cck}$	-	25	-	1000	ns	$AV_{CC} \geq 4.5V$
			50	-	1000		$AV_{CC} < 4.5V$
State transition time to operation permission	$T_{stt}$	-	-	-	1.0	$\mu$ s	
Power supply current (analog + digital)	-	AVCC	-	0.69	0.92	mA	A/D 1 unit operation
			-	0.3	12		$\mu$ A
Reference power supply current (AVRH)	-	AVRH	-	1.1	1.97	mA	A/D 1 unit operation AVRH=5.5 V
				0.2	4.2		$\mu$ A
Analog input capacity	$C_{AIN}$	-	-	-	10	pF	
Analog input resistance	$R_{AIN}$	-	-	-	1.2	k $\Omega$	$AV_{CC} \geq 4.5 V$
					1.8		$AV_{CC} < 4.5 V$
Interchannel disparity	-	-	-	-	4	LSB	
Analog port input leak current	-	AN00 to AN14	-	-	5	$\mu$ A	
Analog input voltage	-	AN00 to AN14	$AV_{SS}$	-	AVRH	V	
Reference voltage	-	AVRH	4.5	-	$AV_{CC}$	V	$T_{cck} < 50$ ns
			2.7	-	$AV_{CC}$		$T_{cck} \geq 50$ ns

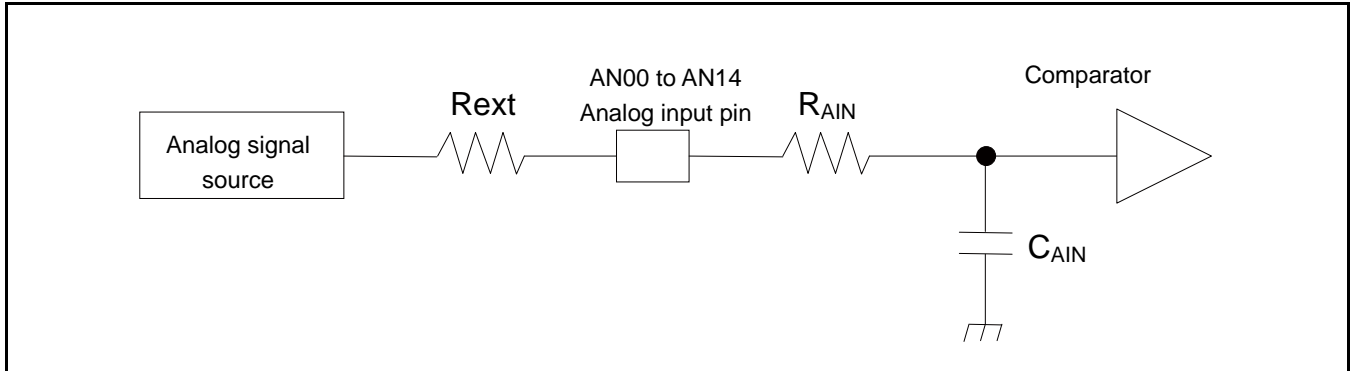
\*1: The conversion time is the value of sampling time ( $T_s$ ) + compare time ( $T_c$ ).

The condition of the minimum conversion time is when the value of sampling time: 150 ns, the value of compare time: 350 ns ( $AV_{CC} \geq 4.5 V$ ). Ensure that it satisfies the value of sampling time ( $T_s$ ) and compare clock cycle ( $T_{cck}$ ). For setting\*<sup>4</sup> of sampling time and compare clock cycle, see CHAPTER 1-1: A/D Converter in FM4 Family Peripheral Manual Analog macro part (002-04860). The register setting of the A/D Converter is reflected by the peripheral clock timing. The sampling and compare clock are set at Base clock (HCLK).

\*2: A necessary sampling time changes by external impedance. Ensure that it set the sampling time to satisfy (Equation 1).

\*3: The compare time ( $T_c$ ) is the value of (Equation 2).

\*4: The register setting of the A/D Converter is reflected by the timing of the APB bus clock. The sampling clock and compare clock are set in base clock (HCLK). About the APB bus number which the A/D Converter is connected to, see 8. Block Diagram in this data sheet.



(Equation 1)  $T_s \geq (R_{AIN} + R_{ext}) \times C_{AIN} \times 9$

$T_s$ : Sampling time

$R_{AIN}$ : Input resistance of A/D = 1.2 k $\Omega$  at 4.5 V <  $AV_{CC}$  < 5.5 V  
 Input resistance of A/D = 1.8 k $\Omega$  at 2.7 V <  $AV_{CC}$  < 4.5 V

$C_{AIN}$ : Input capacity of A/D = 10 pF at 2.7 V <  $AV_{CC}$  < 5.5 V

$R_{ext}$ : Output impedance of external circuit

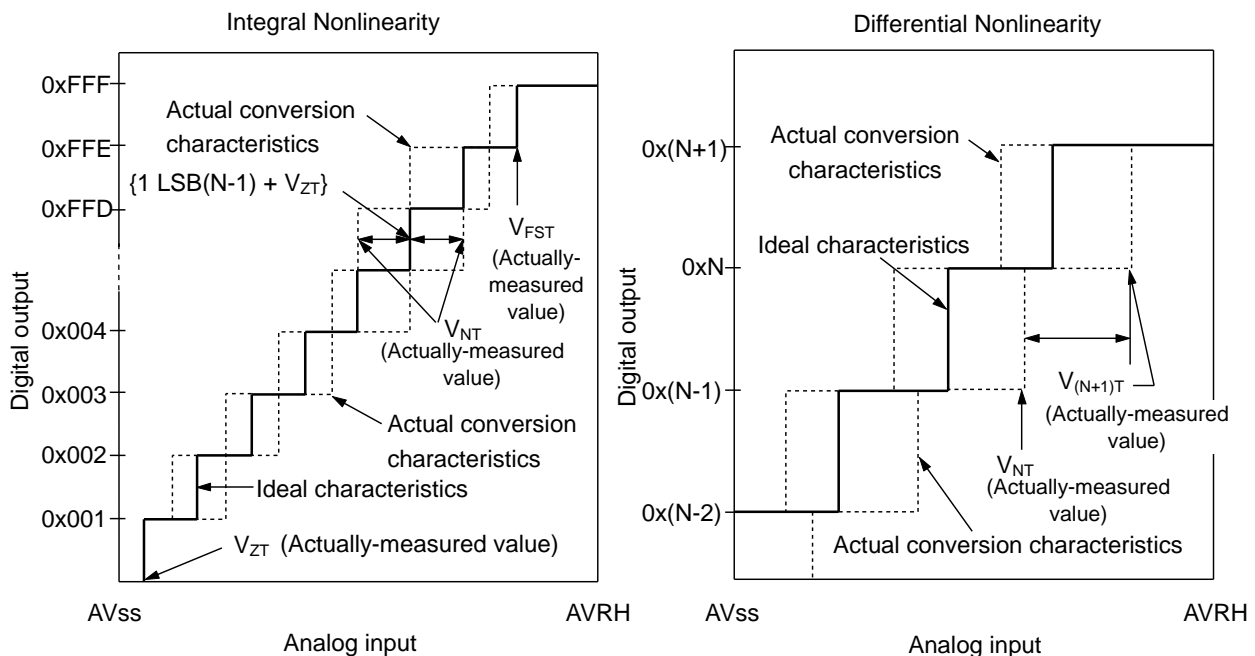
(Equation 2)  $T_c = T_{cck} \times 14$

$T_c$ : Compare time

$T_{cck}$ : Compare clock cycle

**Definition of 12-bit A/D Converter Terms**

- Resolution: Analog variation that is recognized by an A/D converter.
- Integral Nonlinearity: Deviation of the line between the zero-transition point (0b000000000000 ↔ 0b000000000001) and the full-scale transition point (0b111111111110 ↔ 0b111111111111) from the actual conversion characteristics.
- Differential Nonlinearity: Deviation from the ideal value of the input voltage that is required to change the output code by 1 LSB.



$$\text{Integral Nonlinearity of digital output } N = \frac{V_{NT} - \{1\text{LSB} \times (N - 1) + V_{ZT}\}}{1\text{LSB}} \text{ [LSB]}$$

$$\text{Differential Nonlinearity of digital output } N = \frac{V_{(N+1)T} - V_{NT}}{1\text{LSB}} - 1 \text{ [LSB]}$$

$$1\text{LSB} = \frac{V_{FST} - V_{ZT}}{4094}$$

N: A/D converter digital output value.

V<sub>ZT</sub>: Voltage at which the digital output changes from 0x000 to 0x001.

V<sub>FST</sub>: Voltage at which the digital output changes from 0xFFE to 0xFFF.

V<sub>NT</sub>: Voltage at which the digital output changes from 0x(N - 1) to 0xN.

**12.6 12-bit D/A Converter**
**Electrical Characteristics for the D/A Converter**
 $(V_{CC} = AV_{CC} = 2.7V \text{ to } 5.5V, V_{SS} = AV_{SS} = 0V)$ 

Parameter	Symbol	Pin Name	Value			Unit	Remarks
			Min	Typ	Max		
Resolution	-	DAx	-	-	12	bit	
Conversion time	tc20		0.56	0.69	0.81	μs	Load 20pF
	tc100		2.79	3.42	4.06	μs	Load 100pF
Integral Nonlinearity*	INL		-16	-	+16	LSB	
Differential Nonlinearity*	DNL		-0.98	-	+1.5	LSB	
Output voltage offset	V <sub>OFF</sub>		-	-	10.0	mV	When setting 0x000
			-20.0	-	+1.4	mV	When setting 0xFFFF
Analog output impedance	R <sub>O</sub>		3.10	3.80	4.50	kΩ	D/A operation
		2.0	-	-	MΩ	When D/A stop	
Power supply current*	IDDA	AVCC	260	330	410	μA	D/A 1unit operation AV <sub>CC</sub> =3.3 V
			400	519	620	μA	D/A 1unit operation AV <sub>CC</sub> =5.0 V
	IDSA		-	-	14	μA	When D/A stop

\*: During no load

## 12.7 Low-Voltage Detection Characteristics

### 12.7.1 Low-Voltage Detection Reset

Parameter	Symbol	Conditions	Value			Unit	Remarks
			Min	Typ	Max		
Detected voltage	VDL	-	2.25	2.45	2.65	V	When voltage drops
Released voltage	VDH	-	2.30	2.50	2.70	V	When voltage rises

### 12.7.2 Interrupt of Low-Voltage Detection

Parameter	Symbol	Conditions	Value			Unit	Remarks
			Min	Typ	Max		
Detected voltage	VDL	SVHI = 00111	2.58	2.8	3.02	V	When voltage drops
Released voltage	VDH		2.67	2.9	3.13	V	When voltage rises
Detected voltage	VDL	SVHI = 00100	2.76	3.0	3.24	V	When voltage drops
Released voltage	VDH		2.85	3.1	3.34	V	When voltage rises
Detected voltage	VDL	SVHI = 01100	2.94	3.2	3.45	V	When voltage drops
Released voltage	VDH		3.04	3.3	3.56	V	When voltage rises
Detected voltage	VDL	SVHI = 01111	3.31	3.6	3.88	V	When voltage drops
Released voltage	VDH		3.40	3.7	3.99	V	When voltage rises
Detected voltage	VDL	SVHI = 01110	3.40	3.7	3.99	V	When voltage drops
Released voltage	VDH		3.50	3.8	4.10	V	When voltage rises
Detected voltage	VDL	SVHI = 01001	3.68	4.0	4.32	V	When voltage drops
Released voltage	VDH		3.77	4.1	4.42	V	When voltage rises
Detected voltage	VDL	SVHI = 01000	3.77	4.1	4.42	V	When voltage drops
Released voltage	VDH		3.86	4.2	4.53	V	When voltage rises
Detected voltage	VDL	SVHI = 11000	3.86	4.2	4.53	V	When voltage drops
Released voltage	VDH		3.96	4.3	4.64	V	When voltage rises
LVD stabilization wait time	T <sub>LVDW</sub>	-	-	-	4480x t <sub>CYCP</sub> *	μs	

\*: t<sub>CYCP</sub> indicates the APB2 bus clock cycle time.

**12.8 MainFlash Memory Write/Erase Characteristics**

 (V<sub>CC</sub> = 2.7V to 5.5V)

Parameter		Value			Unit	Remarks
		Min	Typ	Max		
Sector erase time	Large Sector	-	0.7	3.7	s	Includes write time prior to internal erase
	Small Sector		0.3	1.1		
Half word (16-bit) write time	Write cycles < 100 times	-	12	100	μs	Not including system-level overhead time
	Write cycles > 100 times			200		
Chip erase time		-	8.0	38.4	s	Includes write time prior to internal erase

Write cycles and data hold time

Erase/Write Cycles (Cycle)	Data Hold Time (Year)
1,000	20 *
10,000	10 *
100,000	5 *

\*: This value comes from the technology qualification (using Arrhenius equation to translate high temperature acceleration test result into average temperature value at +85°C).

**12.9 WorkFlash Memory Write/Erase Characteristics**

 (V<sub>CC</sub> = 2.7V to 5.5V)

Parameter		Value			Unit	Remarks
		Min	Typ	Max		
Sector erase time		-	0.3	1.5	s	Includes write time prior to internal erase
Half word (16-bit) write time		-	20	200	μs	Not including system-level overhead time
Chip erase time		-	1.2	6	s	Includes write time prior to internal erase

Write cycles and data hold time

Erase/Write Cycles (Cycle)	Data Hold Time (Year)
1,000	20 *
10,000	10 *
100,000	5 *

\*: This value comes from the technology qualification (using Arrhenius equation to translate high temperature acceleration test result into average temperature value at +85°C).

**12.10 Standby Recovery Time**

**12.10.1 Recovery Cause: Interrupt/WKUP**

The time from recovery cause reception of the internal circuit to the program operation start is shown.

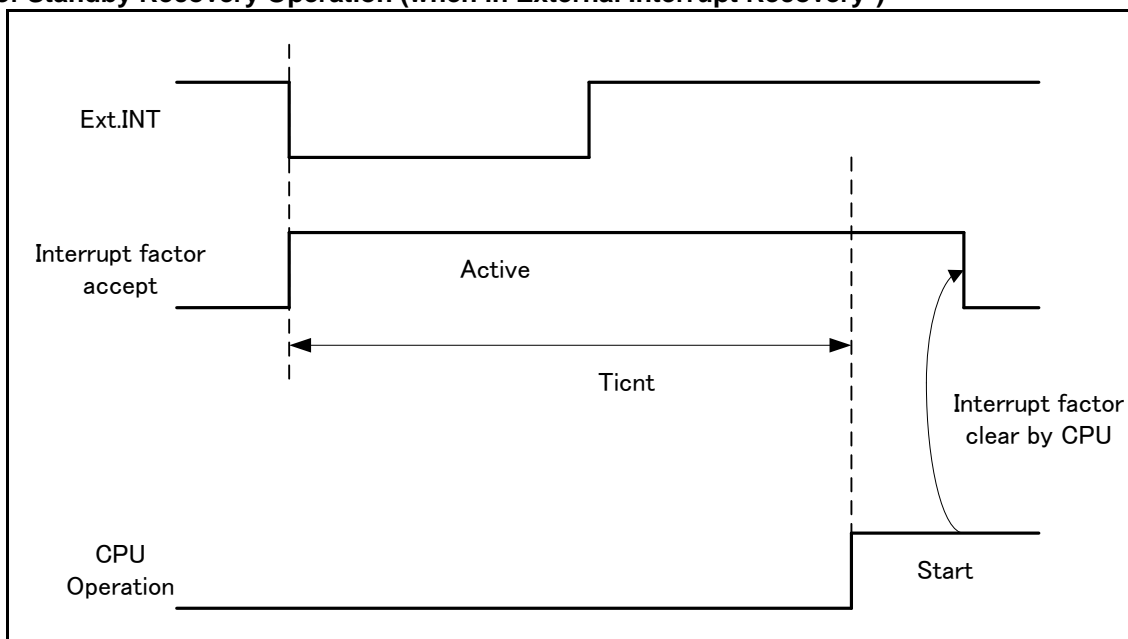
**Recovery Count Time**

(V<sub>CC</sub> = 2.7V to 5.5V, V<sub>SS</sub> = 0V)

Parameter	Symbol	Value		Unit	Remarks
		Typ	Max*		
Sleep mode	Ticnt	HCLKx1		μs	
High-speed CR Timer mode Main Timer mode PLL Timer mode		40	80	μs	
Low-speed CR timer mode		450	900	μs	
Sub timer mode		896	1136	μs	
RTC mode stop mode (High-speed CR /Main/PLL run mode return)		316	581	μs	
RTC mode stop mode (Low-speed CR/sub run mode return)		270	540	μs	
Deep standby RTC mode		365	667	μs	without RAM retention
Deep standby stop mode		365	667	μs	with RAM retention

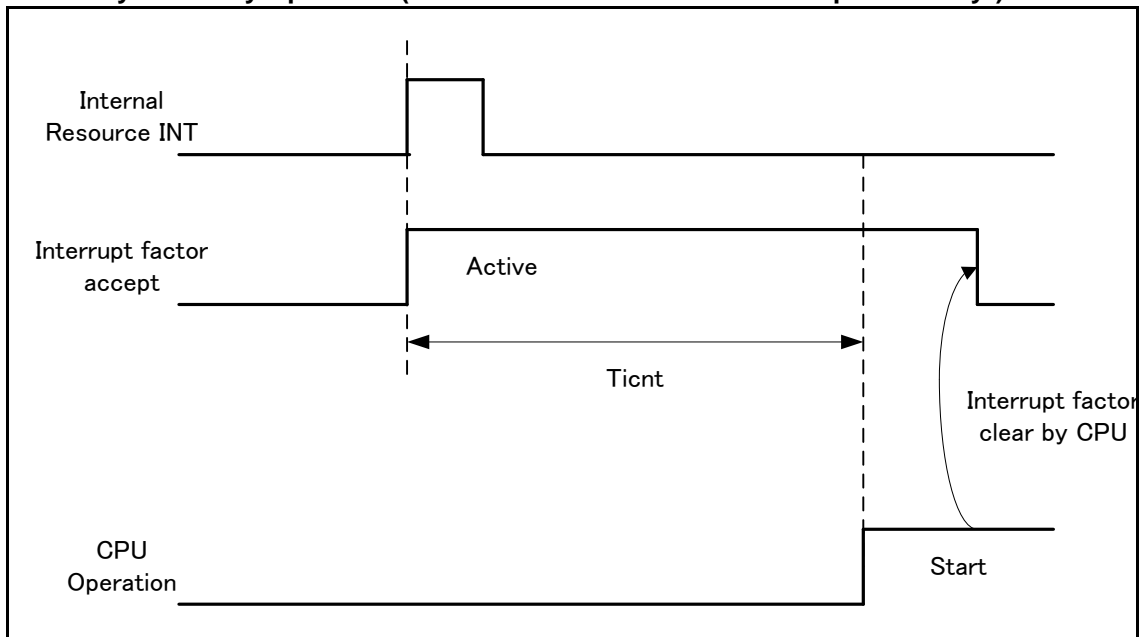
\*: The maximum value depends on the built-in CR accuracy.

**Example of Standby Recovery Operation (when in External Interrupt Recovery\*)**



\*: External interrupt is set to detecting fall edge.

**Example of Standby Recovery Operation (when in Internal Resource Interrupt Recovery\*)**



\*: Depending on the standby mode, interrupt from the internal resource is not included in the recovery cause.

**Notes:**

- The return factor is different in each Low-Power consumption modes. See CHAPTER 6: Low Power Consumption Mode and Operations of Standby Modes in FM4 Family Peripheral Manual Main part (002-04856).
- When interrupt recovers, the operation mode that CPU recovers depend on the state before the Low-Power consumption mode transition. See CHAPTER 6: Low Power Consumption Mode in FM4 Family Peripheral Manual Main part (002-04856).



**12.10.2 Recovery Cause: Reset**

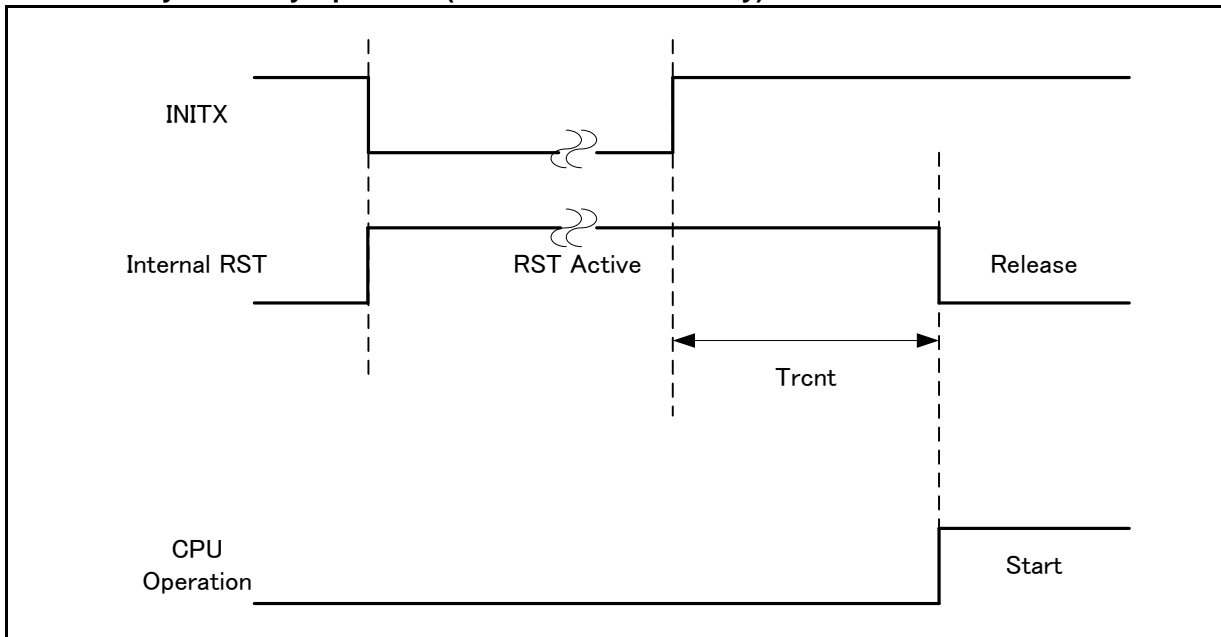
The time from reset release to the program operation start is shown.

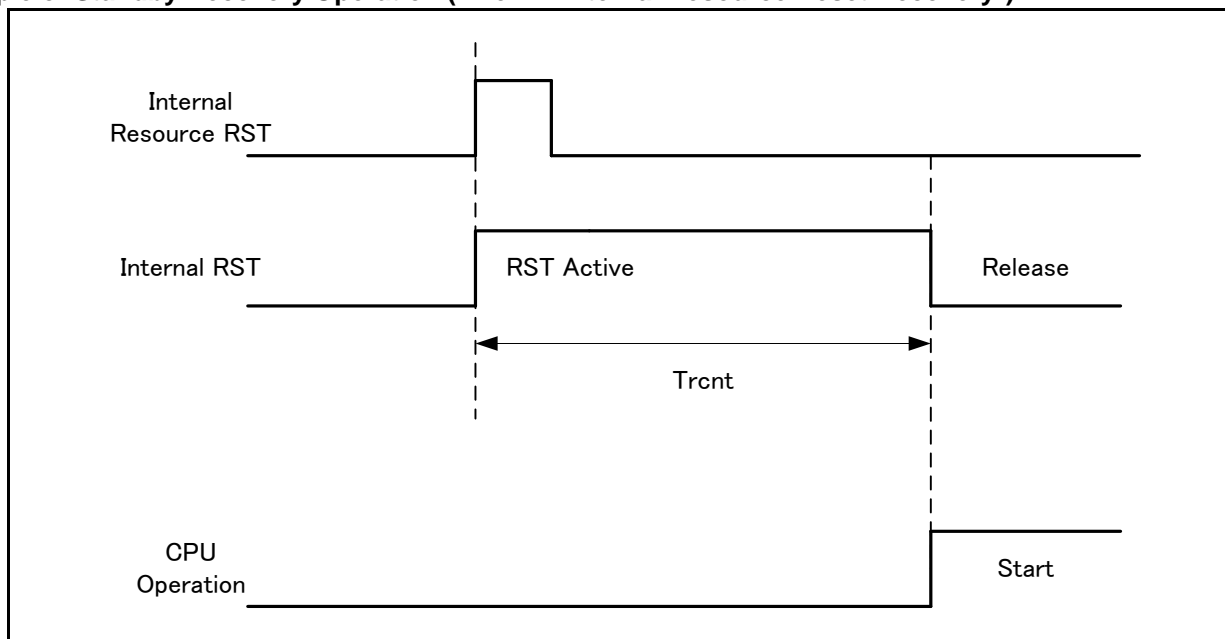
**Recovery Count Time**

( $V_{CC} = 2.7V$  to  $5.5V$ ,  $V_{SS} = 0V$ )

Parameter	Symbol	Value		Unit	Remarks	
		Typ	Max*			
Sleep mode	Trcnt	155	266	$\mu s$		
High-speed CR timer mode Main timer mode PLL timer mode		155	266	$\mu s$		
Low-speed CR timer mode		315	567	$\mu s$		
Sub timer mode		315	567	$\mu s$		
RTC mode Stop mode		315	567	$\mu s$		
Deep standby RTC mode Deep standby stop mode		336		667	$\mu s$	without RAM retention
				667	$\mu s$	with RAM retention

\*: The maximum value depends on the built-in CR accuracy.

**Example of Standby Recovery Operation (when in INITX Recovery)**


**Example of Standby Recovery Operation (when in Internal Resource Reset Recovery\*)**


\*: Depending on the standby mode, the reset issue from the internal resource is not included in the recovery cause.

**Notes:**

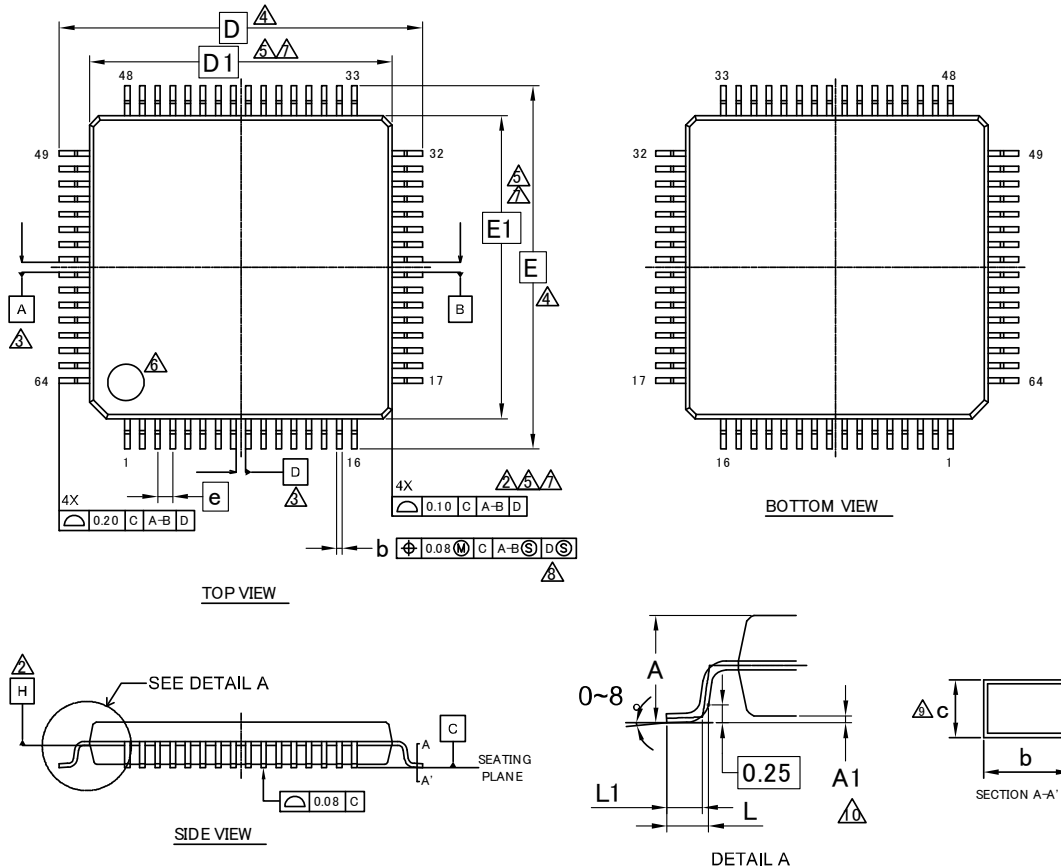
- The return factor is different in each Low-Power consumption modes. See CHAPTER 6: Low Power Consumption Mode and Operations of Standby Modes in FM4 Family Peripheral Manual Main part (002-04856).
- The time during the power-on reset/low-voltage detection reset is excluded to the recovery source. See 12.4.7 Power-on Reset Timing in 12.4 AC Characteristics in 12. Electrical Characteristics for the detail on the time during the power-on reset/low-voltage detection reset.
- When in recovery from reset, CPU changes to the high-speed CR run mode. When using the main clock or the PLL clock, it is necessary to add the main clock oscillation stabilization wait time or the main PLL clock stabilization wait time.
- The internal resource reset means the watchdog reset and the CSV reset.

**13. Ordering Information**

Part Number	Package
MB9BF164LPMC1	Plastic • LQFP (0.5mm pitch), 64 pin (LQD064)
MB9BF165LPMC1	
MB9BF166LPMC1	
MB9BF164LPMC	Plastic • LQFP (0.65mm pitch), 64 pin (LQG064)
MB9BF165LPMC	
MB9BF166LPMC	
MB9BF164KPMC	Plastic • LQFP (0.5mm pitch), 48 pin (LQA048)
MB9BF165KPMC	
MB9BF166KPMC	
MB9BF164LQN	Plastic • QFN (0.5mm pitch), 64 pin (VNC064)
MB9BF165LQN	
MB9BF166LQN	
MB9BF164KQN	Plastic • QFN (0.5mm pitch), 48 pin (VNA048)
MB9BF165KQN	
MB9BF166KQN	

## 14. Package Dimensions

Package Type	Package Code
LQFP 64pin (0.5mm pitch)	LQD064



SYMBOL	DIMENSIONS		
	MIN.	NOM.	MAX.
A	—	—	1.70
A1	0.00	—	0.20
b	0.15	—	0.27
c	0.09	—	0.20
D	12.00 BSC.		
D1	10.00 BSC.		
e	0.50 BSC.		
E	12.00 BSC.		
E1	10.00 BSC.		
L	0.45	0.60	0.75
L1	0.30	0.50	0.70

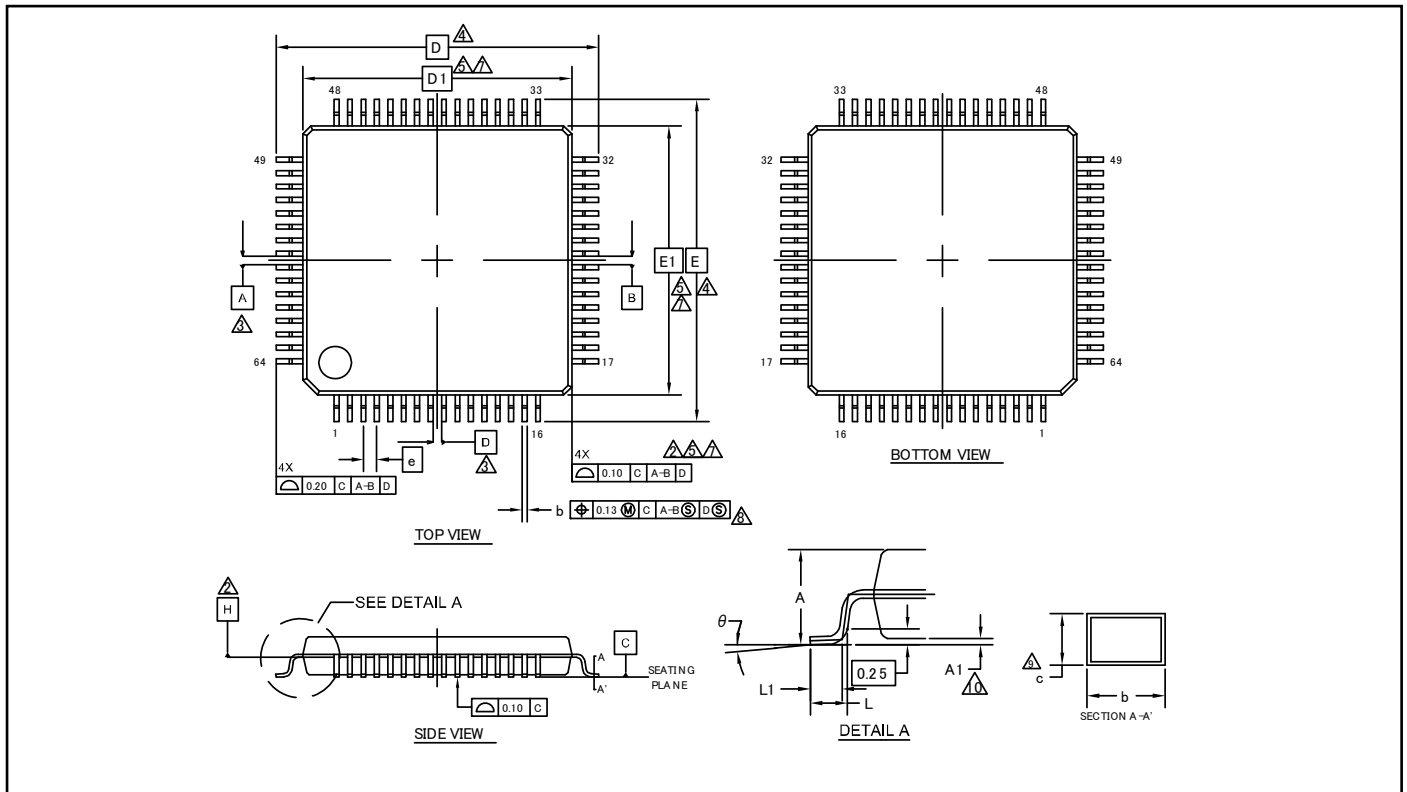
### NOTES

- ALL DIMENSIONS ARE IN MILLIMETERS.
- DATUM PLANE H IS LOCATED AT THE BOTTOM OF THE MOLD PARTING LINE COINCIDENT WITH WHERE THE LEAD EXITS THE BODY.
- DATUMS A-B AND D TO BE DETERMINED AT DATUM PLANE H.
- TO BE DETERMINED AT SEATING PLANE C.
- DIMENSIONS D1 AND E1 DO NOT INCLUDE MOLD PROTRUSION. ALLOWABLE PROTRUSION IS 0.25mm PRE SIDE. DIMENSIONS D1 AND E1 INCLUDE MOLD MISMATCH AND ARE DETERMINED AT DATUM PLANE H.
- DETAILS OF PIN 1 IDENTIFIER ARE OPTIONAL BUT MUST BE LOCATED WITHIN THE ZONE INDICATED.
- REGARDLESS OF THE RELATIVE SIZE OF THE UPPER AND LOWER BODY SECTIONS, DIMENSIONS D1 AND E1 ARE DETERMINED AT THE LARGEST FEATURE OF THE BODY EXCLUSIVE OF MOLD FLASH AND GATE BURRS. BUT INCLUDING ANY MISMATCH BETWEEN THE UPPER AND LOWER SECTIONS OF THE MOLDER BODY.
- DIMENSION b DOES NOT INCLUDE DAMBER PROTRUSION. THE DAMBER PROTRUSION (S) SHALL NOT CAUSE THE LEAD WIDTH TO EXCEED b MAXIMUM BY MORE THAN 0.08mm. DAMBAR CANNOT BE LOCATED ON THE LOWER RADIUS OR THE LEAD FOOT.
- THESE DIMENSIONS APPLY TO THE FLAT SECTION OF THE LEAD BETWEEN 0.10mm AND 0.25mm FROM THE LEAD TIP.
- A1 IS DEFINED AS THE DISTANCE FROM THE SEATING PLANE TO THE LOWEST POINT OF THE PACKAGE BODY.

002-11499 \*\*

 PACKAGE OUTLINE, 64 LEAD LQFP  
 10.0X10.0X1.7 MM LQD064 Rev\*\*

Package Type	Package Code
LQFP 64pin (0.65mm pitch)	LQG064



SYMBOL	DIMENSION		
	MIN.	NOM.	MAX.
A	—	—	1.70
A1	0.00	—	0.20
b	0.27	0.32	0.37
c	0.09	—	0.20
D	14.00 BSC		
D1	12.00 BSC		
e	0.65 BSC		
E	14.00 BSC		
E1	12.00 BSC		
L	0.45	0.60	0.75
L1	0.30	0.50	0.70
$\theta$	0°	—	8°

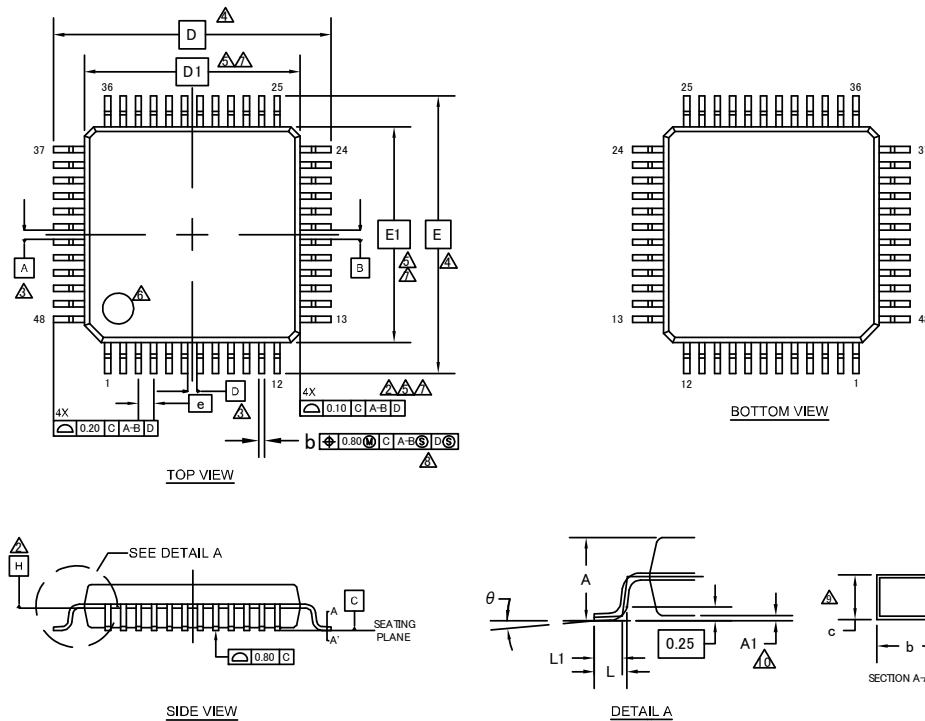
### NOTES

- ALL DIMENSIONS ARE IN MILLIMETERS.
- DATUM PLANE H IS LOCATED AT THE BOTTOM OF THE MOLD PARTING LINE COINCIDENT WITH WHERE THE LEAD EXITS THE BODY.
- DATUMS A-B AND D TO BE DETERMINED AT DATUM PLANE H.
- TO BE DETERMINED AT SEATING PLANE C.
- DIMENSIONS D1 AND E1 DO NOT INCLUDE MOLD PROTRUSION. ALLOWABLE PROTRUSION IS 0.25mm PRE SIDE. DIMENSIONS D1 AND E1 INCLUDE MOLD MISMATCH AND ARE DETERMINED AT DATUM PLANE H.
- DETAILS OF PIN 1 IDENTIFIER ARE OPTIONAL BUT MUST BE LOCATED WITHIN THE ZONE INDICATED.
- REGARDLESS OF THE RELATIVE SIZE OF THE UPPER AND LOWER BODY SECTIONS, DIMENSIONS D1 AND E1 ARE DETERMINED AT THE LARGEST FEATURE OF THE BODY EXCLUSIVE OF MOLD FLASH AND GATE BURRS, BUT INCLUDING ANY MISMATCH BETWEEN THE UPPER AND LOWER SECTIONS OF THE MOLDER BODY.
- DIMENSION b DOES NOT INCLUDE DAMBAR PROTRUSION. THE DAMBAR PROTRUSION (S) SHALL NOT CAUSE THE LEAD WIDTH TO EXCEED b MAXIMUM BY MORE THAN 0.08mm. DAMBAR CANNOT BE LOCATED ON THE LOWER RADIUS OR THE LEAD FOOT.
- THESE DIMENSIONS APPLY TO THE FLAT SECTION OF THE LEAD BETWEEN 0.10mm AND 0.25mm FROM THE LEAD TIP.
- A1 IS DEFINED AS THE DISTANCE FROM THE SEATING PLANE TO THE LOWEST POINT OF THE PACKAGE BODY.

002-13881 \*\*

 PACKAGE OUTLINE, 64 LEAD LQFP  
 12.0X12.0X1.7 MM LQG064 REV\*\*

Package Type	Package Code
LQFP 48pin (0.5mm pitch)	LQA048



SYMBOL	DIMENSIONS		
	MIN.	NOM.	MAX.
A	—	—	1.70
A1	0.00	—	0.20
b	0.15	—	0.27
c	0.09	—	0.20
D	9.00 BSC		
D1	7.00 BSC		
e	0.50 BSC		
E	9.00 BSC		
E1	7.00 BSC		
L	0.45	0.60	0.75
L1	0.30	0.50	0.70
$\theta$	0°	—	8°

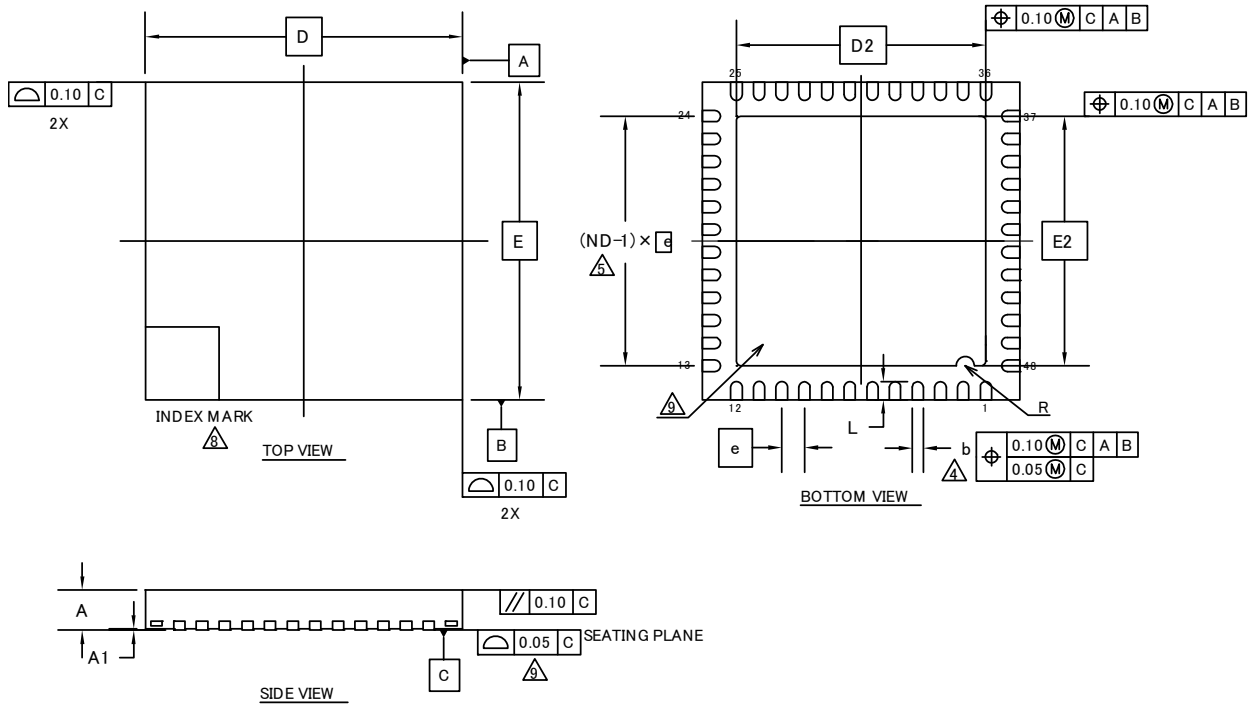
### NOTES

- ALL DIMENSIONS ARE IN MILLIMETERS.
- DATUM PLANE H IS LOCATED AT THE BOTTOM OF THE MOLD PARTING LINE COINCIDENT WITH WHERE THE LEAD EXITS THE BODY.
- DATUMS A-B AND D TO BE DETERMINED AT DATUM PLANE H.
- TO BE DETERMINED AT SEATING PLANE C.
- DIMENSIONS D1 AND E1 DO NOT INCLUDE MOLD PROTRUSION. ALLOWABLE PROTRUSION IS 0.25mm PRE SIDE. DIMENSIONS D1 AND E1 INCLUDE MOLD MISMATCH AND ARE DETERMINED AT DATUM PLANE H.
- DETAILS OF PIN 1 IDENTIFIER ARE OPTIONAL BUT MUST BE LOCATED WITHIN THE ZONE INDICATED.
- REGARDLESS OF THE RELATIVE SIZE OF THE UPPER AND LOWER BODY SECTIONS, DIMENSIONS D1 AND E1 ARE DETERMINED AT THE LARGEST FEATURE OF THE BODY EXCLUSIVE OF MOLD FLASH AND GATE BURRS, BUT INCLUDING ANY MISMATCH BETWEEN THE UPPER AND LOWER SECTIONS OF THE MOLDER BODY.
- DIMENSION b DOES NOT INCLUDE DAMBAR PROTRUSION. THE DAMBAR PROTRUSION (S) SHALL NOT CAUSE THE LEAD WIDTH TO EXCEED b MAXIMUM BY MORE THAN 0.08mm. DAMBAR CANNOT BE LOCATED ON THE LOWER RADIUS OR THE LEAD FOOT.
- THESE DIMENSIONS APPLY TO THE FLAT SECTION OF THE LEAD BETWEEN 0.10mm AND 0.25mm FROM THE LEAD TIP.
- A1 IS DEFINED AS THE DISTANCE FROM THE SEATING PLANE TO THE LOWEST POINT OF THE PACKAGE BODY.

002-13731 \*\*

 PACKAGE OUTLINE, 48 LEAD LQFP  
 7.0X7.0X1.7 MM LQA048 REV\*\*

Package Type	Package Code
QFN 64pin (0.5mm pitch)	VNC064



SYMBOL	DIMENSIONS		
	MIN.	NOM.	MAX.
A	—	—	0.90
A1	0.00	—	0.05
D	7.00 BSC		
E	7.00 BSC		
b	0.20	0.25	0.30
D2	5.50 BSC		
E2	5.50 BSC		
e	0.50 BSC		
R	0.20 REF		
L	0.35	0.40	0.45

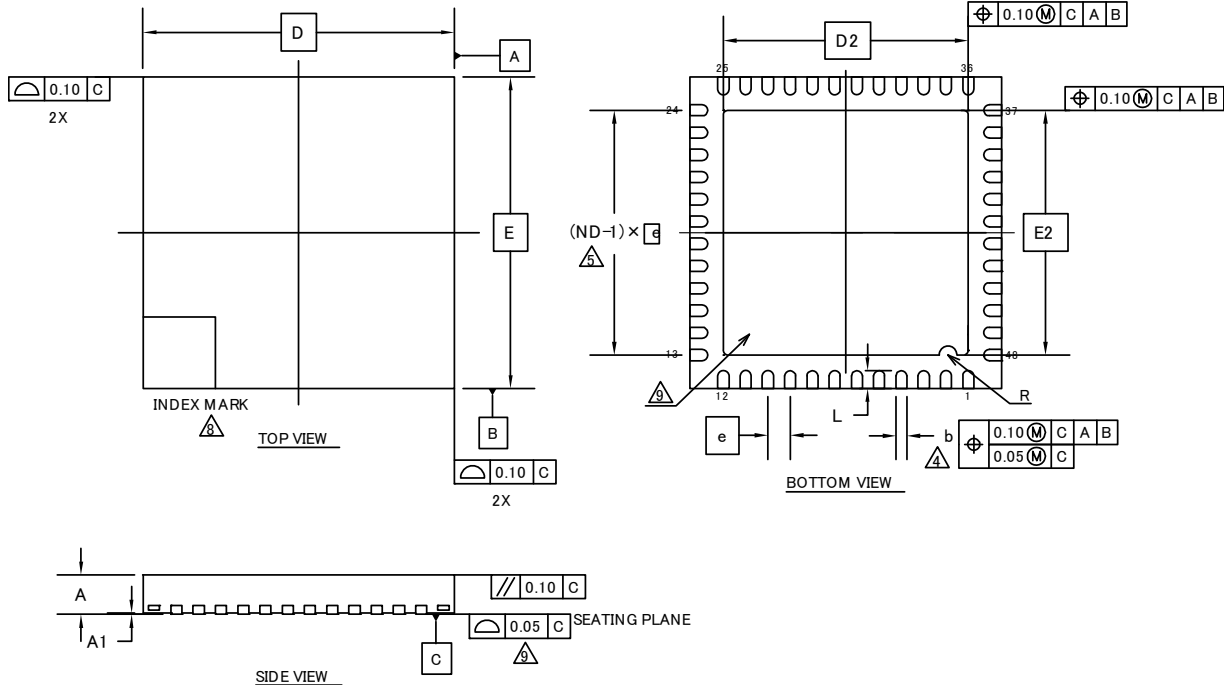
### NOTE

- ALL DIMENSIONS ARE IN MILLIMETERS
- DIMENSIONING AND TOLERANCING CONFORMS TO ASME Y14.5-1994
- N IS THE TOTAL NUMBER OF TERMINALS
- $\Delta$  DIMENSION "b" APPLIES TO METALLIZED TERMINAL AND IS MEASURED BETWEEN 0.15 AND 0.30mm FROM TERMINAL TIP. IF THE TERMINAL HAS THE OPTIONAL RADIUS ON THE OTHER END OF THE TERMINAL THE DIMENSION "b" SHOULD NOT BE MEASURED IN THAT RADIUS AREA
- $\Delta$  ND REFER TO THE NUMBER OF TERMINALS ON D OR E SIDE
- MAX. PACKAGE WARPAGE IS 0.05mm.
- MAXIMUM ALLOWABLE BURRS IS 0.076mm IN ALL DIRECTIONS
- $\Delta$  PIN #1 ID ON TOP WILL BE LOCATED WITHIN INDICATED ZONE
- $\Delta$  BILATERAL COPLANARITY ZONE APPLIES TO THE EXPOSED HEAT SINK SLUG AS WELL AS THE TERMINALS
- JEDEC SPECIFICATION NO. REF: N/A

002-13234 \*\*

PACKAGE OUTLINE, 48 LEAD QFN  
7.0X7.0X0.9MM VNA048 5.5X5.5MM EPAD(SAWN) REV\*\*

Package Type	Package Code
QFN 48pin (0.5mm pitch)	VNA048



SYMBOL	DIMENSIONS		
	MIN.	NOM.	MAX.
A	—	—	0.90
A1	0.00	—	0.05
D	7.00 BSC		
E	7.00 BSC		
b	0.20	0.25	0.30
D2	5.50 BSC		
E2	5.50 BSC		
e	0.50 BSC		
R	0.20 REF		
L	0.35	0.40	0.45

**NOTE**

- ALL DIMENSIONS ARE IN MILLIMETERS
  - DIMENSIONING AND TOLERANCING CONFORMS TO ASME Y14.5-1994.
  - N IS THE TOTAL NUMBER OF TERMINALS.
- $\Delta$  DIMENSION "b" APPLIES TO METALLIZED TERMINAL AND IS MEASURED BETWEEN 0.15 AND 0.30mm FROM TERMINAL TIP. IF THE TERMINAL HAS THE OPTIONAL RADIUS ON THE OTHER END OF THE TERMINAL THE DIMENSION "b" SHOULD NOT BE MEASURED IN THAT RADIUS AREA.
- $\Delta$  ND REFER TO THE NUMBER OF TERMINALS ON D OR E SIDE
- MAX. PACKAGE WARPAGE IS 0.05mm.
  - MAXIMUM ALLOWABLE BURRS IS 0.076mm IN ALL DIRECTIONS
- $\Delta$  PIN #1 ID ON TOP WILL BE LOCATED WITHIN INDICATED ZONE.
- $\Delta$  BILATERAL COPLANARITY ZONE APPLIES TO THE EXPOSED HEAT SINK SLUG AS WELL AS THE TERMINALS.
- JEDEC SPECIFICATION NO. REF: N/A

002-15528 \*\*

 PACKAGE OUTLINE: 48 LEAD QFN  
 7.0X7.0X0.9MM VNA048 5.5X5.5MM EPAD (SAWN) REV\*\*



## 15. Major Changes

Spanion Publication Number: DS709-00008

Page	Section	Change Results
-	-	Preliminary → Data Sheet
31 to 34	■ I/O CIRCUIT TYPE	Added the following description to Remarks of Type F, G, I, L, M, N: When this pin is used as an I <sup>2</sup> C pin, the digital output P-ch transistor is always off
35 to 36		Added the following description to Remarks of Type O, P, Q: For I/O setting, refer to VBAT Domain in the PERIPHERAL MANUAL
43	■ HANDLING DEVICES ● Handling when using debug pins	Added new section
44	■ BLOCK DIAGRAM	Revised the block diagram
57	■ ELECTRICAL CHARACTERISTICS 2. Recommended Operating Conditions	Added the note to "AVRH" Revised "Table for package thermal resistance and maximum permissible power"
58		Revised "I <sub>cc(leakmax)</sub> "
60 to 65	■ ELECTRICAL CHARACTERISTICS 3. DC Characteristics (1) Current Rating	<ul style="list-style-type: none"> <li>Revised the value of TBD</li> <li>Added the note to "I<sub>CC</sub>"</li> <li>Added the note to "I<sub>CCVBAT</sub>"</li> </ul>
70	■ ELECTRICAL CHARACTERISTICS 4. AC Characteristics (2) Sub Clock Input Characteristics	Revised the waveform chart : V <sub>CC</sub> → V <sub>BAT</sub>
70	■ ELECTRICAL CHARACTERISTICS 4. AC Characteristics (3) Built-in CR Oscillation Characteristics	<ul style="list-style-type: none"> <li>Revised the value of TBD</li> <li>Revised the table and the note of "Built-in High-speed CR"</li> </ul>
71	■ ELECTRICAL CHARACTERISTICS 4. AC Characteristics (4-1) Operating Conditions of Main PLL (In the case of using main clock for input clock of PLL)	<ul style="list-style-type: none"> <li>Revised the table and the note</li> </ul>
71	■ ELECTRICAL CHARACTERISTICS 4. AC Characteristics (4-2) Operating Conditions of Main PLL (In the case of using built-in high-speed CR clock for input clock of main PLL)	<ul style="list-style-type: none"> <li>Revised the value of TBD</li> <li>Revised the table and the note</li> </ul>
106	■ ELECTRICAL CHARACTERISTICS 5. 12-bit A/D Converter · Electrical Characteristics for the A/D Converter	<ul style="list-style-type: none"> <li>Revised the value of TBD</li> <li>Revised the condition of the electrical characteristics table</li> <li>Revised the description of "Reference voltage"</li> </ul>
109	■ ELECTRICAL CHARACTERISTICS 6. 12-bit D/A Converter · Electrical Characteristics for the D/A Converter	<ul style="list-style-type: none"> <li>Revised the value of TBD</li> <li>Revised the condition of the electrical characteristics table</li> <li>Revised the remarks of "IDDA"</li> </ul>
112	■ ELECTRICAL CHARACTERISTICS 11. Standby Recovery Time (1) Recovery cause: Interrupt/WKUP	<ul style="list-style-type: none"> <li>Revised the value of TBD</li> <li>Revised the table of Recovery count time</li> </ul>
114	■ ELECTRICAL CHARACTERISTICS 11. Standby Recovery Time (2) Recovery cause: Reset	<ul style="list-style-type: none"> <li>Revised the value of TBD</li> <li>Revised the table of Recovery count time</li> </ul>

**NOTE: Please see "Document History" about later revised information.**

## Document History

Document Title: MB9B160L Series 32-Bit Arm® Cortex® - M4F, FM4 Microcontroller  
 Document Number: 002-04976

Revision	ECN	Orig. of Change	Submission Date	Description of Change
**	-	AKIH	12/25/2013	Migrated to Cypress and assigned document number 002-04976. No change to document contents or format.
*A	5273878	AKIH	05/12/2016	Updated to Cypress format.
*B	5555936	YSKA	12/15/2017	<p><a href="#">Features</a>            Added an explanation of product category in introduction (Page 1).            Changed an explanation from "from 01 to 99" to "from 00 to 99" in Real-Time Clock (RTC) (Page 2) of Features, and Deleted "Second/A day of the week" of interrupt function.            Divided an explanation into 64 pin and 48 pin in Power Supply (Page 4) of Features.            Changed package code as the following in chapter :</p> <ul style="list-style-type: none"> <li><a href="#">2. Packages</a> (Page 8)</li> <li><a href="#">3. Pin Assignment</a> (Page 9 to 12)</li> <li><a href="#">12.2 Recommended Operating Conditions</a> (Page 53)</li> <li><a href="#">13.Ordering Information</a> (Page 113)</li> <li><a href="#">14. Package Dimensions</a> (Page 114 to 118).</li> </ul> <p>FTP-48P-M49 -&gt; LQA048, LCC-48P-M73 -&gt; VNA048,            FTP-64P-M38 -&gt; LQD064, FTP-64P-M39 -&gt; LQG064,            LCC-64P-M24 -&gt; VNC064</p> <p>Changed 15 pin (Page 15) at LQFP48 from VBAT to VCC in <a href="#">4.1 List of Pin Numbers</a>.            Added 15 pin (Page 27) to VCC of Power at LQFP48, Deleted 15 pin from VBAT of VBAT Power at LQFP48 in <a href="#">4.2 List of Pin Functions</a>.            Added Note for JTAG pin (Page 27) in <a href="#">4. Pin Description</a>.            Added an explanation in Notes on Power-on (Page 39) of <a href="#">7. Handling Devices</a>.            Corrected "total maximum output current" to "total average output current" at <math>\Sigma</math> IOLAV in <a href="#">12.1 Absolute Maximum Ratings</a> (Page52).            Added Smoothing capacitor to Parameter, and Add remarks *4 in <a href="#">12.2 Recommended Operating Conditions</a> (Page 53).            Changed remark *3 to "When all ports are input and are fixed at "0"." in <a href="#">12.3.1 Current Rating</a> (Page 57 to 62).            In <a href="#">12.3.1 Current Rating</a>, Added remark *6 to ICCHD, Added remark *7 to ICCRD, Added remark *8/*9 to ICCVBAT/RTC operation, and Added remark *9 to ICCVBAT/RTC stop (Page 62).            Added an explanation for 48 pin package in <a href="#">12.4.2 Sub Clock Input Characteristics</a> (Page 67).</p>

Revision	ECN	Orig. of Change	Submission Date	Description of Change
				<p>Changed Parameter "Power supply rising time (<math>t_{VCCR}</math>)" to "Power ramp rate (<math>dV/dt</math>)" in <a href="#">12.4.7 Power-on Reset Timing</a>, Changed the minimum to 1.3mV/<math>\mu</math>s, Changed the maximum to 1000mV/<math>\mu</math>s, and Added remarks and note (Page 69).</p> <p>Deleted setting value "SPI=1" and "MS=0" at using chip select in <a href="#">12.4.10 UART Timing</a>, and Added "MS bit = 0" and "MS bit = 1" on the Figure (Page 88 to 95).</p> <p>Corrected "Analog port input current" to "Analog port input leak current" in <a href="#">12.5 12-bit A/D Converter</a> (Page 103).</p> <p>Reflected the following items in "Datasheet Errata for the MB9B160L Series (002-04977)".</p> <p>Added "IOH = -20.5 mA, IOL = 18.5 mA" to remarks in Type H (Page 30) of <a href="#">5.I/O Circuit Type</a>.</p> <p>Added "Pull-up resistor : Approximately 50 k<math>\Omega</math>" to remarks in Type I (Page 31) of <a href="#">5.I/O Circuit Type</a>.</p> <p>Modified S/T of VBAT Pin Status Type and remark *2 in List of VBAT Domain Pin Status (Page 51) of <a href="#">11.Pin Status in Each CPU State</a>.</p> <p>Added remarks *3 in <a href="#">12.2 Recommended Operating Conditions</a> (Page 53).</p> <p>Added Frequency stabilization time to Parameter, and Added remarks *2 in Built-in High-speed CR of <a href="#">12.4.3 Built-in CR Oscillation Characteristics</a> (Page 67).</p> <p>Added Conversion time to Parameter in Electrical Characteristics for the D/A Converter of <a href="#">12.6 12-bit D/A Converter</a> (Page 106).</p> <p>Revised Recovery Count Time of <a href="#">12.10.1 Recovery cause: Interrupt/WKUP</a> (Page 109) as follows.</p> <ul style="list-style-type: none"> <li>- Typical Value of Sub timer mode is 896<math>\mu</math>s.</li> <li>- Typical Value of RTC mode stop mode (High-speed CR / Main/PLL run mode return) is 316<math>\mu</math>s.</li> <li>- Typical Value of RTC mode stop mode (Low-speed CR / sub run mode return) is 270<math>\mu</math>s, and Max Value is 540<math>\mu</math>s.</li> <li>- Typical Value of Deep standby RTC mode without RAM retention is 365<math>\mu</math>s.</li> <li>- Typical Value of Deep standby RTC mode with RAM retention is 365<math>\mu</math>s.</li> </ul> <p>Revised Recovery Count Time of <a href="#">12.10.2 Recovery cause: Reset</a> (Page 111) as follows.</p> <ul style="list-style-type: none"> <li>- Typical Value of Sleep mode is 155<math>\mu</math>s.</li> <li>- Typical Value of High-speed CR timer mode is 155<math>\mu</math>s.</li> <li>- Typical Value of Low-speed CR timer mode is 315<math>\mu</math>s.</li> <li>- Typical Value of Sub timer mode is 315<math>\mu</math>s.</li> <li>- Typical Value of RTC mode stop mode is 315<math>\mu</math>s, Max Value is 567<math>\mu</math>s.</li> <li>- Typical Value of Deep standby RTC mode without RAM retention is</li> </ul>

Revision	ECN	Orig. of Change	Submission Date	Description of Change
				<p>336μs.</p> <p>- Typical Value of Deep standby RTC mode with RAM retention is 336μs</p> <p>Modified the Chapter name "12.4.11 UART Timing" to "12.4.11 CSIO/UART Timing". (Page 72)</p> <p>Added the Baud rate spec in "12.4.11 CSIO/UART Timing".(Page 72, 74, 76, 78).</p> <p>Modified the expression for "Reference power supply current" from "between AVRH and AVSS" to "AVRH" in chapter 12.5. 12-bit A/D Converter (Page 103)</p> <p>Moved the value(1.0) in "State transition time to operation permission" from minimum to maximum.(Page 103)</p> <p>Modified the expression of Built-in CR in "1. Product Lineup"(Page 7)</p> <p>Modified the mode name of I<sup>2</sup>C as follows(Page 2, 100)</p> <p>High-speed mode → Fast-mode, Typical Mode → Standard-mode</p> <p>Modified the typo as below.(Page 72, 74, 76, 78)</p> <p>SCLKx_0 → SCKx_0</p> <p>Modified typo in the "Recovery Count Time" table in 12.10.1 Recovery cause: Interrupt/WKUP (Page 109) and 12.10.2 Recovery Cause: Reset (Page 111) as follows.</p> <p>Old)</p> <p>Deep standby RTC mode with RAM retention</p> <p>Deep standby stop mode with RAM retention</p> <p>New)</p> <p>Deep standby RTC mode</p> <p>Deep standby stop mode</p>

## Sales, Solutions, and Legal Information

### Worldwide Sales and Design Support

Cypress maintains a worldwide network of offices, solution centers, manufacturer's representatives, and distributors. To find the office closest to you, visit us at [Cypress Locations](#).

### Products

ARM® Cortex® Microcontrollers	<a href="http://cypress.com/arm">cypress.com/arm</a>
Automotive	<a href="http://cypress.com/automotive">cypress.com/automotive</a>
Clocks & Buffers	<a href="http://cypress.com/clocks">cypress.com/clocks</a>
Interface	<a href="http://cypress.com/interface">cypress.com/interface</a>
Internet of Things	<a href="http://cypress.com/iot">cypress.com/iot</a>
Memory	<a href="http://cypress.com/memory">cypress.com/memory</a>
Microcontrollers	<a href="http://cypress.com/mcu">cypress.com/mcu</a>
PSoC	<a href="http://cypress.com/psoc">cypress.com/psoc</a>
Power Management ICs	<a href="http://cypress.com/pmic">cypress.com/pmic</a>
Touch Sensing	<a href="http://cypress.com/touch">cypress.com/touch</a>
USB Controllers	<a href="http://cypress.com/usb">cypress.com/usb</a>
Wireless Connectivity	<a href="http://cypress.com/wireless">cypress.com/wireless</a>

### PSoC® Solutions

[PSoC 1](#) | [PSoC 3](#) | [PSoC 4](#) | [PSoC 5LP](#) | [PSoC 6](#)

### Cypress Developer Community

[Forums](#) | [WICED IOT Forums](#) | [Projects](#) | [Video](#) | [Blogs](#) | [Training](#) | [Components](#)

### Technical Support

[cypress.com/support](http://cypress.com/support)

Arm and Cortex are registered trademarks of Arm Limited (or its subsidiaries) in the US and/or elsewhere.

© Cypress Semiconductor Corporation, 2013-2017. This document is the property of Cypress Semiconductor Corporation and its subsidiaries, including Spansion LLC ("Cypress"). This document, including any software or firmware included or referenced in this document ("Software"), is owned by Cypress under the intellectual property laws and treaties of the United States and other countries worldwide. Cypress reserves all rights under such laws and treaties and does not, except as specifically stated in this paragraph, grant any license under its patents, copyrights, trademarks, or other intellectual property rights. If the Software is not accompanied by a license agreement and you do not otherwise have a written agreement with Cypress governing the use of the Software, then Cypress hereby grants you a personal, non-exclusive, nontransferable license (without the right to sublicense) (1) under its copyright rights in the Software (a) for Software provided in source code form, to modify and reproduce the Software solely for use with Cypress hardware products, only internally within your organization, and (b) to distribute the Software in binary code form externally to end users (either directly or indirectly through resellers and distributors), solely for use on Cypress hardware product units, and (2) under those claims of Cypress's patents that are infringed by the Software (as provided by Cypress, unmodified) to make, use, distribute, and import the Software solely for use with Cypress hardware products. Any other use, reproduction, modification, translation, or compilation of the Software is prohibited.

TO THE EXTENT PERMITTED BY APPLICABLE LAW, CYPRESS MAKES NO WARRANTY OF ANY KIND, EXPRESS OR IMPLIED, WITH REGARD TO THIS DOCUMENT OR ANY SOFTWARE OR ACCOMPANYING HARDWARE, INCLUDING, BUT NOT LIMITED TO, THE IMPLIED WARRANTIES OF MERCHANTABILITY AND FITNESS FOR A PARTICULAR PURPOSE. To the extent permitted by applicable law, Cypress reserves the right to make changes to this document without further notice. Cypress does not assume any liability arising out of the application or use of any product or circuit described in this document. Any information provided in this document, including any sample design information or programming code, is provided only for reference purposes. It is the responsibility of the user of this document to properly design, program, and test the functionality and safety of any application made of this information and any resulting product. Cypress products are not designed, intended, or authorized for use as critical components in systems designed or intended for the operation of weapons, weapons systems, nuclear installations, life-support devices or systems, other medical devices or systems (including resuscitation equipment and surgical implants), pollution control or hazardous substances management, or other uses where the failure of the device or system could cause personal injury, death, or property damage ("Unintended Uses"). A critical component is any component of a device or system whose failure to perform can be reasonably expected to cause the failure of the device or system, or to affect its safety or effectiveness. Cypress is not liable, in whole or in part, and you shall and hereby do release Cypress from any claim, damage, or other liability arising from or related to all Unintended Uses of Cypress products. You shall indemnify and hold Cypress harmless from and against all claims, costs, damages, and other liabilities, including claims for personal injury or death, arising from or related to any Unintended Uses of Cypress products.

Cypress, the Cypress logo, Spansion, the Spansion logo, and combinations thereof, WICED, PSoC, CapSense, EZ-USB, F-RAM, and Traveo are trademarks or registered trademarks of Cypress in the United States and other countries. For a more complete list of Cypress trademarks, visit [cypress.com](http://cypress.com). Other names and brands may be claimed as property of their respective owners.