

HCPL-9000/-0900, -9030/-0930, HCPL-9031/-0931, -900J/-090J, HCPL-901J/-091J, -902J/-092J High Speed Digital Isolators



Description

The HCPL-90xx and HCPL-09xx CMOS digital isolators feature high speed performance and excellent transient immunity specifications. The symmetric magnetic coupling barrier gives these devices a typical pulse width distortion of 2 ns, a typical propagation delay skew of 4 ns and 100 Mbaud data rate, making them the industry's fastest digital isolators.

The single channel digital isolators (HCPL-9000/-0900) feature an active-low logic output enable. The dual channel digital isolators are configured as unidirectional (HCPL-9030/-0930) and bidirectional (HCPL-9031/-0931), operating in full-duplex mode, making them ideal for digital fieldbus applications.

The quad channel digital isolators are configured as unidirectional (HCPL-900J/-090J), two channels in one direction and two channels in opposite direction (HCPL-901J/-091J), and one channel in one direction and three channels in opposite direction (HCPL-902J/-092J). This high channel density makes them ideally suited to isolating data conversion devices, parallel buses, and peripheral interfaces.

They are available in 8-pin PDIP, 8-pin Gull Wing, 8-pin SOIC packages, and 16-pin SOIC narrow-body and wide-body packages. They are specified over the temperature range of -40°C to $+100^{\circ}\text{C}$.

Features

- +3.3V and +5V TTL/CMOS compatible
- 3 ns max. pulse width distortion
- 6 ns max. propagation delay skew
- 15 ns max. propagation delay
- High speed: 100 MBd
- 15 kV/ μs min. common mode rejection
- Tri-state output (HCPL-9000/-0900)
- 2500V RMS isolation
- UL1577 and IEC 61010-1 approved

Applications

- Digital fieldbus isolation
- Multiplexed data transmission
- Computer peripheral interface
- High speed digital systems
- Isolated data interfaces
- Logic level shifting

CAUTION! Take normal static precautions in handling and assembly of this component to prevent damage and/or degradation which may be induced by ESD. The components featured in this data sheet are not to be used in military or aerospace applications or environments.

Selection Guide

Device Number	Channel Configuration	Package
HCPL-9000	Single	8-pin DIP (300 Mil)
HCPL-0900	Single	8-pin Small Outline
HCPL-9030	Dual	8-pin DIP (300 Mil)
HCPL-0930	Dual	8-pin Small Outline
HCPL-9031	Dual, Bidirectional	8-pin DIP (300 Mil)
HCPL-0931	Dual, Bidirectional	8-pin Small Outline
HCPL-900J	Quad	16-pin Small Outline, Wide Body
HCPL-090J	Quad	16-pin Small Outline, Narrow Body
HCPL-901J	Quad, 2/2, Bidirectional	16-pin Small Outline, Wide Body
HCPL-091J	Quad, 2/2, Bidirectional	16-pin Small Outline, Narrow Body
HCPL-902J	Quad, 1/3, Bidirectional	16-pin Small Outline, Wide Body
HCPL-092J	Quad, 1/3, Bidirectional	16-pin Small Outline, Narrow Body

Ordering Information

HCPL-09xx and HCPL-90xx are UL Recognized with 2500 V_{rms} for 1 minute per UL1577.

Part Number	Option		Package	Surface Mount	Gull Wing	Tape & Reel	Quantity
	RoHS Compliant	Non RoHS Compliant					
HCPL-9000	-000E	No option	300 mil DIP-8				50 per tube
HCPL-9030	-300E	-300		X	X		50 per tube
HCPL-9031	-500E	-500		X	X	X	1000 per reel
HCPL-0900	-000E	No option	SO-8	X			100 per tube
HCPL-0930	-500E	-500		X		X	1500 per reel
HCPL-0931							
HCPL-900J	-000E	No option	Wide Body SO-16	X			50 per tube
HCPL-901J	-500E	-500		X		X	1000 per reel
HCPL-902J							
HCPL-900J	-000E	No option	Narrow Body SO-16	X			50 per tube
HCPL-901J	-500E	-500		X		X	1000 per reel
HCPL-902J							

To order, choose a part number from the part number column and combine with the desired option from the option column to form an order entry.

- Example 1:
 HCPL-9031-500E to order product of 300 mil DIP Gull Wing Surface Mount package in Tape and Reel in RoHS compliant.
- Example 2:
 HCPL-0900 to order product of SO-8 package in tube packaging and non RoHS compliant.

Option data sheets are available. Contact your Broadcom sales representative or authorized distributor for information.

Pin Descriptions

Symbol	Description
V_{DD1}	Power Supply 1
V_{DD2}	Power Supply 2
IN_X	Logic Input Signal
OUT_X	Logic Output Signal
GND_1	Power Supply Ground 1
GND_2	Power Supply Ground 2
V_{OE}	Logic Output Enable (Single Channel), Active Low
NC	Not Connected

Functional Diagrams

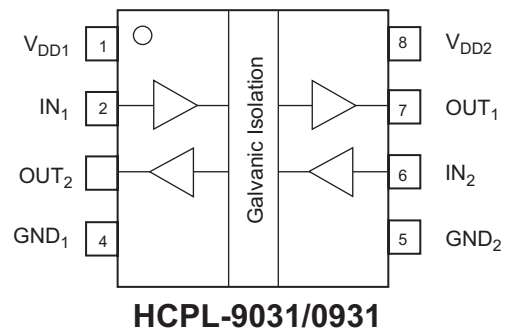
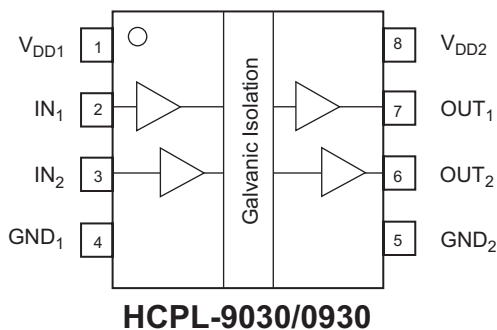
Single Channel



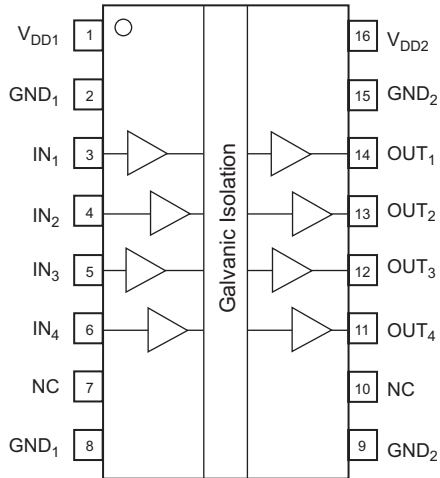
Truth Table

IN_1	V_{OE}	OUT_1
L	L	L
H	L	H
L	H	Z
H	H	Z

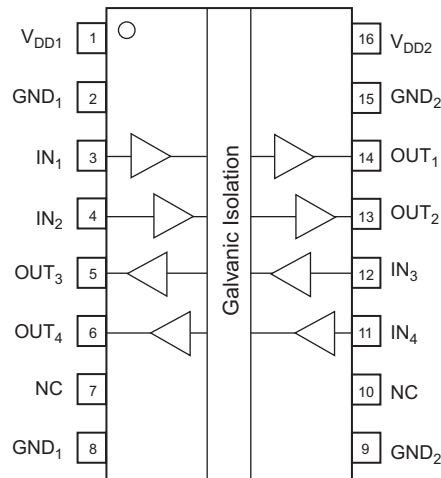
Dual Channel



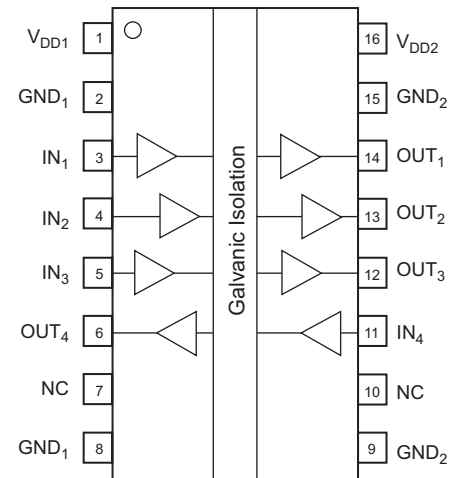
Quad Channel



HCPL-900J/-090J



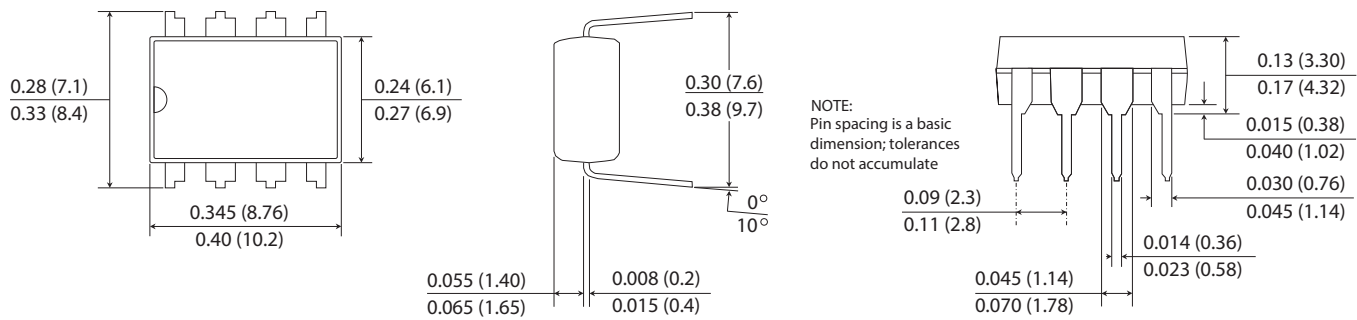
HCPL-901J/-091J



HCPL-902J/-092J

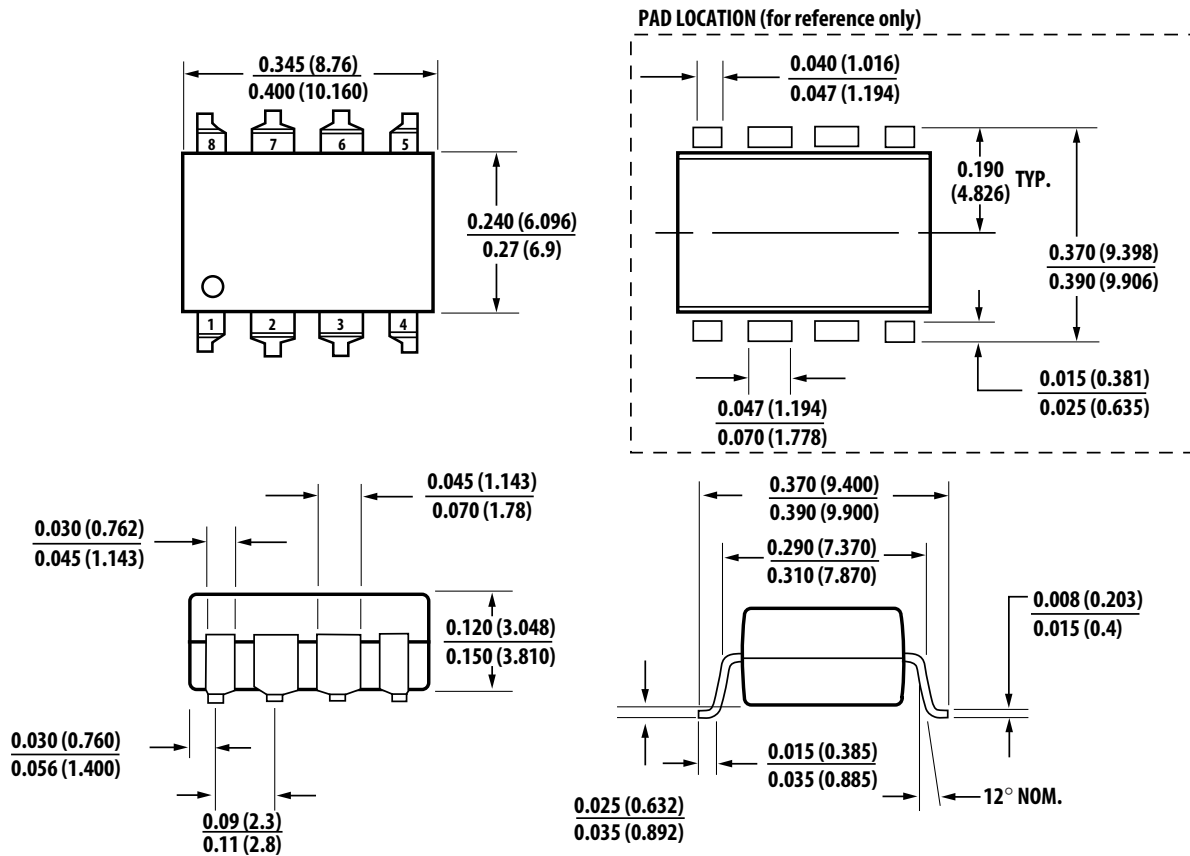
Package Outline Drawings

HCPL-9000, HCPL-9030, and HCPL-9031 Standard DIP Packages



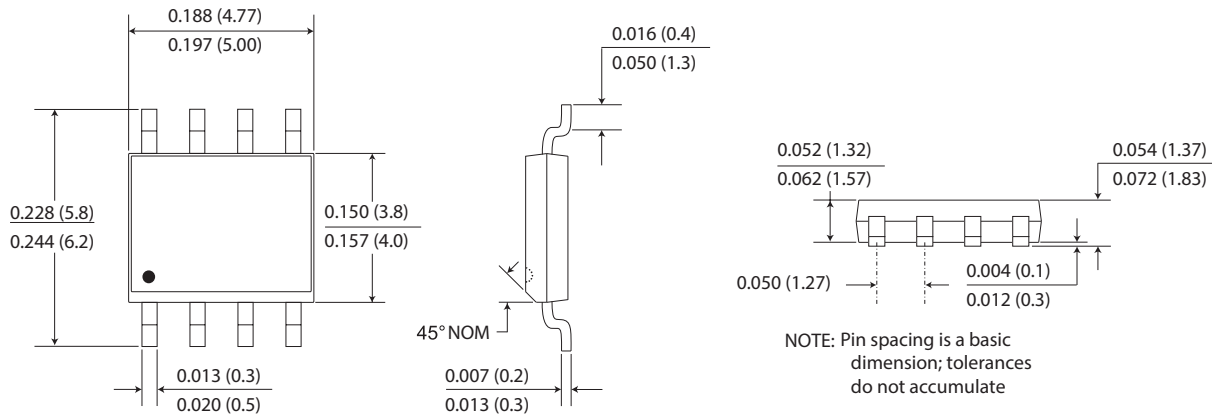
Dimensions: inches (mm); scale = approx. 2.5X

HCPL-9000, HCPL-9030 and HCPL-9031 Gull Wing Surface Mount Option 300



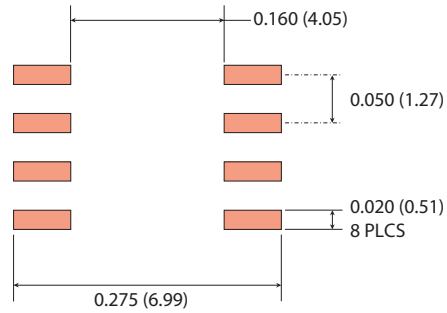
DIMENSIONS INCHES (MILLIMETERS) $\frac{\text{MIN}}{\text{MAX}}$
 LEAD COPLANARITY = 0.004 INCHES (0.10 mm)

HCPL-0900, HCPL-0930 and HCPL-0931 Small Outline SO-8 Package



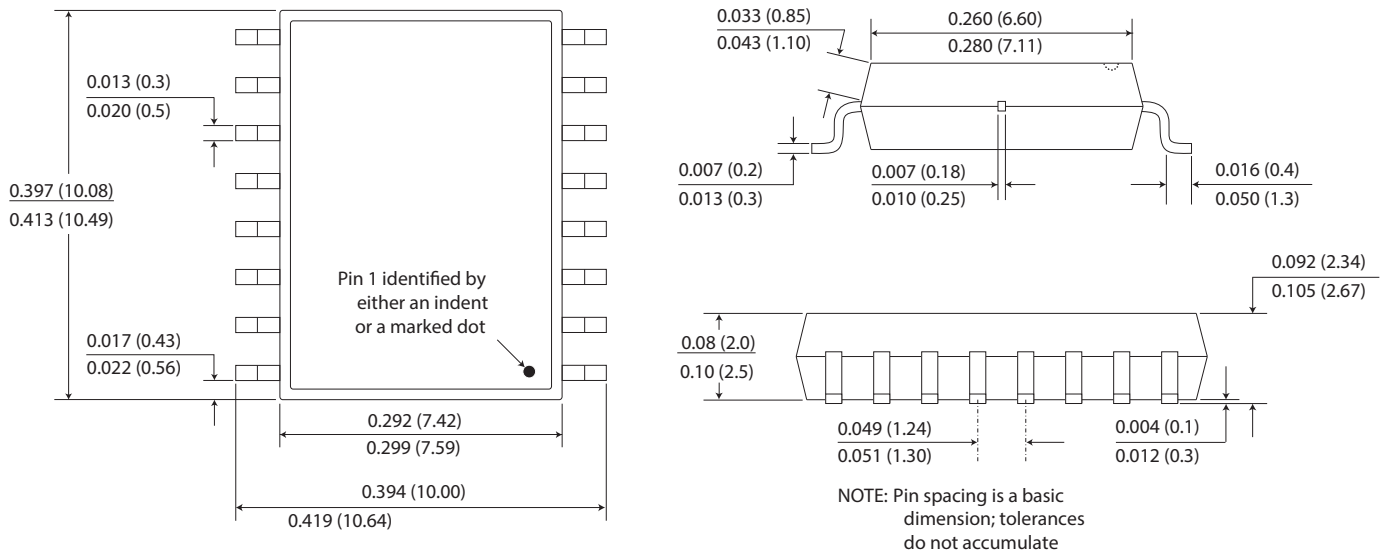
Dimensions: inches (mm); scale = approx. 5X

Pad Layout



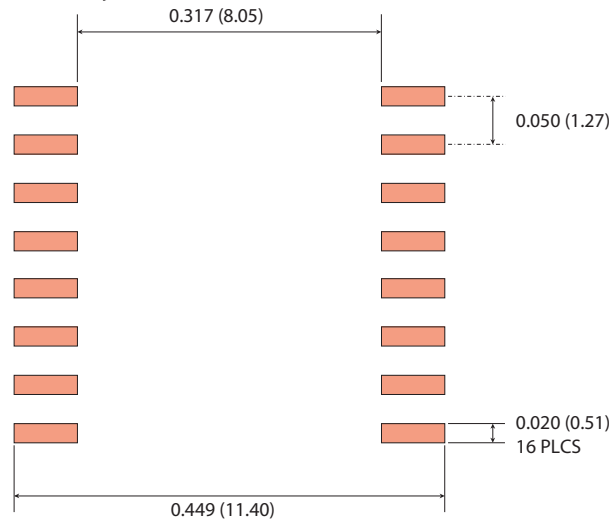
Dimensions: inches (mm); scale = approx. 5X

HCPL-900J, HCPL-901J and HCPL-902J Wide Body SOIC-16 Package



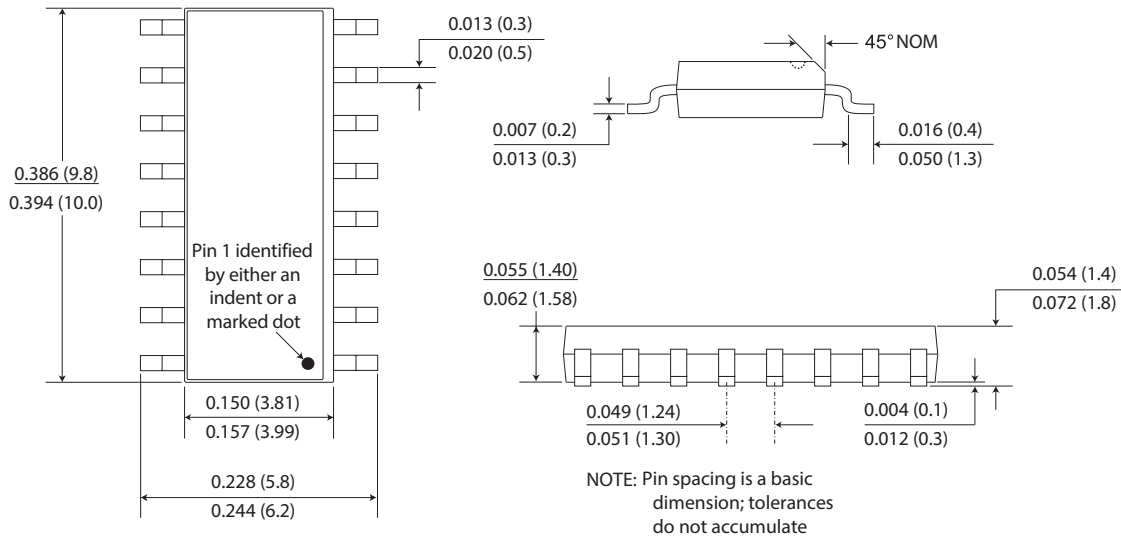
Dimensions: inches (mm); scale = approx. 5X

Pad Layout



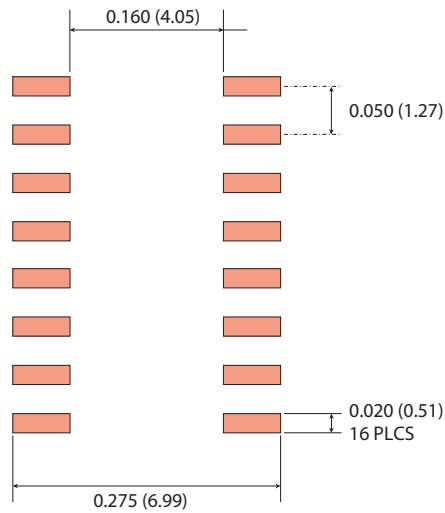
Dimensions: inches (mm); scale = approx. 5X

HCPL-090J, HCPL-091J and HCPL-092J Narrow Body SOIC-16 Package



Dimensions: inches (mm); scale = approx. 5X

Pad Layout



Dimensions: inches (mm); scale = approx. 5X

Package Characteristics

Parameter	Symbol	Min.	Typ.	Max.	Unit	Test Conditions
Capacitance (Input-Output) ^a	C_{I-O}				pF	f = 1 MHz.
Single Channel		—	1.1	—		
Dual Channel		—	2.0	—		
Quad Channel		—	4.0	—		
Thermal Resistance	θ_{JCT}				°C/W	Thermocouple located at center underside of package.
8-Pin PDIP		—	54	—		
8-Pin SOIC		—	144	—		
16-Pin SOIC Narrow Body		—	41	—		
16-Pin SOIC Wide Body		—	28	—		
Package Power Dissipation	P_{PD}				mW	
8-Pin PDIP		—	—	150		
8-Pin SOIC		—	—	150		
16-Pin SOIC Narrow Body		—	—	150		
16-Pin SOIC Wide Body		—	—	150		

a. Single and dual channels device are considered two-terminal devices: pins 1 to 4 shorted and pins 5 to 8 shorted. Quad channel devices are considered two-terminal devices: pins 1 to 8 shorted and pins 9 to 16 shorted.

Note: This product has been tested for electrostatic sensitivity to the limits stated in the specifications. However, Broadcom recommends that all integrated circuits be handled with appropriate care to avoid damage. Damage caused by inappropriate handling or storage could range from performance degradation to complete failure.

Insulation and Safety Related Specifications

Parameter	Condition	Min.	Typ.	Max.	Unit
Barrier Resistance Capacitance					Ω pF
Single Channel		—	$>10^{14}$ 3	—	
Dual Channel		—	$>10^{14}$ 3	—	
Quad Channel		—	$>10^{14}$ 7	—	
Creepage Distance (External)					mm
8-Pin PDIP		7.04	—	—	
8-Pin SOIC		4.04	—	—	
16-Pin SOIC Narrow Body		4.03	—	—	
16-Pin SOIC Wide Body		8.08	—	—	
Leakage Current	240 V _{rms} , 60 Hz	—	0.2	—	μ A

IEC61010-1 Insulation Characteristics

Description	Symbol	HCPL-0900 HCPL-0930 HCPL-090J HCPL-091J HCPL-092J	HCPL-9000 HCPL-9030 HCPL-900J HCPL-901J HCPL-902J	Unit
Installation classification per DIN VDE 0110/1.89, Table 1				
For Rated Mains Voltage $\leq 150 V_{rms}$		I – III	I – IV	
For Rated Mains Voltage $\leq 300 V_{rms}$			I – III	
Pollution Degree (DIN VDE 0110/1.89)		2	2	
Maximum Working Insulation Voltage	V_{IORM}	150	300	V_{rms}

Soldering Profile

The recommended reflow soldering conditions are per JEDEC Standard J-STD-020 (latest revision).

Absolute Maximum Ratings

Parameter	Symbol	Min.	Max.	Unit
Storage Temperature	T_S	-55	150	$^{\circ}C$
Ambient Operating Temperature ^a	T_A	-55	125	$^{\circ}C$
Supply Voltage	V_{DD1}, V_{DD2}	-0.5	7	V
Input Voltage	\bar{V}_{IN}	-0.5	$V_{DD1} + 0.5$	V
Voltage Output Enable (HCPL-9000/-0900)	V_{OE}	-0.5	$V_{DD2} + 0.5$	V
Output Voltage	V_{OUT}	-0.5	$V_{DD2} + 0.5$	V
Output Current Drive	I_{OUT}	—	10	mA
Lead Solder Temperature (10s)		—	260	$^{\circ}C$
ESD		2 kV Human Body Model		

a. Absolute maximum ambient operating temperature means the device will not be damaged if operated under these conditions. It does not guarantee performance.

Recommended Operating Conditions

Parameter	Symbol	Min.	Max.	Unit
Ambient Operating Temperature	T_A	-40	100	$^{\circ}C$
Supply Voltage	V_{DD1}, V_{DD2}	3.0	5.5	V
Logic High Input Voltage	V_{IH}	2.4	V_{DD1}	V
Logic Low Input Voltage	V_{IL}	0	0.8	V
Input Signal Rise and Fall Times	t_{IR}, t_{IF}	—	1	μs

Note: This product has been tested for electrostatic sensitivity to the limits stated in the specifications. However, Broadcom recommends that all integrated circuits be handled with appropriate care to avoid damage. Damage caused by inappropriate handling or storage could range from performance degradation to complete failure.

3.3V Operation: Electrical Specifications

Test conditions that are not specified can be anywhere within the recommended operating range. All typical specifications are at $T_A = +25^\circ\text{C}$, $V_{DD1} = V_{DD2} = +3.3\text{V}$.

Parameter	Symbol	Min.	Typ.	Max.	Unit	Test Conditions
Quiescent Supply Current 1	I_{DD1}				mA	$V_{IN} = 0\text{V}$
HCPL-9000/-0900		—	0.008	0.01		
HCPL-9030/-0930		—	0.008	0.01		
HCPL-9031/-0931		—	1.5	2.0		
HCPL-900J/-090J		—	0.018	0.02		
HCPL-901J/-091J		—	3.3	4.0		
HCPL-902J/-092J		—	1.5	2.0		
Quiescent Supply Current 2	I_{DD2}				mA	$V_{IN} = 0\text{V}$
HCPL-9000/-0900		—	3.3	4.0		
HCPL-9030/-0930		—	3.3	4.0		
HCPL-9031/-0931		—	1.5	2.0		
HCPL-900J/-090J		—	5.5	8.0		
HCPL-901J/-091J		—	3.3	4.0		
HCPL-902J/-092J		—	3.0	6.0		
Logic Input Current	I_{IN}	-10	—	10	μA	
Logic High Output Voltage	V_{OH}	$V_{DD2} - 0.1$	V_{DD2}	—	V	$I_{OUT} = -20\ \mu\text{A}$, $V_{IN} = V_{IH}$
		$0.8 * V_{DD2}$	$V_{DD2} - 0.5$	—	V	$I_{OUT} = -4\ \text{mA}$, $V_{IN} = V_{IH}$
Logic Low Output Voltage	V_{OL}	—	0	0.1	V	$I_{OUT} = 20\ \mu\text{A}$, $V_{IN} = V_{IL}$
		—	0.5	0.8	V	$I_{OUT} = 4\ \text{mA}$, $V_{IN} = V_{IL}$
Switching Specifications						
Maximum Data Rate		100	110	—	MBd	$C_L = 15\ \text{pF}$
Clock Frequency	f_{max}	—	—	50	MHz	
Propagation Delay Time to Logic Low Output	t_{PHL}	—	12	18	ns	
Propagation Delay Time to Logic High Output	t_{PLH}	—	12	18	ns	
Pulse Width	t_{PW}	10	—	—	ns	
Pulse Width Distortion ^a $ t_{PHL} - t_{PLH} $	$ PWD $	—	2	3	ns	
Propagation Delay Skew ^b	t_{PSK}	—	4	6	ns	
Output Rise Time (10% to 90%)	t_R	—	2	4	ns	
Output Fall Time (10% to 90%)	t_F	—	2	4	ns	
Propagation Delay Enable to Output (Single Channel)						
High to High Impedance	t_{PHZ}	—	3	5	ns	
Low to High Impedance	t_{PLZ}	—	3	5	ns	
High Impedance to High	t_{PZH}	—	3	5	ns	
High Impedance to Low	t_{PZL}	—	3	5	ns	
Channel-to-Channel Skew (Dual and Quad Channels)	t_{CSK}	—	2	3	ns	

Parameter	Symbol	Min.	Typ.	Max.	Unit	Test Conditions
Common Mode Transient Immunity (Output Logic High or Logic Low) ^c	CM _H , CM _L	15	18	—	kV/μs	V _{cm} = 1000V

- PWD is defined as |t_{PHL} - t_{PLH}|. %PWD is equal to the PWD divided by the pulse width.
- t_{PSK} is equal to the magnitude of the worst-case difference in t_{PHL} and/or t_{PLH} that will be seen between units at 25°C.
- CM_H is the maximum common mode voltage slew rate that can be sustained while maintaining V_{OUT} > 0.8V_{DD2}. CM_L is the maximum common mode input voltage that can be sustained while maintaining V_{OUT} < 0.8V. The common mode voltage slew rates apply to both rising and falling common mode voltage edges.

Note: This product has been tested for electrostatic sensitivity to the limits stated in the specifications. However, Broadcom recommends that all integrated circuits be handled with appropriate care to avoid damage. Damage caused by inappropriate handling or storage could range from performance degradation to complete failure.

5V Operation: Electrical Specifications

Test conditions that are not specified can be anywhere within the recommended operating range. All typical specifications are at T_A = +25°C, V_{DD1} = V_{DD2} = +5.0V.

Parameter	Symbol	Min.	Typ.	Max.	Unit	Test Conditions
Quiescent Supply Current 1	I _{DD1}				mA	V _{IN} = 0V
HCPL-9000/-0900		—	0.012	0.018		
HCPL-9030/-0930		—	0.012	0.018		
HCPL-9031/-0931		—	2.5	3.0		
HCPL-900J/-090J		—	0.024	0.036		
HCPL-901J/-091J		—	5.0	6.0		
HCPL-902J/-092J		—	2.5	3.0		
Quiescent Supply Current 2	I _{DD2}				mA	V _{IN} = 0V
HCPL-9000/-0900		—	5.0	6.0		
HCPL-9030/-0930		—	5.0	6.0		
HCPL-9031/-0931		—	2.5	3.0		
HCPL-900J/-090J		—	8.0	12.0		
HCPL-901J/-091J		—	5.0	6.0		
HCPL-902J/-092J		—	6.0	9.0		
Logic Input Current	I _{IN}	-10	—	10	μA	
Logic High Output Voltage	V _{OH}	V _{DD2} - 0.1	V _{DD2}	—	V	I _{OUT} = -20 μA, V _{IN} = V _{IH}
		0.8 * V _{DD2}	V _{DD2} - 0.5	—	V	I _{OUT} = -4 mA, V _{IN} = V _{IH}
Logic Low Output Voltage	V _{OL}	—	0	0.1	V	I _{OUT} = 20 μA, V _{IN} = V _{IL}
		—	0.5	0.8	V	I _{OUT} = 4 mA, V _{IN} = V _{IL}

Parameter	Symbol	Min.	Typ.	Max.	Unit	Test Conditions
Switching Specifications						
Maximum Data Rate		100	110	—	MBd	$C_L = 15 \text{ pF}$
Clock Frequency	f_{max}	—	—	50	MHz	
Propagation Delay Time to Logic Low Output	t_{PHL}	—	10	15	ns	
Propagation Delay Time to Logic High Output	t_{PLH}	—	10	15	ns	
Pulse Width	t_{PW}	10	—	—	ns	
Pulse Width Distortion ^a $ t_{PHL} - t_{PLH} $	$ PWD $	—	2	3	ns	
Propagation Delay Skew ^b	t_{PSK}	—	4	6	ns	
Output Rise Time (10% to 90%)	t_R	—	1	3	ns	
Output Fall Time (10% to 90%)	t_F	—	1	3	ns	
Propagation Delay Enable to Output (Single Channel)						
High to High Impedance	t_{PHZ}	—	3	5	ns	
Low to High Impedance	t_{PLZ}	—	3	5	ns	
High Impedance to High	t_{PZH}	—	3	5	ns	
High Impedance to Low	t_{PZL}	—	3	5	ns	
Channel-to-Channel Skew (Dual and Quad Channels)	t_{CSK}	—	2	3	ns	
Common Mode Transient Immunity (Output Logic High or Logic Low) ^c	$ CM_H $, $ CM_L $	15	18	—	kV/ μ s	$V_{cm} = 1000V$

- a. PWD is defined as $|t_{PHL} - t_{PLH}|$. %PWD is equal to the PWD divided by the pulse width.
- b. t_{PSK} is equal to the magnitude of the worst-case difference in t_{PHL} and/or t_{PLH} that will be seen between units at 25°C.
- c. CM_H is the maximum common mode voltage slew rate that can be sustained while maintaining $V_{OUT} > 0.8V_{DD2}$. CM_L is the maximum common mode input voltage that can be sustained while maintaining $V_{OUT} < 0.8V$. The common mode voltage slew rates apply to both rising and falling common mode voltage edges.

Note: This product has been tested for electrostatic sensitivity to the limits stated in the specifications. However, Broadcom recommends that all integrated circuits be handled with appropriate care to avoid damage. Damage caused by inappropriate handling or storage could range from performance degradation to complete failure.

Mixed 5V/3.3V or 3.3V/5V Operation: Electrical Specifications

Test conditions that are not specified can be anywhere within the recommended operating range. All typical specifications are at $T_A = +25^\circ\text{C}$, $V_{DD1} = +5.0V$, $V_{DD2} = +3.3V$.

Parameter	Symbol	Min.	Typ.	Max.	Unit	Test Conditions
Quiescent Supply Current 1	I_{DD1}				mA	$V_{IN} = 0V$
HCPL-9000/-0900		—	0.012	0.018		
HCPL-9030/-0930		—	0.012	0.018		
HCPL-9031/-0931		—	2.5	3.0		
HCPL-900J/-090J		—	0.024	0.036		
HCPL-901J/-091J		—	5.0	6.0		
HCPL-902J/-092J		—	2.5	3.0		

Parameter	Symbol	Min.	Typ.	Max.	Unit	Test Conditions
Quiescent Supply Current 2	I_{DD2}				mA	$V_{IN} = 0V$
HCPL-9000/-0900		—	5.0	6.0		
HCPL-9030/-0930		—	5.0	6.0		
HCPL-9031/-0931		—	2.5	3.0		
HCPL-900J/-090J		—	8.0	12.0		
HCPL-901J/-091J		—	5.0	6.0		
HCPL-902J/-092J		—	6.0	9.0		
Logic Input Current	I_{IN}	-10	—	10	μA	
Logic High Output Voltage	V_{OH}	$V_{DD2} - 0.1$	V_{DD2}	—	V	$I_{OUT} = -20 \mu A, V_{IN} = V_{IH}$
		$0.8 * V_{DD2}$	$V_{DD2} - 0.5$	—	V	$I_{OUT} = -4 mA, V_{IN} = V_{IH}$
Logic Low Output Voltage	V_{OL}	—	0	0.1	V	$I_{OUT} = 20 \mu A, V_{IN} = V_{IL}$
		—	0.5	0.8	V	$I_{OUT} = 4 mA, V_{IN} = V_{IL}$
Switching Specifications						
Maximum Data Rate		100	110	—	MBd	$C_L = 15 pF$
Clock Frequency	f_{max}	—	—	50	MHz	
Propagation Delay Time to Logic Low Output	t_{PHL}	—	12	18	ns	
Propagation Delay Time to Logic High Output	t_{PLH}	—	12	18	ns	
Pulse Width	t_{PW}	10	—	—	ns	
Pulse Width Distortion ^a $ t_{PHL} - t_{PLH} $	$ PWD $	—	2	3	ns	
Propagation Delay Skew ^b	t_{PSK}	—	4	6	ns	
Output Rise Time (10% to 90%)	t_R	—	2	4	ns	
Output Fall Time (10% to 90%)	t_F	—	2	4	ns	
Propagation Delay Enable to Output (Single Channel)						
High to High Impedance	t_{PHZ}	—	3	5	ns	
Low to High Impedance	t_{PLZ}	—	3	5	ns	
High Impedance to High	t_{PZH}	—	3	5	ns	
High Impedance to Low	t_{PZL}	—	3	5	ns	
Channel-to-Channel Skew (Dual and Quad Channels)	t_{CSK}	—	2	3	ns	
Common Mode Transient Immunity (Output Logic High or Logic Low) ^c	$ CM_H $, $ CM_L $	15	18		kV/ μs	$V_{cm} = 1000V$

a. PWD is defined as $|t_{PHL} - t_{PLH}|$. %PWD is equal to the PWD divided by the pulse width.

b. t_{PSK} is equal to the magnitude of the worst-case difference in t_{PHL} and/or t_{PLH} that will be seen between units at 25°C.

c. CM_H is the maximum common mode voltage slew rate that can be sustained while maintaining $V_{OUT} > 0.8V_{DD2}$. CM_L is the maximum common mode input voltage that can be sustained while maintaining $V_{OUT} < 0.8V$. The common mode voltage slew rates apply to both rising and falling common mode voltage edges.

Note: This product has been tested for electrostatic sensitivity to the limits stated in the specifications. However, Broadcom recommends that all integrated circuits be handled with appropriate care to avoid damage. Damage caused by inappropriate handling or storage could range from performance degradation to complete failure.

Application Information

Power Consumption

The HCPL-90xx and HCPL-09xx CMOS digital isolators achieves low power consumption from the manner by which they transmit data across isolation barrier. By detecting the edge transitions of the input logic signal and converting this to a narrow current pulse, which drives the isolation barrier, the isolator then latches the input logic state in the output latch. Since the current pulses are narrow, about 2.5 ns wide, the power consumption is independent of mark-to-space ratio and solely dependent on frequency.

The approximate power supply current per channel is:

$$I(\text{Input}) = 40(f/f_{\text{max}})(1/4) \text{ mA}$$

where f = operating frequency, $f_{\text{max}} = 50 \text{ MHz}$.

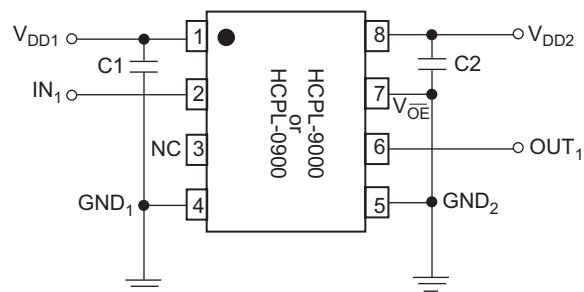
Signal Status on Start-up and Shut Down

To minimize power dissipation, the input signals to the channels of HCPL-90xx and HCPL-09xx digital isolators are differentiated and then latched on the output side of the isolation barrier to reconstruct the signal. This could result in an ambiguous output state depending on power up, shutdown, and power loss sequencing. Therefore, the designer should consider the inclusion of an initialization signal in this start-up circuit. Initialization consists of toggling the input either high then low or low then high.

Bypassing and PC Board Layout

The HCPL-90xx and HCPL-09xx digital isolators are extremely easy to use. No external interface circuitry is required because the isolators use high-speed CMOS IC technology allowing CMOS logic to be connected directly to the inputs and outputs. As shown in [Figure 1](#), the only external components required for proper operation are low ESR 47 nF ceramic capacitors for decoupling the power supplies. Ground planes for both GND_1 and GND_2 are highly recommended for data rates above 10 Mb/s. Capacitors must be located as close as possible to the V_{DD} pins.

Figure 1: Functional Diagram of Single Channel HCPL-0900 or HCPL-0900

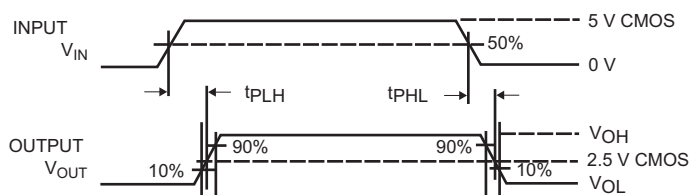


Note: C1, C2 = 47 nF ceramic capacitors.

Propagation Delay, Pulse Width Distortion and Propagation Delay Skew

Propagation Delay is a figure of merit, which describes how quickly a logic signal propagates through a system as illustrated in Figure 2.

Figure 2: Timing Diagram to Illustrate Propagation Delay, t_{PLH} and t_{PHL}



The propagation delay from low to high, t_{PLH} , is the amount of time required for an input signal to propagate to the output, causing the output to change from low to high. Similarly, the propagation delay from high to low, t_{PHL} , is the amount of time required for the input signal to propagate to the output, causing the output to change from high to low.

Pulse Width Distortion, PWD, is the difference between t_{PHL} and t_{PLH} and often determines the maximum data rate capability of a transmission system. PWD can be expressed in percent by dividing the PWD (in ns) by the minimum pulse width (in ns) being transmitted. Typically, PWD on the order of 20% to 30% of the minimum pulse width is tolerable.

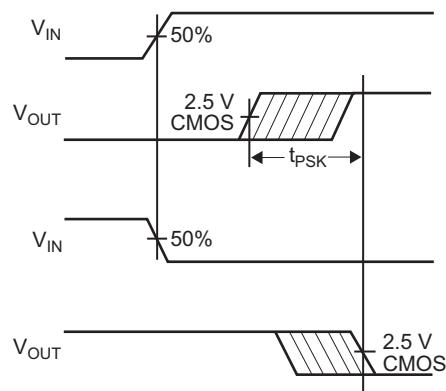
Propagation Delay Skew, t_{PSK} , and Channel-to-Channel Skew, t_{CSK} , are critical parameters to consider in parallel data transmission applications where synchronization of signals on parallel data lines is a concern. If the parallel data is being sent through channels of the digital isolators, differences in propagation delays will cause the data to arrive at the outputs of the digital isolators at different times. If this difference in propagation delay is large enough, it will limit the maximum transmission rate at which parallel data can be sent through the digital isolators.

t_{PSK} is defined as the difference between the minimum and maximum propagation delays, either t_{PLH} or t_{PHL} , among two or more devices that are operating under the same conditions (i.e., the same drive current, supply voltage, output load, and operating temperature). t_{CSK} is defined as the difference between the minimum and maximum

propagation delays, either t_{PLH} or t_{PHL} , among two or more channels within a single device (applicable to dual and quad channel devices) that are operating under the same conditions.

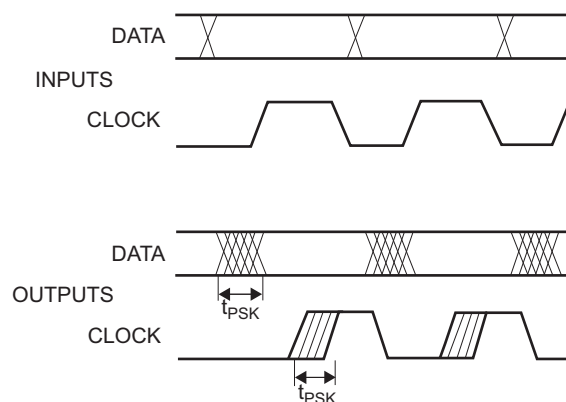
As illustrated in Figure 3, if the inputs of two or more devices are switched either ON or OFF at the same time, t_{PSK} is the difference between the minimum propagation delay, either t_{PLH} or t_{PHL} , and the maximum propagation delay, either t_{PLH} or t_{PHL} .

Figure 3: Timing Diagram to Illustrate Propagation Delay Skew



As mentioned previously, t_{PSK} , can determine the maximum parallel data transmission rate. Figure 4 shows the timing diagram of a typical parallel data transmission application with both the clock and data lines being sent through the digital isolators. The figure shows data and clock signals at the inputs and outputs of the digital isolators. In this case, the data is clocked off the rising edge of the clock.

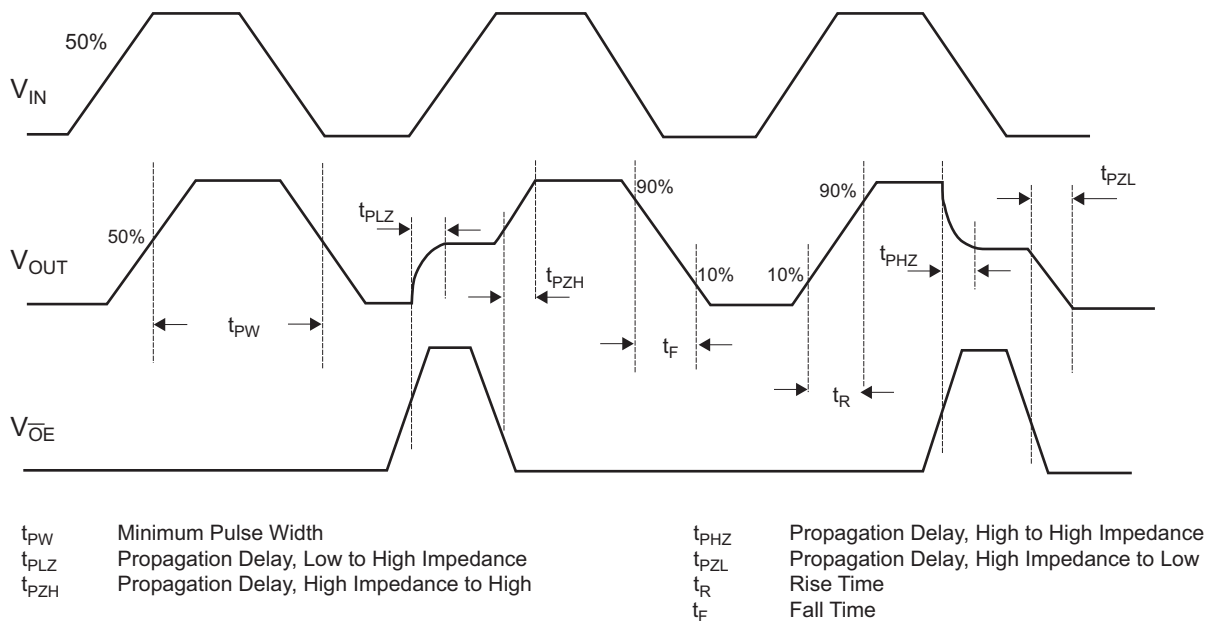
Figure 4: Parallel Data Transmission



Propagation delay skew represents the uncertainty of where an edge might be after being sent through a digital isolator. Figure 4 shows that there will be uncertainty in both the data and clock lines. It is important that these two areas of uncertainty not overlap. Otherwise, the clock signal might arrive before all of the data outputs have settled, or some of the data outputs might start to change before the clock signal has arrived. From these considerations, the absolute minimum pulse width that can be sent through digital isolators in a parallel application is twice t_{PSK} . A cautious design should use a slightly longer pulse width to ensure that any additional uncertainty in the rest of the circuit does not cause a problem.

Figure 5 shows the minimum pulse width, rise and fall time, and propagation delay enable to output waveforms for HCPL-9000 or HCPL-0900.

Figure 5: Timing Diagram to Illustrate the Minimum Pulse Width, Rise and Fall Time, and Propagation Delay Enable to Output Waveforms for HCPL9000 or HCPL-0900



Broadcom, the pulse logo, Connecting everything, Avago Technologies, Avago, and the A logo are among the trademarks of Broadcom and/or its affiliates in the United States, certain other countries, and/or the EU.

Copyright © 2005–2018 Broadcom. All Rights Reserved.

The term “Broadcom” refers to Broadcom Inc. and/or its subsidiaries. For more information, please visit www.broadcom.com.

Broadcom reserves the right to make changes without further notice to any products or data herein to improve reliability, function, or design. Information furnished by Broadcom is believed to be accurate and reliable. However, Broadcom does not assume any liability arising out of the application or use of this information, nor the application or use of any product or circuit described herein, neither does it convey any license under its patent rights nor the rights of others.

