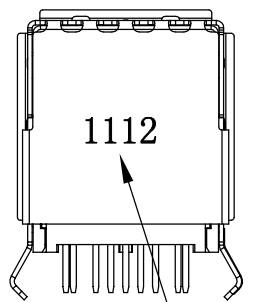
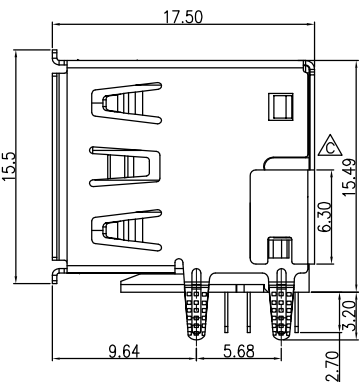
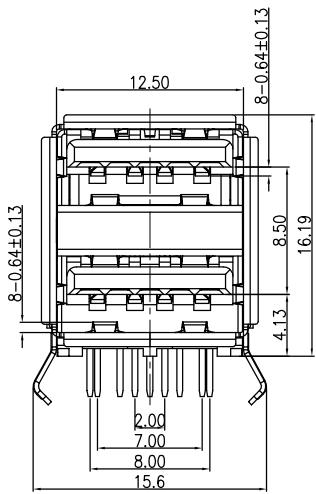
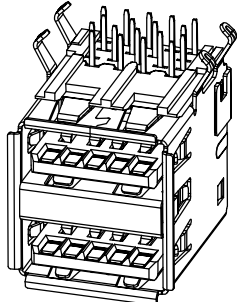
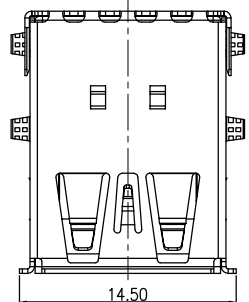


REV.	ECN.NO.	APPD.
B	/	XCC
C	/	Lin L
A2	/	Lin R



DATE

1112

表示12月
表示2011年

Remark:

1.MATERIAL:

- 1.1 Housing:thermoplastic plastics.
- 1.2 terminals:Copper Alloy
- 1.3 Front Shell:Copper Alloy/SPCC.
Middle Shell:SPCC

2.characteristics:

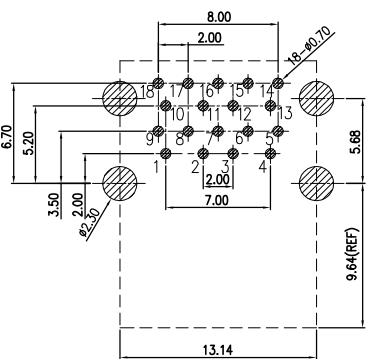
- 2.1 Rating Voltage : 30V AC.
- 2.2 Rating Current:PIN1&PIN4(Vbus&Corresponding ground PIN)
1.8A MAX Other PINS 0.25A min.
- 2.3 Contact Resistance:PIN1&PIN4:30 mΩ MAX. Other PINS: 50 mΩ
- 2.4 Insulation Resistance:100 MΩ MIN.
- 2.5 Withstanding Voltage:AC 100V between adjacent contacts

△ 2.6 MECHANICAL CHARACTERISTIC:

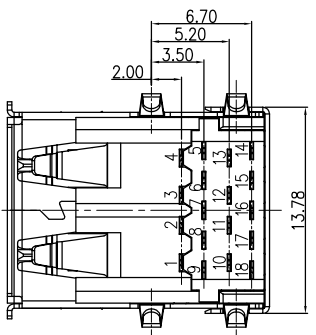
- INSERTION FORCE:35N MAX
- EXTRACTION FORCE (INITIAL) : 10N MIN
- EXTRACTION FORCE (AFTER TEST) :8N MIN

△ 2.7 The lifting weight of the product before durability is 10N Min. 3s

- 2.8 Life test:1500Cycles MIN.
- 2.9 Temperature Range: -30℃~+80℃.



PCB LAYOUT REFERENCE



Pin Number	Signal Name	Pin Number	Signal Name	TOLERANCE UNLESS OTHERWISE SPECIFIED	
1	VBUS	10	VBUS	.XXX ±0.10	.X' ±3' .XX' ±2'
2	D-	11	D-	.XX ±0.25	
3	D+	12	D+	.X ±0.35	
4	GND	13	GND	APPROVED	Lin R
5	StA_SSRX-	14	StA_SSRX-	CHECKED	
6	StA_SSRX+	15	StA_SSRX+	DRAWN	DATE 23/05/21
7	GND_DRAIN	16	GND_DRAIN	DATE	
8	StA_SSTX-	17	StA_SSTX-		UNIT: mm
9	StA_SSTX+	18	StA_SSTX+		
Shell	Shield				SHEET: 1 OF 1



兆星精密电子 (深圳) 有限公司

PART NAME:	Type-A 母座 弯插			
PART No:	ZX-TYPEA-3-WCM99		C	
PROJECTION:	UNIT:	SCALE:	SHEET:	REV.
	mm	1:1	1 OF 1	A2