



## GENERAL SPECIFICATIONS (电气特性)

1. Series model: (系列号)	49S-SMD-2DIP
2. Normal Frequency: (标称频率)	3.579545~32MHz
3. Oscillation Mode: (振动模式)	<input checked="" type="checkbox"/> Fundamental <input type="checkbox"/> 3rd
4. Load Capacitance(CL): (负载电容)	20 PF
5. Frequency Tolerance 25 ± 3°C: (频率偏差 25 ± 3°C)	± 20 PPM
6. Stability Over Temperature Range: (工作温度频率偏差)	± 20 PPM    at -20°C to +70°C
7. Effective Series Resistance: (等效电阻)	3.579545~4.9152MHZ ≤ 120 Ω 5.7520~6.7458MHZ ≤ 80 Ω 7.2~8.704MHZ ≤ 60 Ω 9.216~11.2896MHZ ≤ 40 Ω 12~32MHZ ≤ 30 Ω
8. Shunt Capacitance(C0): (静态电容)	≤ 5 PF
9. Typical drive level: (激励功率)	10 uW    TYP.
10. Operation Temperature Range: (工作温度范围)	-40°C to +85°C
11. Storage Temperature: (存储温度)	-40°C to +85°C
12. Insulation Resistance: (绝缘阻抗)	≥ 500 MΩ    at DC 100V
13. Aging: (老化率)	± 3 PPM/Year
14. Leak (检漏)	1 × 10 <sup>-7</sup> Torr. 1/sec Max
15. Test circuit (测试仪器)	S&A 250B Pi-Network Crystal Measurement System

**Remark (备注):**

晶振最佳储存条件: 温度: 25 ± 5°C, 湿度: < 70%。

密封包装, 切勿挤压, 切勿在 30cm 以上的高度滑落跌落。

## DIMENSIONS SPECIFICATIONS (外形尺寸)



## MARK (印字)



## SODLE REFLOW PROFILE (回流焊曲线)

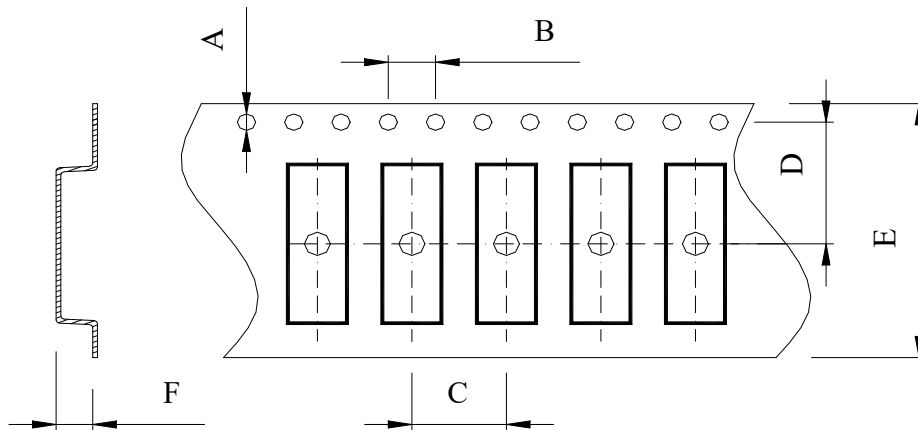


### PACKING (包装)

Shear strength between cover and carrier tape should be 30-100g.

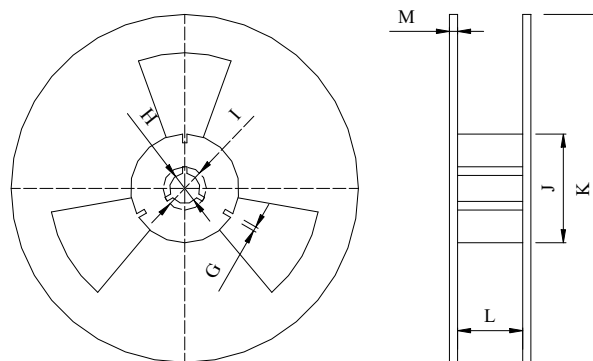
Carrier tape should be folded over three times with no break at all.

### *Tape Dimensions(unit: mm)*



A	B	C	D	E	F
$1.55 \pm 0.05$	$4.0 \pm 0.1$	$8.0 \pm 0.1$	$11.5 \pm 0.1$	$24.0 \pm 0.3$	$4.5 \pm 0.1$

### *Reel Dimensions(unit: mm)*



G	H	I	J	K	L	M
$2.2 \pm 0.5$	$13.0 \pm 0.2$	$20.2 \pm 1.0$	$100.0 \pm 1.0$	$330 \pm 2.0$	$24.5 \pm 0.3$	$2.3 \pm 0.5$

Standard Reel Quantity is **2000 pcs** per reel.