



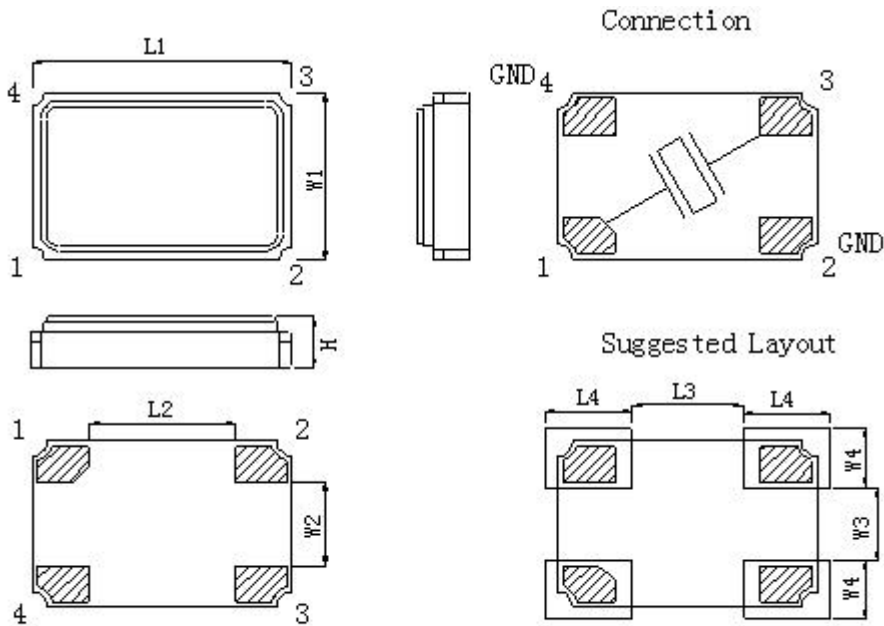
GENERAL SPECIFICATIONS (电气特性)

| | |
|--|--|
| 1. Series model: (系列号) | SMD2016 |
| 2. Normal Frequency: (标称频率) | 16~38.4MHZMHz |
| 3. Oscillation Mode: (振动模式) | <input checked="" type="checkbox"/> Fundamental <input type="checkbox"/> 3rd |
| 4. Load Capacitance(CL): (负载电容) | 8PF,9PF,10PF,12PF |
| 5. Frequency Tolerance 25±3℃: (频率偏差 25±3℃) | ±10PPM |
| 6. Stability Over Temperature Range: (工作温度频率偏差) | ±30 PPM |
| 7. Effective Series Resistance: (等效电阻) | 16MHZ≤80Ω,24~32MHZ≤45Ω,38.4MHZ≤35Ω |
| 8. Shunt Capacitance(C0): (静态电容) | ≤ 5PF |
| 9. Typical drive level: (激励功率) | 10 uW TYP. |
| 10. Operation Temperature Range: (工作温度范围) | -20℃ to +70℃ |
| 11. Storage Temperature: (存储温度) | -20℃ to +70℃ |
| 12. Insulation Resistance: (绝缘阻抗) | ≥500 MΩ at DC 100V |
| 13. Aging: (老化率) | ±3 PPM/Year |
| 14. Leak (检漏) | 1×10 ⁻⁷ Torr.1/sec Max |
| 15. Test circuit (测试仪器) | S&A 250B Pi-Network Crystal Measurement System |

Remark (备注):

晶振最佳储存条件: 温度: 25±5℃, 湿度: <70%。
密封包装, 切勿挤压, 小心跌落。

DIMENSIONS SPECIFICATIONS (外形尺寸)

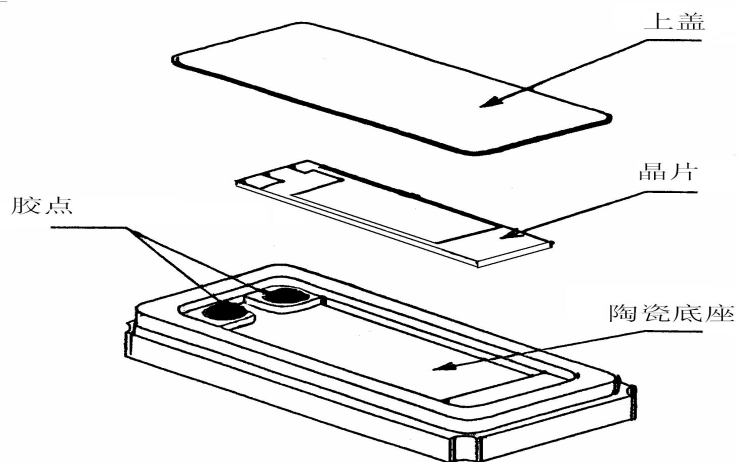


Marking #2and#4 are connected to metal cap of top

| 型号 | 外形尺寸(±0.15mm) | | | | | | | | |
|------|---------------|-----|-----|-----|-----|-----|-----|-----|-----|
| | L1 | L2 | L3 | L4 | W1 | W2 | W3 | W4 | H |
| 5032 | 5.0 | 3.0 | 1.2 | 1.7 | 3.2 | 0.9 | 0.7 | 1.5 | 0.9 |
| 3225 | 3.2 | 1.3 | 0.8 | 1.4 | 2.5 | 0.7 | 0.5 | 1.2 | 0.7 |
| 2520 | 2.5 | 0.9 | 0.6 | 1.1 | 2.0 | 0.6 | 0.4 | 1.0 | 0.5 |
| 2016 | 2.0 | 0.7 | 0.5 | 0.9 | 1.6 | 0.5 | 0.3 | 0.8 | 0.5 |



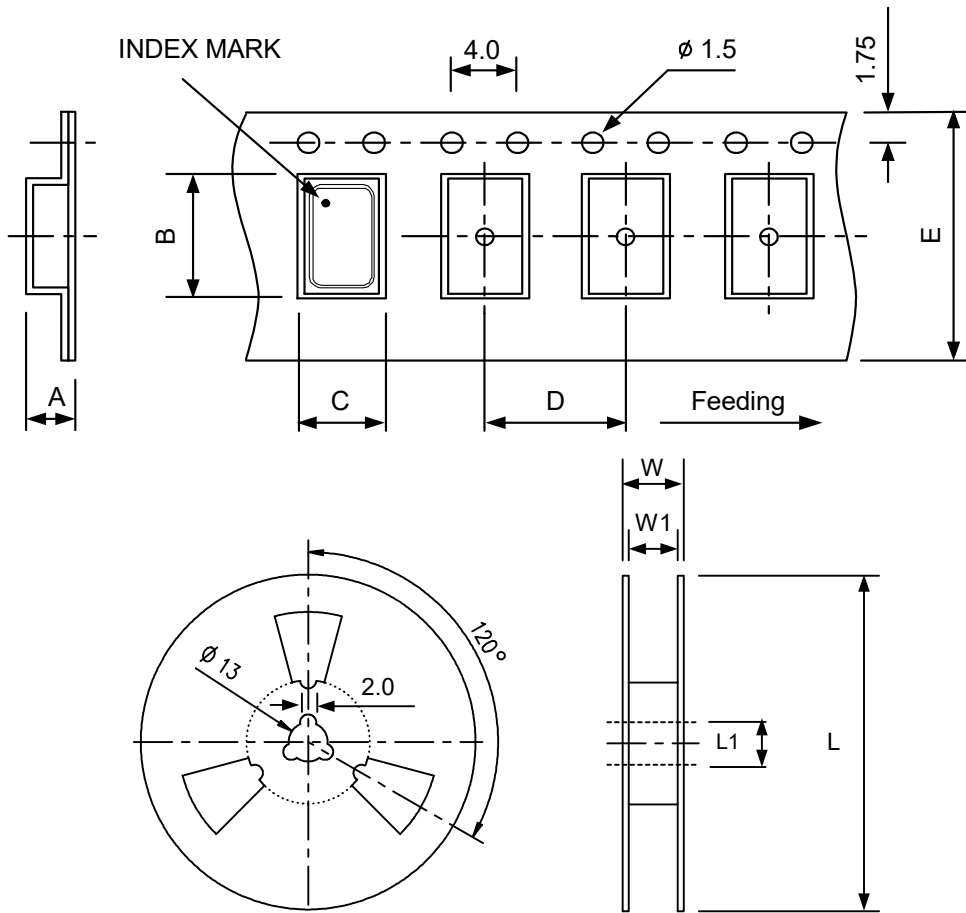
STRUCTURE DIAGRAM (结构图示)



PACKING (包装)

Shear strength between cover and carrier tape should be 30-100g.

Carrier tape should be folded over three times with no break at all.



| DIMENSIONS | | A | B | C | D | E | L | L1 | W | W1 |
|------------|-------------|------------|------------|------------|----------|----------|------------|-----------|-------------|----------|
| | 7050 | 2.15 | 7.9 | 5.4 | 8 | 16 | 180 | 13 | 21.5 | 17.5 |
| | 6035 | 1.5 | 6.4 | 3.9 | 8 | 12 | 180 | 13 | 15.4 | 13 |
| | 5032 | 1.5 | 5.5 | 3.6 | 8 | 12 | 180 | 13 | 15.4 | 13 |
| | 3225 | 1.4 | 3.5 | 2.7 | 4 | 8 | 180 | 13 | 11.5 | 8 |
| | 2520 | 1.2 | 3.4 | 2.5 | 4 | 8 | 180 | 13 | 11.5 | 8 |
| | 2016 | 1.1 | 3.2 | 2.0 | 3 | 8 | 180 | 13 | 11.5 | 8 |

Unit : mm

Standard Reel Quantity is **3000 pcs** per reel.