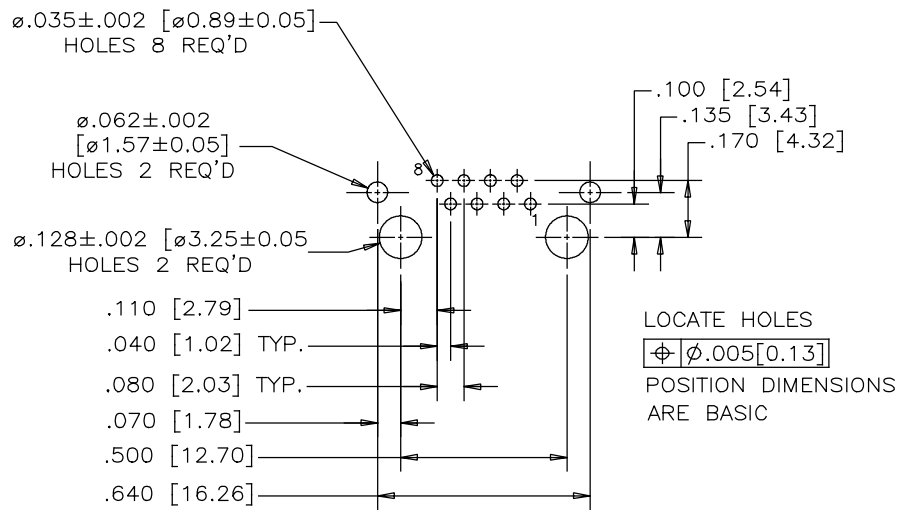
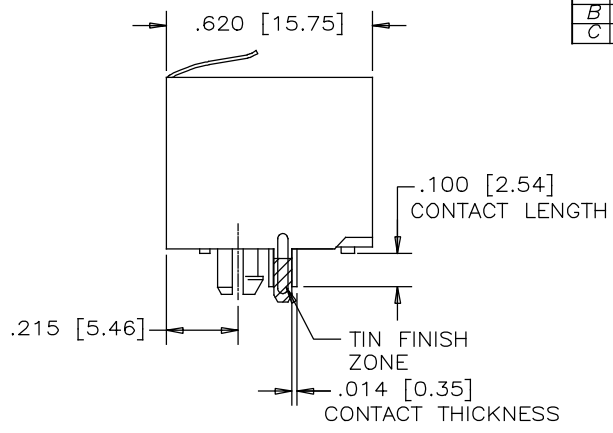
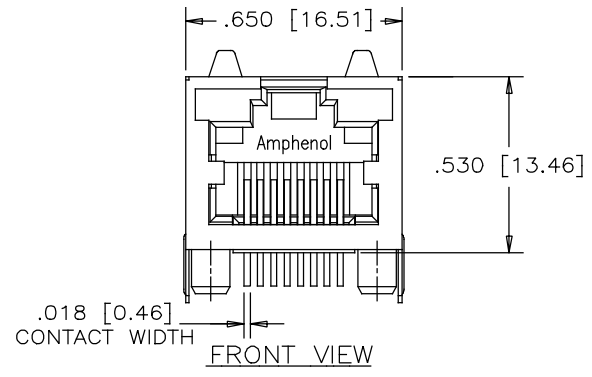
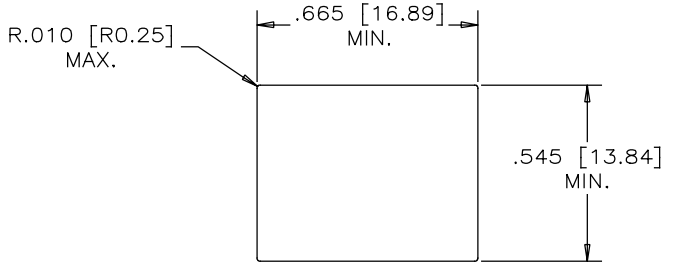


REVISIONS			
REV	DESCRIPTION, ECN, EAR NO.	DATE	APP'D
A	PROPOSAL	JUN 27/16	L.CHAN
B	CHANGE SHIELD TAIL PLATING	MAY 17/17	L.CHAN
C	PROPOSAL DRAWING	JUN 19/18	L.CHAN



RECOMMENDED P.C.B. LAYOUT
(COMPONENT SIDE OF BOARD)
PCB THICKNESS: 0.062±0.002 [1.57±0.05]



RECOMMENDED PANEL CUTOUT

NOTES:

- MATERIALS:
 PLASTIC HOUSING: HIGH TEMPERATURE THERMOPLASTIC
 FLAMMABILITY RATING UL 94V-0, COLOUR: BLACK

 CONTACTS: PHOSPHOR BRONZE
 PLATING: GOLD PLATING ON MATING SURFACES
 SEE PART NO. FOR THICKNESS
 50 μ" [1.27 MICRONS]
 MIN. NICKEL UNDERPLATE
 100 μ" [2.54 MICRONS]
 MIN. MATTE TIN ON CONTACT TAILS.

 SHIELD: STAINLESS STEEL WITH TIN FINISH ON SOLDER TAIL
- RECOMMENDED SOLDERING TEMPERATURE:
 WAVE SOLDERING AT 260°C MAXIMUM FOR 5 SEC MAXIMUM.
- PART NUMBER: RJHSE-X380
 GOLD PLATING
 E = RJ45 FLAT CONTACT 6u"
 G = RJ45 FLAT CONTACT 15u"
 J = RJ45 FLAT CONTACT 30u"
 5 = RJ45 FLAT CONTACT 50u"

UNLESS SPECIFIED OTHERWISE		DRAWN <i>Chang Wei</i>	DATE JUN 27/16	Amphenol Canada Corp. www.amphenolcanada.com
PRIMARY UNITS INCH		CHECKED <i>Lawrence C</i>	DATE JUN 27/16	
SECONDARY MM		M.E. APP'D		TITLE
REFERENCE IN PARENTHESES		Q.A. APP'D		HIGH SPEED, RJ45, MODULAR JACK, 8 POSITION, 8 CONTACTS, SHIELDED WITHOUT LEDs - RoHS COMPLIANT
GENERAL TOLERANCES		DWG APPR.		DWG. NO.
1 DECIMAL PLACE ±0.020		ENG. REL. NO.		P-RJHSE-X380
2 DECIMAL PLACES ±0.015		REF.		REV C
3 DECIMAL PLACES ±0.010		THIRD ANGLE PROJECTION	DO NOT SCALE DRAWING	CODE ID NO. 03554 DWG SIZE: X SCALE: N/A SHEET 1 OF 1
ANGULAR DEGREES ±1.0°				