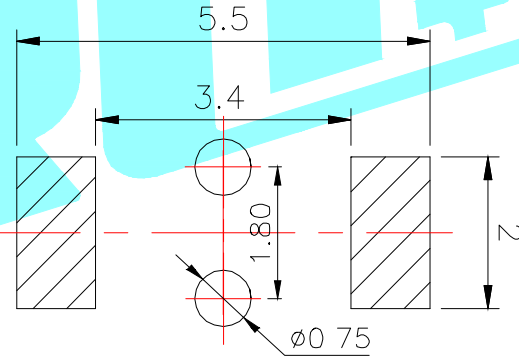
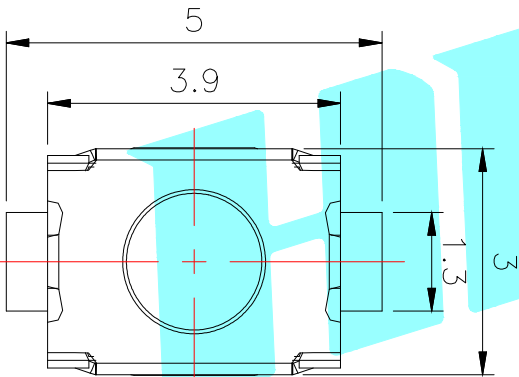
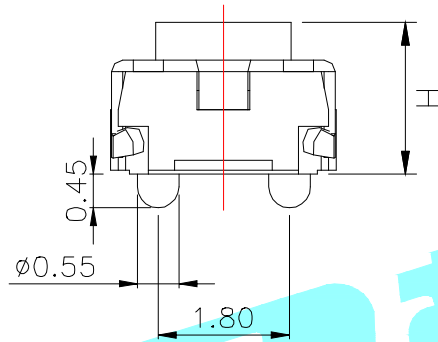
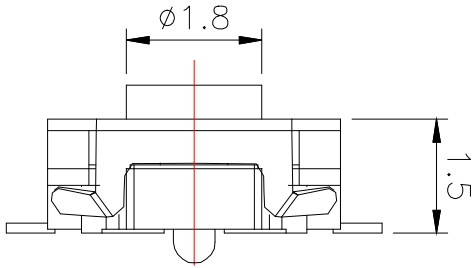
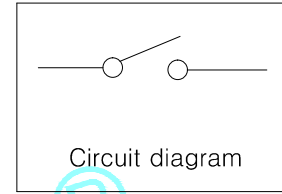


ROHS



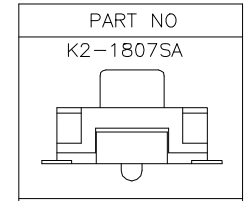
PCB Layout



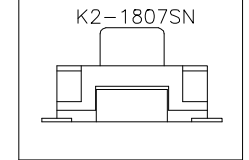
NO.1	
PART NO	H
A	2.0
B	2.5
C	3.0

NO.4-NO.5	
PART NO	NOTE
01~99	SERIAL NUMBER

NO.2	
PART NO	VIGOR
1	90±30
3	180±30
4	250±30



NO.3	
PART NO	MATERIAL/QTY
S	SUS/1PCS
D	SUS/2PCS



⑥	Dust cover	—	1	KAPTON FILM	—	—
⑤	Terminal	—	2	Phosphor copper	Plating silver	—
④	Contact	—	2	F.Ag/SUS	—	—
③	Base	—	1	LCP	Black	—
②	Cover	—	1	SUS	—	—
①	Keystoke	—	1	LCP	Black	—
ITEM	PART NAME	TER'NO.	QTY.	MATERIAL	FINISHING	REMARK

APPROVALS		DATE	HROELECTRONICS® ELECTRONICS CO.,LTD			
DRAWN	LIUCAN	2022.11.24	TITLE:	TACT SWITCHS		
CHECKED			PART NO.	K2-1807S□-□□□W-□□		
APPROVALS			UNIT: mm	SCALE: 1:1	PROJ:	
TOLERANCES ARE	30~以上 10~30 5~10 ~ 5	±0.30 ±0.20 ±0.15 ±0.10	ANGLE	±2'	DRAWING NO.	SHEET 1 OF 1

ECN NO.	REV.	DATE.	DESCRIPTION.	CHANGE.	CHECK.	APPRO.
	A		NEW			