

**BCMA Series**  
Common Mode Filters For Automotive Power Line  
Size 9070



**FEATURES**

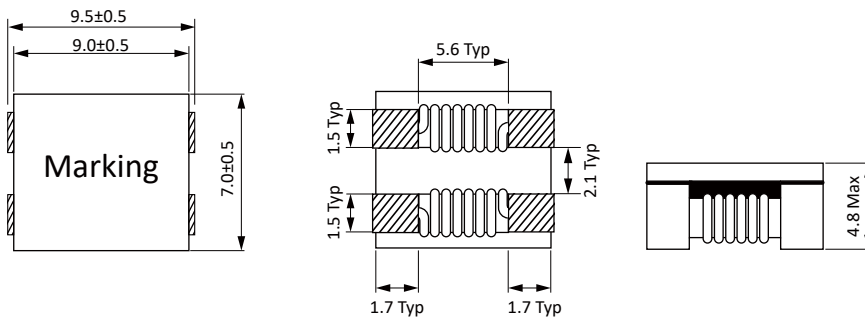
- Exclusive square type closed magnetic core designed as an exclusive core is used, so it can be small while maintaining the same features.
- Low profile design makes it optimal for surface mounting.
- Excellent impedance characteristics, making it great for suppressing common mode noise.
- Maximum 15A can be used in 125°C environments.
- Operating temperature range: -40 to +125°C
- AEC-Q200 qualified
- Quantity: 800pcs

**APPLICATIONS**

- Measures against common mode noise in power lines for various DC power lines, multimedia devices, and various electronic devices

Dimensions: [mm]

Land Pattern: [mm]



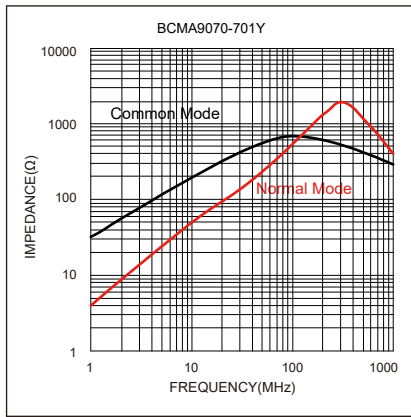
Electrical Properties:

Part No	Impedance Min. (Ω)	Impedance Typ. (Ω)	Test Frequency @0.1V	I <sub>R</sub> Max. (A)	R <sub>DC</sub> Max. (mΩ)	V <sub>DC</sub> Max. (Volts)	IR Min. (MΩ)
BCMA9070-701Y	500	700	100MHz	4.5	10	80	10

Temperature Rise Current: The actual value of DC current when the temperature rise is  $\Delta T=40^{\circ}C$

				UNIT: MM	 KOHER (Shanghai) Electronic Co.,Ltd
				SHEET: 1/2	
				APPROVAL: XC	
A0	19-MAY-23	PDF	WL	SIZE: A4	DESCRIPTION: SMD Low Profile High Current Molded Inductor
REV	DATE	FILE	BY	PACKING UNIT: 800 pcs	PART NO: BCMA9070-701Y

Typical Electrical Characteristics:



				UNIT: MM	<b>KOHERelec</b> KOHER (Shanghai) Electronic Co.,Ltd
				SHEET: 2/2	
				APPROVAL: XC	
A0	19-MAY-23	PDF	WL	SIZE: A4	DESCRIPTION: SMD Low Profile High Current Molded Inductor
REV	DATE	FILE	BY	PACKING UNIT: 800 pcs	PART NO: BCMA9070-701Y