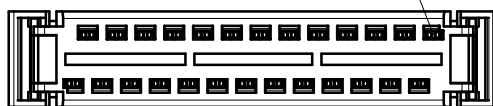
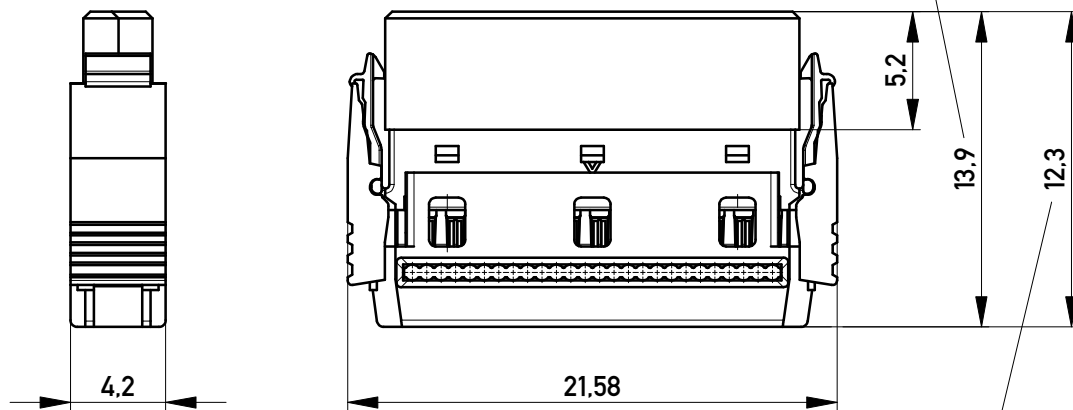


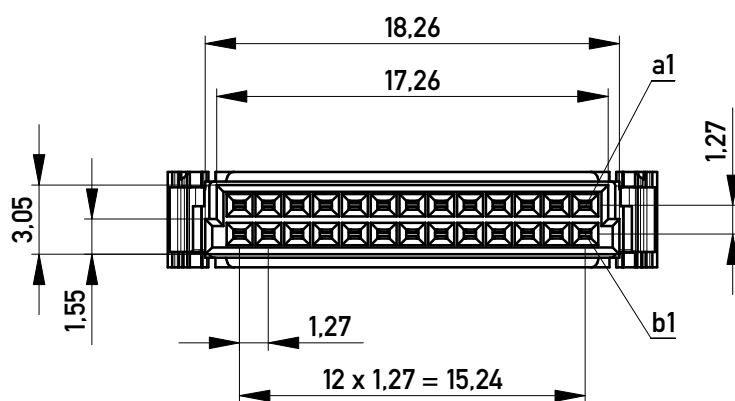
rote Kennader auf b1  
red edge at b1



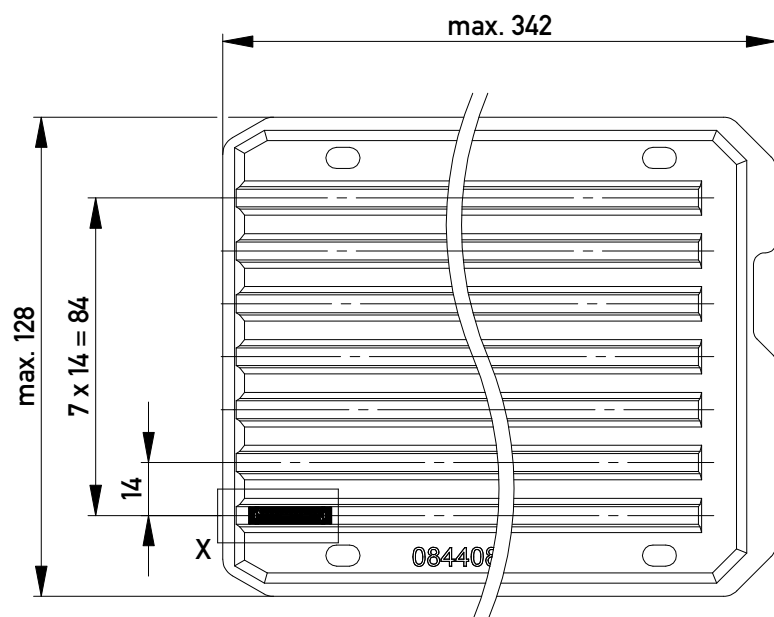
mit aufgesetzter Drahtführung (Anlieferungszustand)  
wire guide losse mounted (state at time of supply)



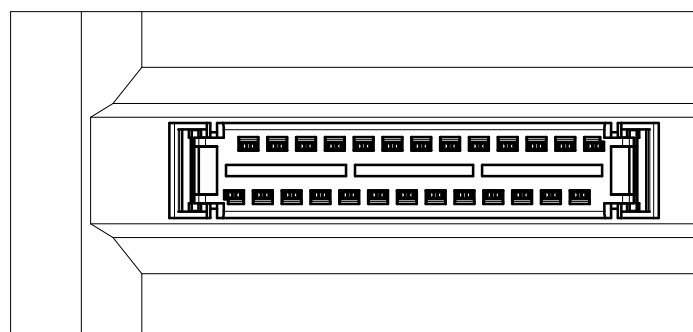
Drahtführung verpresst  
wire guide pressed on



Verpackt in Tray - tray packaging  
Verpackungseinheit 98 Stück - packaging unit 98



Einzelheit X  
detail X

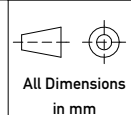


Federleiste mit Schneidklemmanschluß Bauform B, BA 6  
mit Verriegelungsmechanismus (angespritzt)

IDC Female Connector Type B with Locking Latches  
(formed on), BA 6

Information:

Tolerances



Scale 3:1

All rights reserved.  
Only for Information.  
To ensure that this is the latest  
version of this drawing, please  
contact one of the ERNI companies  
before using.

Subject to modification without  
prior notice.  
Drawing will not be updated.

Designation

Federleiste SMC-B, SKV 26-pol.  
Female SMC-B, SKV 26 contacts

Copyright by ERNI GmbH  
Proprietary notice pursuant to ISO 16016 to be observed.



www.ERNI.com

214346

1

A3

b	02.03.2011
Index	Date

Class SMCB