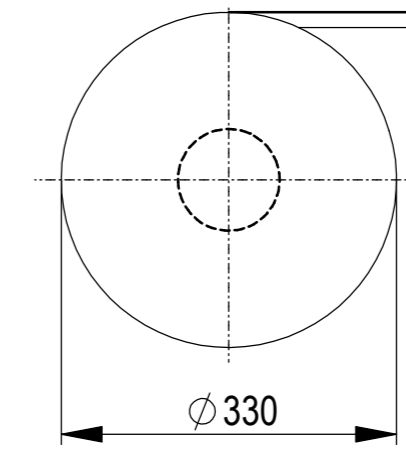
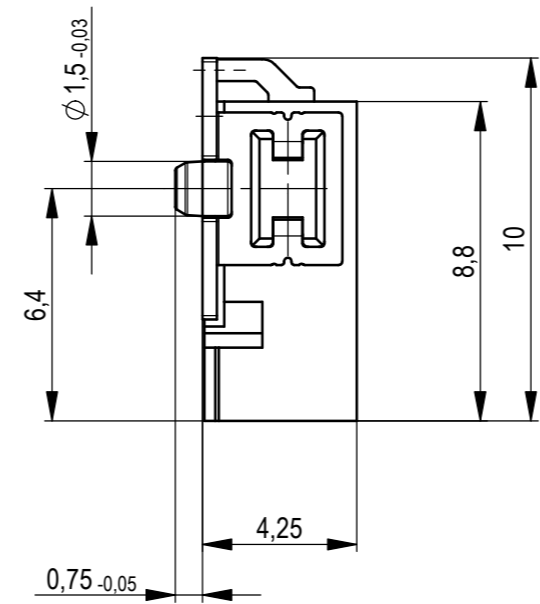
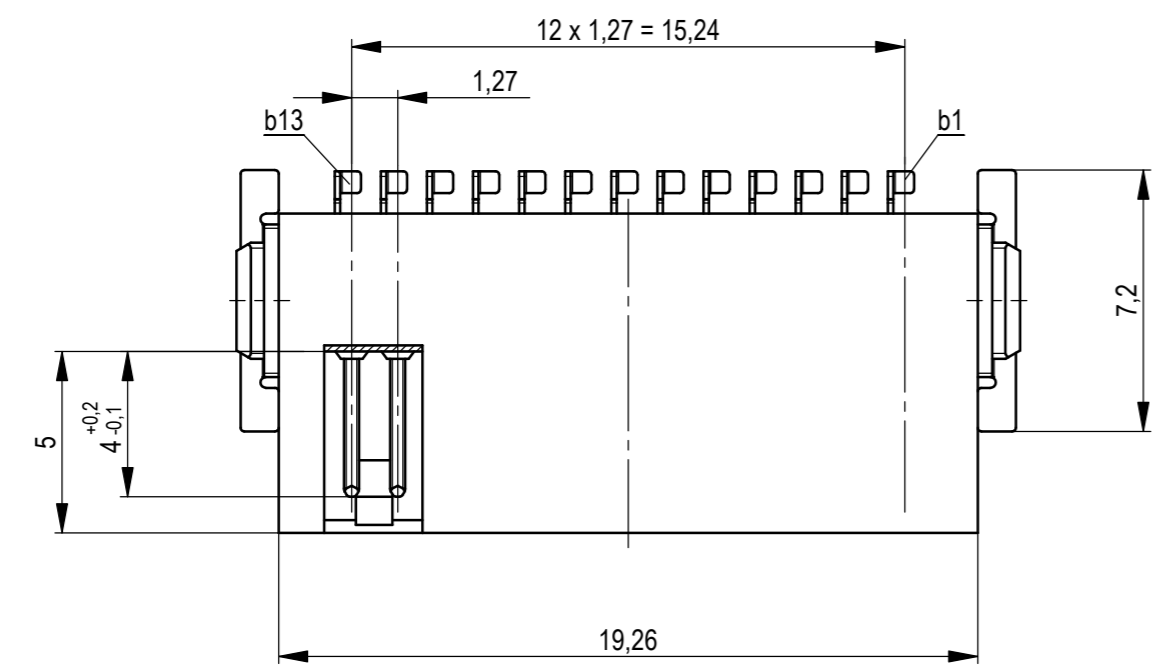
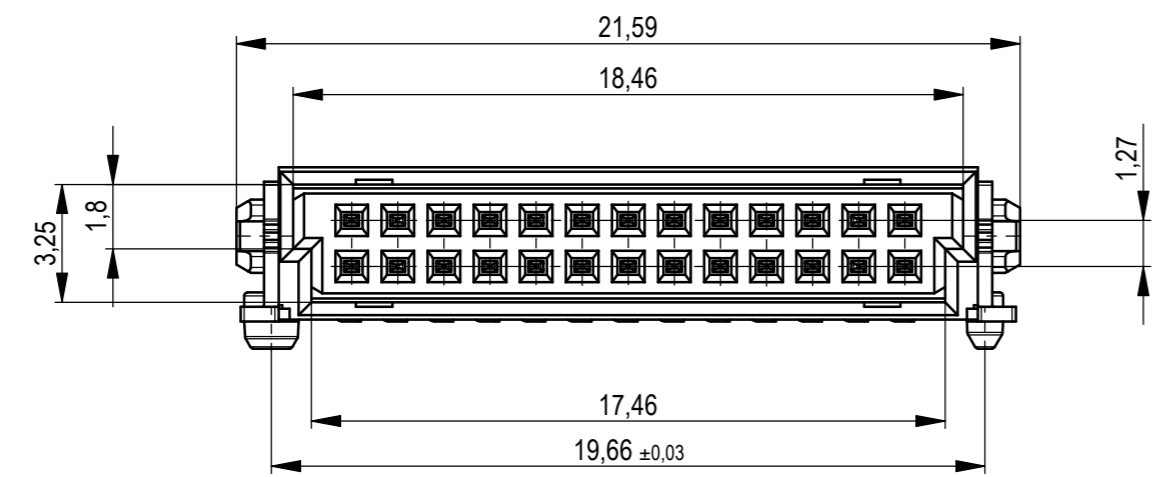
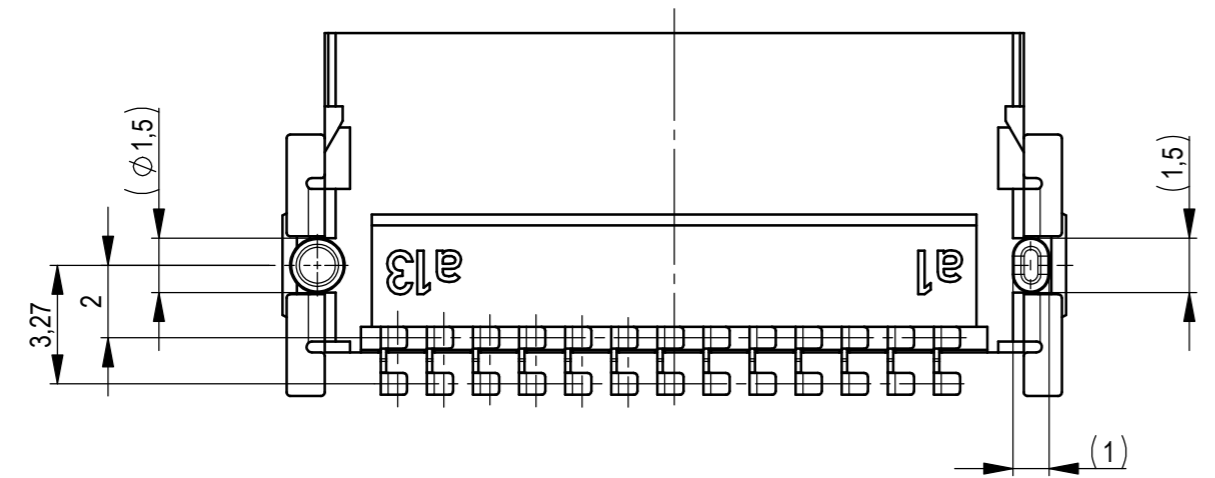
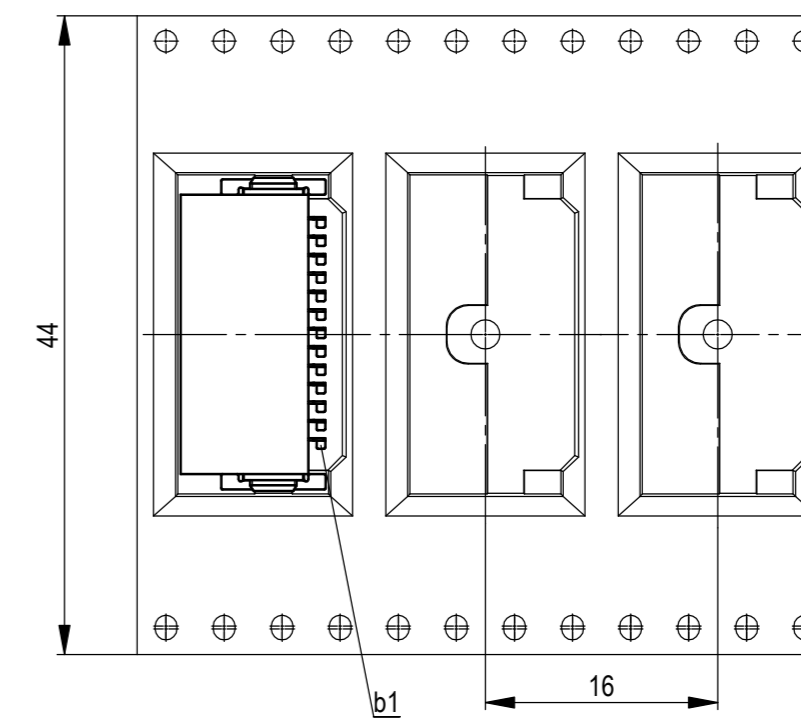


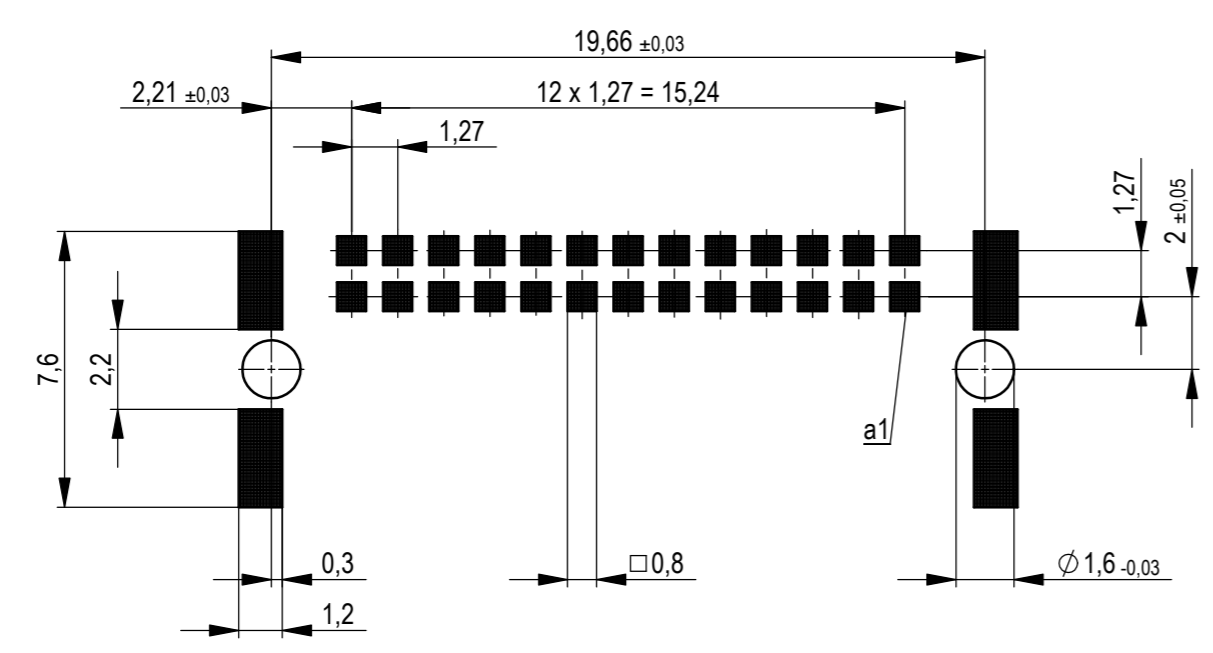
Verpackt im Gurt in Anlehnung an DIN IEC 60286-3
 tape on reel packaging according to DIN IEC 60286-3
 Verpackungseinheit: 560 Stück
 packaging unit: 560 pcs



Abspulrichtung - reel off direction →



Leiterplatten-Layout Vorschlag für SMT
 PCB-Layout Proposal for SMT



Anforderungsstufe 1
 performance level 1
 Kontaktbereich vergoldet
 mating area gold plating
 Anschlussbereich verzinkt 4-6 µm
 terminal area 4-6 µm tin plating
 Koplanarität der Anschlüsse ≤ 0,1 mm
 coplanarity area of termination ≤ 0,1 mm

BA7-03 - Standard Bauhöhe
 type7-03 - Standard Assembly Height

Wichtigste Voraussetzung dieses Dokuments, Verwertung und Mitteilung dieses Inhalts sind
 die Rechte vorbehalten. Nachdruck, Vervielfältigung und Verbreitung, auch auszugsweise,
 ist ohne schriftliche Genehmigung der ERNI International AG.
 All rights reserved. No part of this document may be reproduced, stored in a retrieval system,
 or transmitted in any form or by any means, electronic, mechanical, recording, or otherwise,
 without the prior written permission of ERNI International AG.
 The reproduction, distribution and utilization of this document as well as the communication
 of its contents to any third party is prohibited without the prior written permission of ERNI
 International AG.

Dimension no.	Tolerances	Scale	5:1
	ISO 8015	Material	
Customer drawing:	Subject to modification without prior notice. Drawing will not be updated.	Messerl. SMC-B 26-SMD-BA7-03 Male SMC-B 26-SMD-type7-03	
All rights reserved. Only for information. To ensure that this is the latest version of this drawing, please contact one of the ERNI companies before using.	ERNI	ERNI International AG Zürichstrasse 72 8306 Brüttisellen - Zürich Switzerland	154764
g	28.01.2020		I
Index	Date	Class	A2
		SMCB	