

RoHS

MATERIAL LIST

TEL:0769-82001899

VER

DESCRIBE

NATE

DRAWN

A0

新图框编制

2022/08/29

姜光鸿

NO.	PART	MATERIAL	COATING/COLOR	QTY
1	HOUSING	PA66 UL94V-0	GREEN	1
2	TERMINALS	BRASS	PLATING NI	2

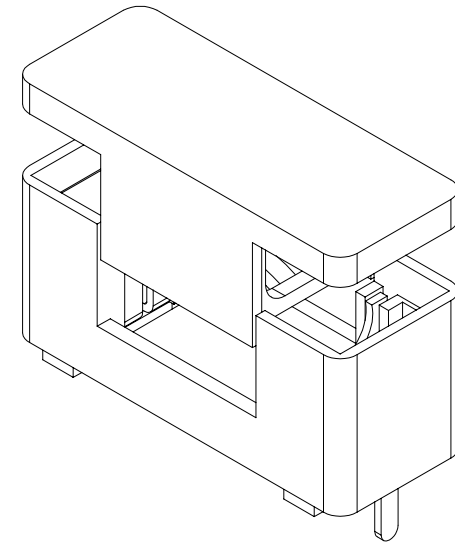
TECHNICAL CHARACTERISTICS

MATERIAL
 INSULATOR: PA6/66
 FLAMMABILITY RATING: UL94V0
 COLOR: GREEN
 CONTACT / PLATING: COPPER ALLOY / Ni+Sn

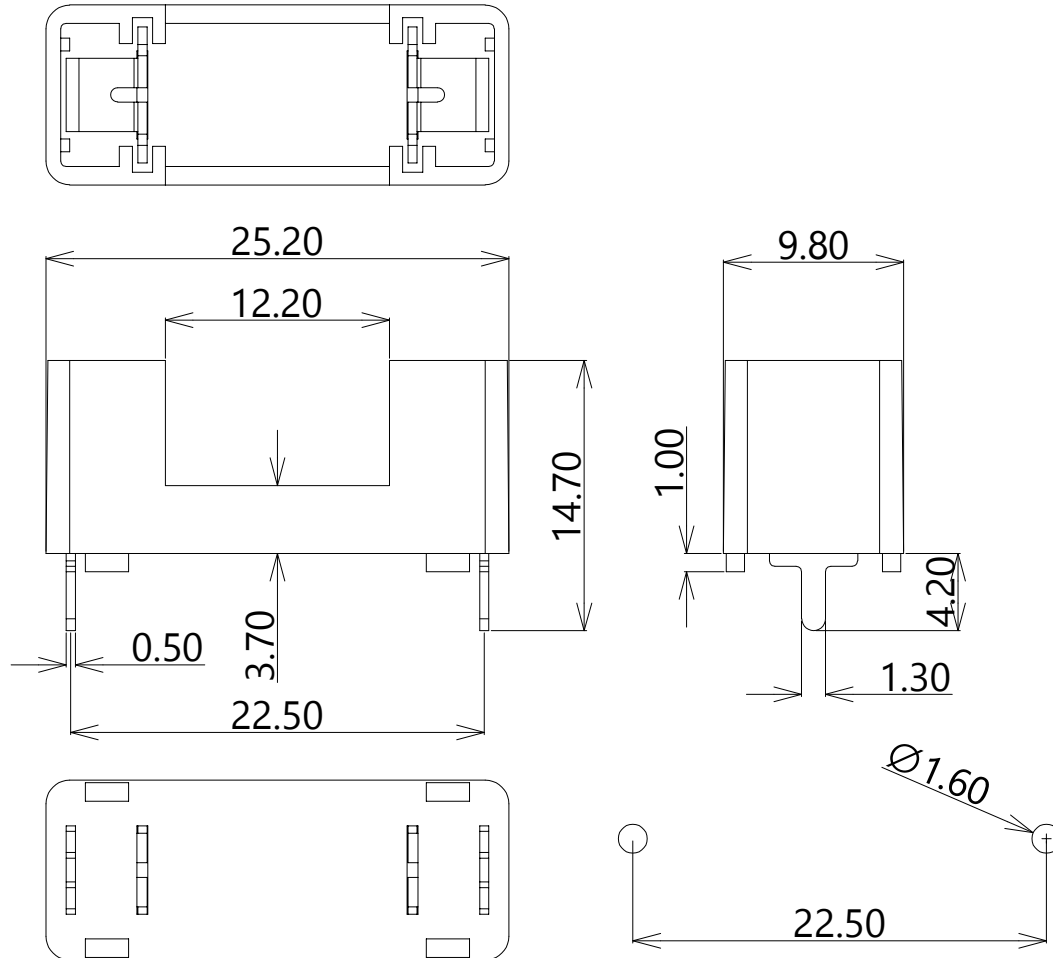
ENVIRONMENTAL
 OPERATING TEMPERATURE: -30°C UP TO +120°C
 COMPLIANCE: LEAD FREE AND ROHS

ELECTRICAL
 CURRENT RATING: 20A
 WORKING VOLTAGE: 250VAC
 WITHSTANDING VOLTAGE: 1,5KV
 RATED POWER ACCEPTANCE: ---
 PROTECTION CLASS: I o II
 CONTACT RESISTANCE: 5/10 mΩ MAX

MECHANICAL
 FUSE-LINK: 5x20 mm
 PROTECTION RATE: IP00
 SHOCKSAFE CATEGORY: PC1



3D REFER TO



适用线路板 (PCB LAYOUT)

TOLERANCE UNLESS OTHERWISE

UNIT

mm

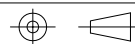
XFCN 兴飞连接器有限公司
 XFCN CONNECTORS CO., LTD.

DRAWN

姜光鸿

X. ±0.30 X° ±5°
 .X ±0.20 .X° ±2°
 .XX ±0.08 .XX° ±1°
 .XXX ±0.03 .XXX° ±0.5°

VIEW



SCALE

1:1

TYPE

5X20mm 保险丝座

CHKD

NUMBER

PART.NO.

PTF-77

DATE

2022/08/29