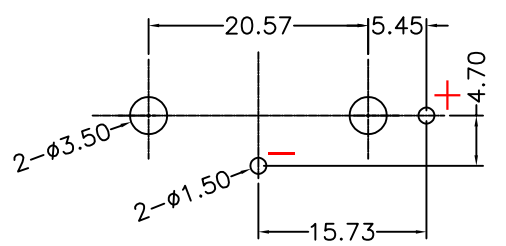
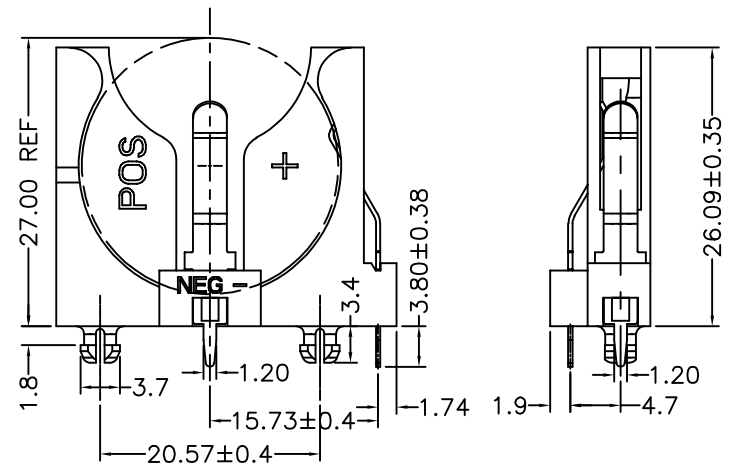
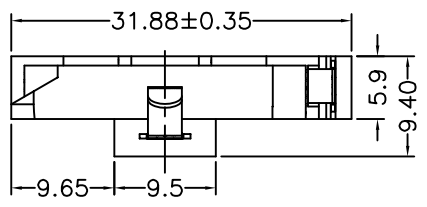
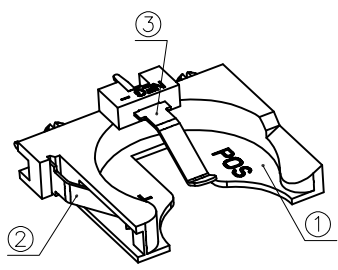




REV.	ECN NO.	REVISED	DATE

NOTE:

- 1.MATERIAL:  
a.HOUSING:PBT UL94V-0 BLACK  
b.CONTACT: STAINLESS STEEL  
(SURFACE PLATING: Sn-PLATING )  
SEE ORDERING INFORMATION
- 2.ELECTRIC:  
a.CONTACT RESISTANCE: 100 MILLIOHMS MAX  
b.INSULATION RESISTANCE: 100 MEGA OHMS MIN  
c.DIELECTNIC VOLTAGE: 500V AC ONE SEC LEVEL  
d.OPERATING TEMPERATURE: -25°C ~ +85°C



PCB Layout Diagram  
Top View

### ORDERING INFORMATION

## BS-24-A1AK026

电池座系列  
BS-24系列  
DIP 90° TYPE

PLATING:  
A-Au1U"  
C-NiSn  
J-Ni100U"~120U"  
K-Sn

MATERIAL:  
1A-PBT BLACK  
1B-PA66 BLACK  
2A-PPA BROWN  
2B-PPA BLACK  
3A-PPS BROWN  
3B-PPS BLACK  
4A-LCP WHITE  
4B-LCP BLACK  
5B-PA10T BLACK

工程部  
2022-10-24  
H. WANG

3	TERMINAL(-)	1	Stainless Steel,T=0.4mm	Sn-Plating
2	TERMINAL(+)	1	Stainless Steel,T=0.4mm	Sn-Plating
1	HOUSING	1	PBT	BLACK
NO.	PART NAME	Q'TY	MATERIAL	PLATING & COLOR

UNLESS OTHERWISE SPECIFIED TOLERANCES		<b>MYOUNG 美用</b> <a href="http://www.meiyangdz.com">www.meiyangdz.com</a>	
DECIMALS: X :±0.30 X.X :±0.25 X.XX :±0.20 X.XXX :±0.10	ANGLES: X :±1° X.X :±0.5°	DSND YangFeng	DATE 2022-10-24
		CHKD ZhouRuicai	DATE 2022-10-24
		APVD XueShunyong	DATE 2022-10-24
WEIGHT:2.71g		SCALE: 2:1	SIZE: A4
SHEET 1 OF 1		VIEW:	
		UNIT: mm	REV.: A/0
		OBJECT: MY	
		TITLE: BS-2450-5-1 Sn DIP PBT黑色	
		PART NO.: BS-24-A1AK026	
		DRAW NO.:WD-CP-0247	