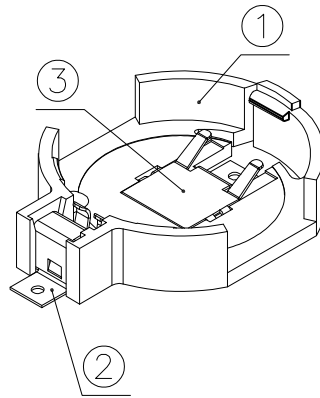
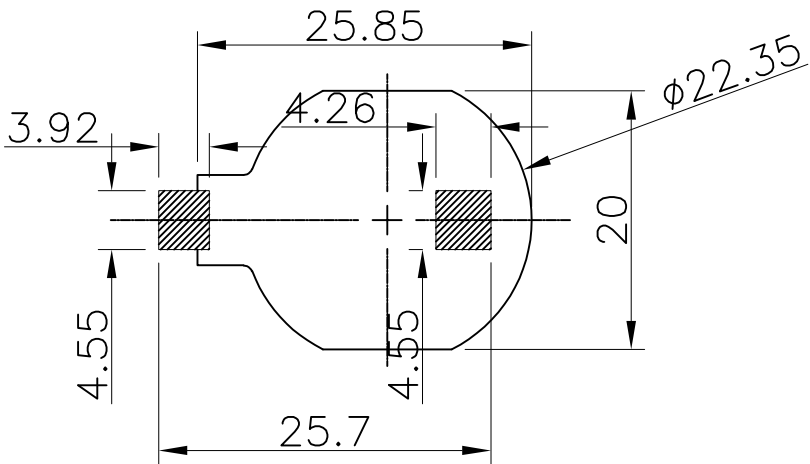
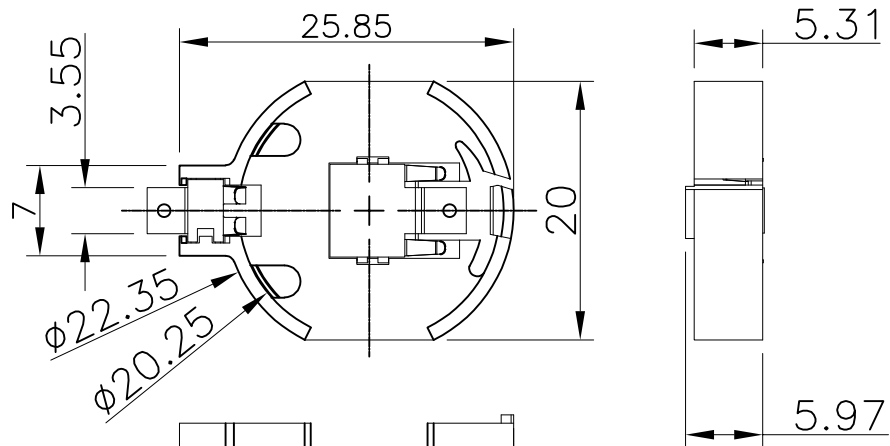




REV.	ECN NO.	REVISED	DATE



NOTE:

1.MATERIAL:

- a.HOUSING:PA9T UL94V-0
- b.CONTACT:PHOSPHOR BRONZE;STAINLESS STEEL (SURFACE PLATING: Au1u")
- SEE ORDERING INFORMATION

2.ELECTRIC:

- a.CONTACT RESISTANCE: 100 MILLIOHMS MAX
- b.INSULATION RESISTANCE: 100 MEGA OHMS MIN
- c.DIELECTNIC VOLTAGE: 500V AC ONE SEC LEVEL
- d.OPERATING TEMPERATURE: -25° C~ +85° C

ORDERING INFORMATION

BS-13-B5BA001

电池座系列

BS-13系列

SMT 180° TYPE

PLATING:

- A-Au1U"
- J-Ni100U"~120U"
- K-Sn100U"~120U"

MATERIAL:

- 1A-PBT BLACK
- 1B-PA66 BLACK
- 2A-PPA BROWN
- 2B-PPA BLACK
- 3A-PPS BROWN
- 3B-PPS BLACK
- 4A-LCP WHITE
- 4B-LCP BLACK
- 5B-PA9T BLACK



PCB Layout Diagram
Top View

UNLESS OTHERWISE SPECIFIED TOLERANCES		MYOUNG 美用 www.meiyangdz.com					
DECIMALS: X :±0.30 X.X :±0.25 X.XX :±0.20 X.XXX :±0.10	ANGLES: X :±1° X.X :±0.5°	DSND	YangFeng	DATE	2022-12-17	TITLE:	BS-2032-13 Au SMT
WEIGHT: 1.21g		CHKD	ZhouRuicai	DATE	2022-12-17	PART NO.:	BS-13-B5BA001
SHEET 1 OF 1		APVD	XueShunyong	DATE	2022-12-17	UNIT: mm	REV.: A/0
		SCALE: 2:1	SIZE: A4	VIEW:	OBJECT: MY	DRAW NO.:WD-CP-0250	

NO.	PART NAME	Q'TY	MATERIAL	PLATING & COLOR
3	TERMINAL(-)	1	STAINLESS STEEL, T=0.20mm	Gold Plating and Ni Under-Plating
2	TERMINAL(+)	1	PHOSPHOR BRONZE, T=0.20mm	Gold Plating and Ni Under-Plating
1	HOUSING	1	PA9T UL94V-0	BLACK