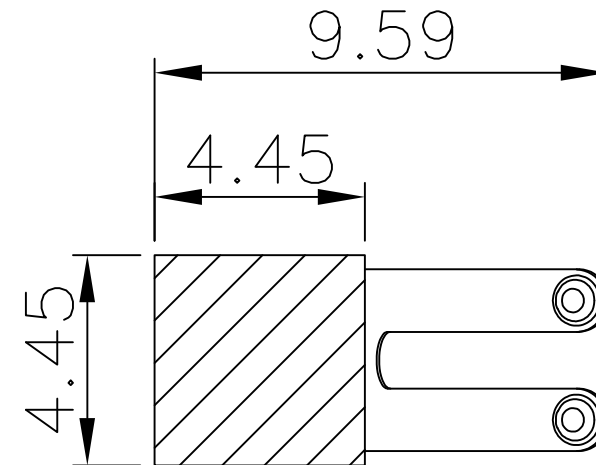
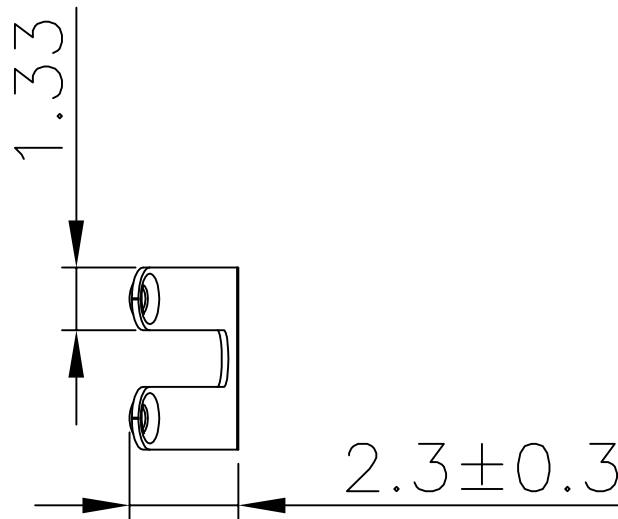
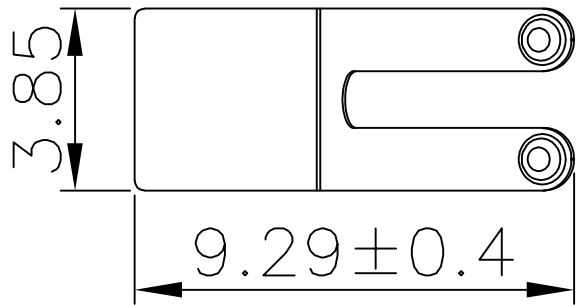
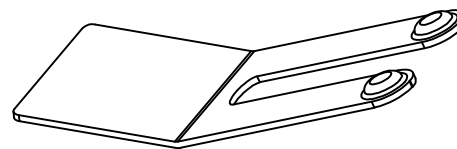
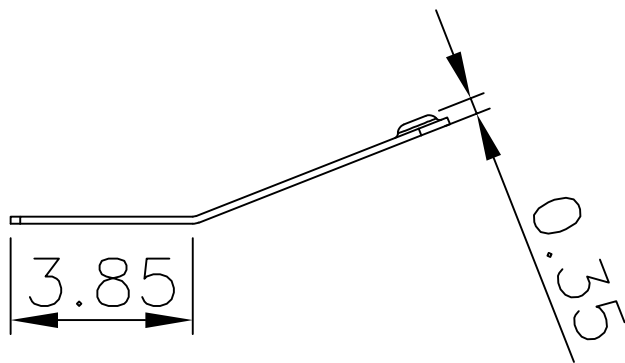




REV.	ECN NO.	REVISED	DATE



PCB Layout Diagram
Top View



工程部
2019-08-06
H. WANG

技术要求:

- 1、截剪断面毛刺高度 ≤ 0.03mm;
- 2、部件要求平整,无变形、裂纹、损伤等外观缺陷;

UNLESS OTHERWISE SPECIFIED TOLERANCES		MYOUNG 美阳 www.meiyangdz.com	
DECIMALS: X : ±0.30 X.X : ±0.25 X.XX : ±0.20 X.XXX : ±0.10	ANGLES: X : ±1° X.X : ±0.5°	DSND YangFeng	DATE 2019-08-06
WEIGHT:		CHKD ZhouRuicai	DATE 2019-08-06
SHEET 1 OF 1		APVD XueShunong	DATE 2019-08-06
TITLE:		SCALE:	SIZE: A4
PART NO.:		VIEW:	UNIT: mm
DRAW NO.:WD-CP-0250		REV.: A/0	OBJECT: MY

1	TERMINAL	1	STAINLESS STEEL, T=0.15mm	Au-Plating
NO.	PART NAME	Q'TY	MATERIAL	PLATING & COLOR