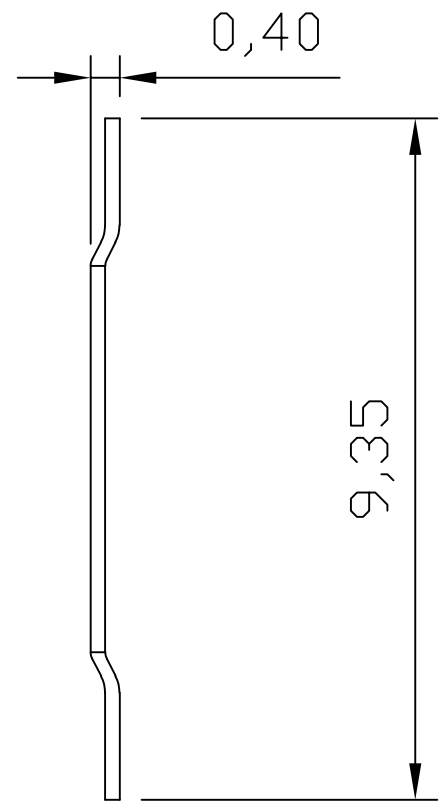
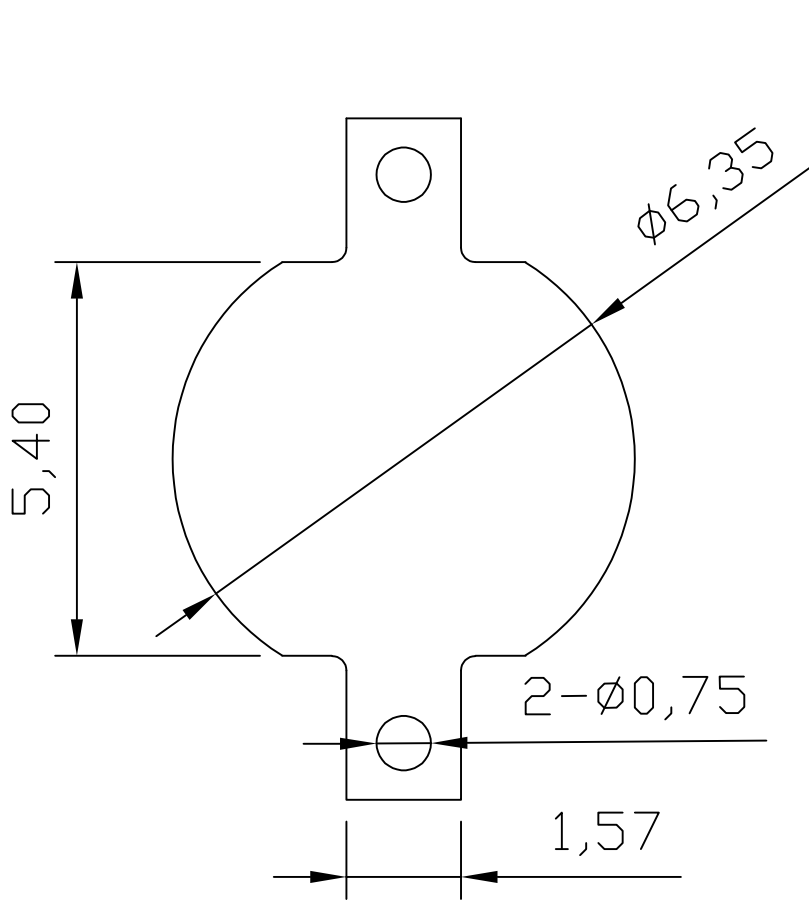




REV.	ECN NO.	REVISED	DATE



UNLESS OTHERWISE SPECIFIED TOLERANCES		<b>MYOUNG 美用</b> <a href="http://www.meiyangdz.com">www.meiyangdz.com</a>			
DECIMALS:	ANGLES:	DSND	YangFeng	DATE	2021-04-05
X : ±0.30	X : ±1°	CHKD	ZhouRuicai	DATE	2021-04-05
X.X : ±0.25	X.X : ±0.5°	APVD	XueShunyong	DATE	2021-04-05
X.XX : ±0.20		WEIGHT:	SCALE:	SIZE:	A4
X.XXX : ±0.10		SHEET 1 OF 1	UNIT:	REV.:	A/0
		VIEW:		OBJECT:	MY
		TITLE:		DRAW NO.:WD-CP-0269	
		PART NO.:		MY-FJ-04-J	
		TITLE:		钮扣电池通用负极片01 镀镍	

1	TERMINAL(-)	1	BRASS, T=0.2MM	Ni-Plating
NO.	PART NAME	Q'TY	MATERIAL	PLATING & COLOR