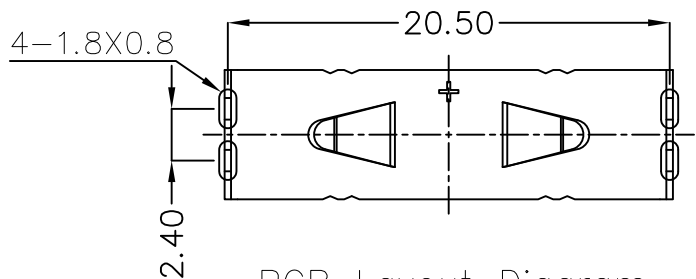
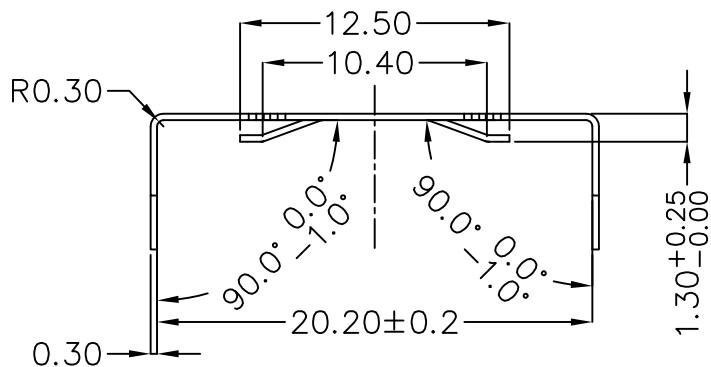
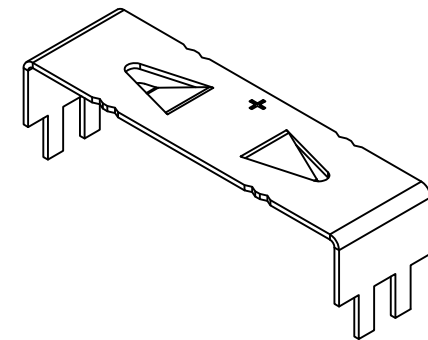
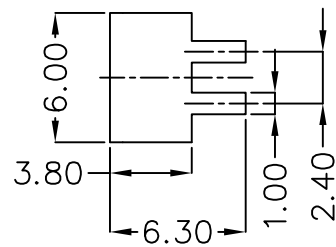
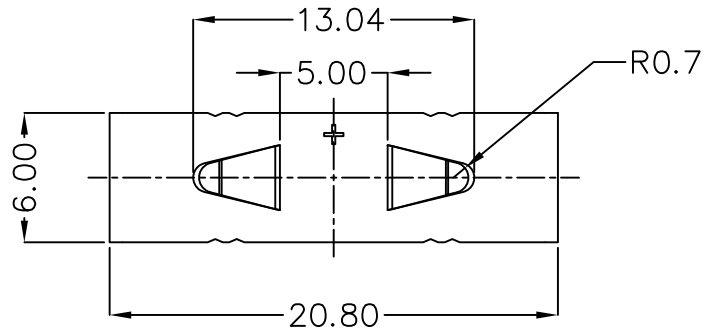




REV.	ECN NO.	REVISED	DATE



PCB Layout Diagram
Top View

工程部
2021-07-21
LQ. HUANG

UNLESS OTHERWISE SPECIFIED TOLERANCES		MYOUNG 美阳 www.meiyangdz.com			
DECIMALS: X :±0.30 X.X :±0.25 X.XX :±0.20 X.XXX :±0.10	ANGLES: X :±1° X.X :±0.5°	DSND	YangFeng	DATE	2021-07-21
WEIGHT:		CHKD	ZhouRuicai	DATE	2021-07-21
SHEET 1 OF 1		APVD	XueShunyong	DATE	2021-07-21
		SCALE:	SIZE: A4	VIEW:	
		UNIT: mm	REV.: A/0	OBJECT: MY	DRAW NO.:MY-CP-0267
		TITLE:		PART NO.:	
		电池扣CR2032-H DIP 镀镍		MY-2032-13N	

1	TERMINAL(+)	1	PHOSPHOR BRONZE, T=0.30mm	Ni-Plating
NO.	PART NAME	Q'TY	MATERIAL	PLATING & COLOR