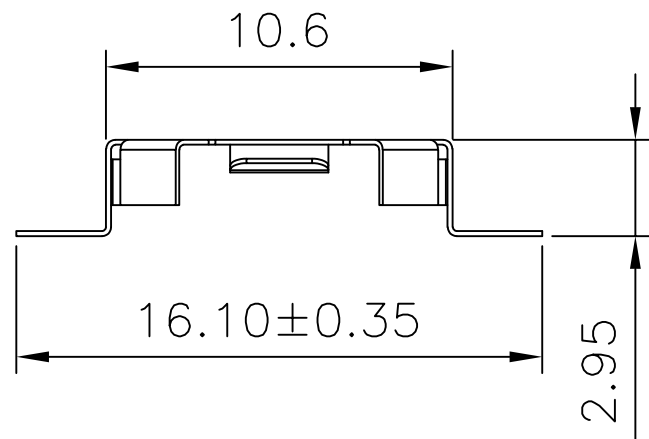
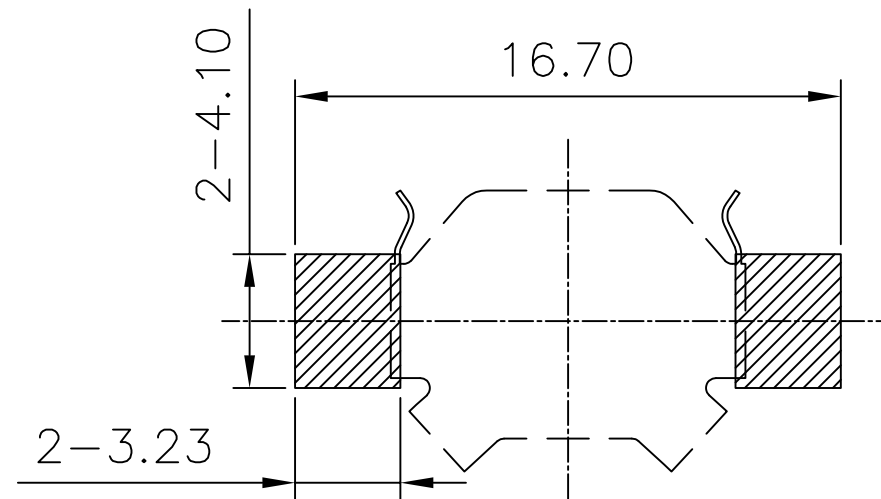
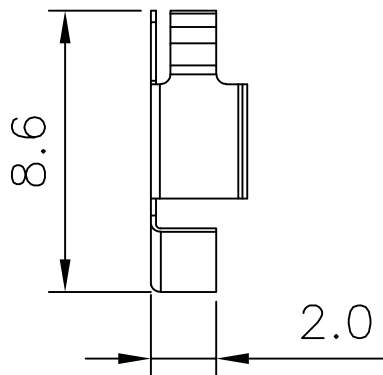
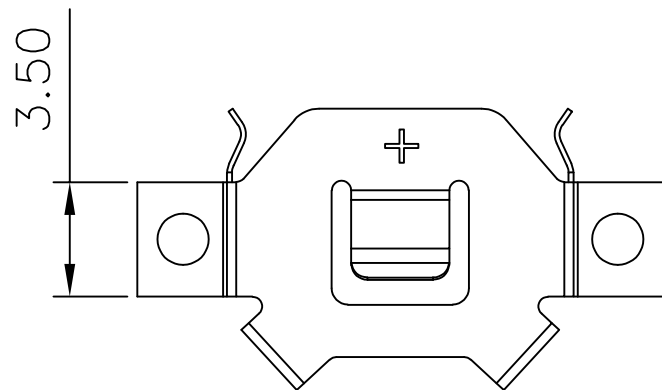
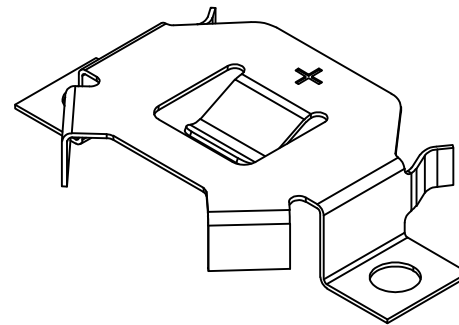




REV.	ECN NO.	REVISED	DATE



工程部
2019-04-10
H. WANG

PCB Layout Diagram
Top View

UNLESS OTHERWISE SPECIFIED TOLERANCES		MYOUNG 美用 www.meiyangdz.com	
DECIMALS: X :±0.30 X.X :±0.25 X.XX :±0.20 X.XXX :±0.10	ANGLES: X :±1° X.X :±0.5°	DSND YangFeng	DATE 2019-04-09
WEIGHT:		CHKD ZhouRuicai	DATE 2019-04-09
SHEET 1 OF 1		APVD XueShunyong	DATE 2019-04-09
SCALE:		SIZE: A4	VIEW:
UNIT: mm		REV.: A/0	OBJECT: MY
TITLE:		电池扣CR1025-1W Ni SMT	
PART NO.:		MY-1025-01	
DRAW NO.:		WD-CP-0254	

1	TERMINAL(+)	1	PHOSPHOR BRONZE, T=0.15MM	NI-PLATING
NO.	PART NAME	Q'TY	MATERIAL	PLATING & COLOR