

NOTES:

1. MATERIAL:

- 1.1 HOUSING: HALOGEN FREE PLASTIC,UL94V-0
- 1.2 LATCH: HALOGEN FREE PLASTIC,UL94V-0
- 1.3 CONTACT: COPPER ALLOY
- 1.4 FITTING NAIL: COPPER ALLOY

2. Finish:

2.1 Terminal:

- 50~100u" Nickel under plating over all
- l:Gold flash on contact and solder area.
- C:80~150u" Matte tin oncontact and sold area

2.2 Fitting Nail:

- 50~100u" Nickel under plating over all
- 80~150u" Matte-Tin over all.

3. Product must comply HF RoHS specification.

4. Product No:

AFC92-S

CKTS ** F * * - **
 CONTACTS TYPE
 F:LOWER
 PLATING
 l:Gold flash
 C:Matte tin
 PACKING
 A:Tape&Reel
 C:Tube
 REMARKS
 MY:Halogen free
 Housing White
 Latch Black
 Without Logo

CKT	DIM A	DIM B	DIM C	DIM D
06	7.10	2.50	3.60	6.00
08	8.10	3.50	4.60	7.00
10	9.10	4.50	5.60	8.00
22	15.10	10.50	11.60	14.00
24	16.10	11.50	12.60	15.00
25	16.60	12.00	13.10	15.50
28	18.10	13.50	14.60	17.00
30	19.10	14.50	15.60	18.00
31	19.60	15.00	16.10	18.50
32	20.10	15.50	16.60	19.00
33	20.60	16.00	17.10	19.50
34	21.10	16.50	17.60	20.00
35	21.60	17.00	18.10	20.50
36	22.10	17.50	18.60	21.00
37	22.60	18.00	19.10	21.50
38	23.10	18.50	19.60	22.00
39	23.60	19.00	20.10	22.50
40	24.10	19.50	20.60	23.00
45	26.60	22.00	23.10	25.50
46	27.10	22.50	23.60	26.00
50	29.10	24.50	25.60	28.00
51	29.60	25.00	26.10	28.50
52	30.10	25.50	26.60	29.00
53	30.60	26.00	27.10	29.50
54	31.10	26.50	27.60	30.00
55	31.60	27.00	28.10	30.50
56	32.10	27.50	28.60	31.00

CUSTOMER DRAWING

深圳市钜硕电子有限公司
SHENZHEN JUSHUO ELECTRONIC CO.,LTD

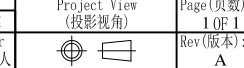
Tolerance Unspecified (未注公差):
 0.0 ±0.25 0° ±5°
 0.00 ±0.15 0° ±3°
 0.000 ±0.10 0° ±1°

Size(图幅):
 Unit(单位):
 Scale(比例):
 1:1
 Project View (投影视角):
 1 OF 1

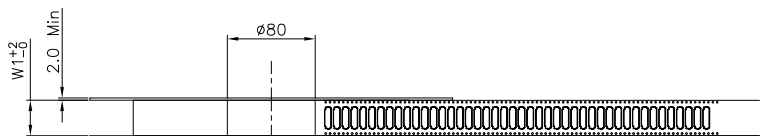
Product Name(产品名称):
 0.5Pitch H=1.50 FPC/FFC Easy-on R/A Type7 SMT Conn

Product No(产品料号):
 AFC92-S**F**--**

Rev	Change Description	Date	Revisor
A	Original Issue	2021/07/29	张孝雄
版本	变更内容	日期	制/修订人

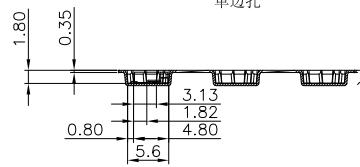
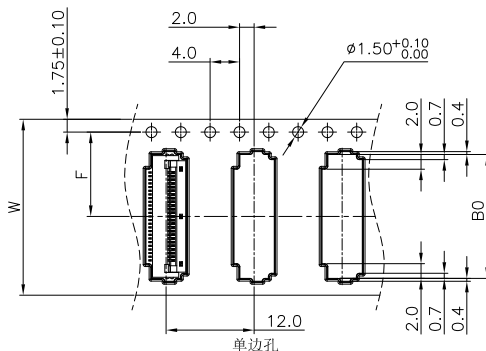
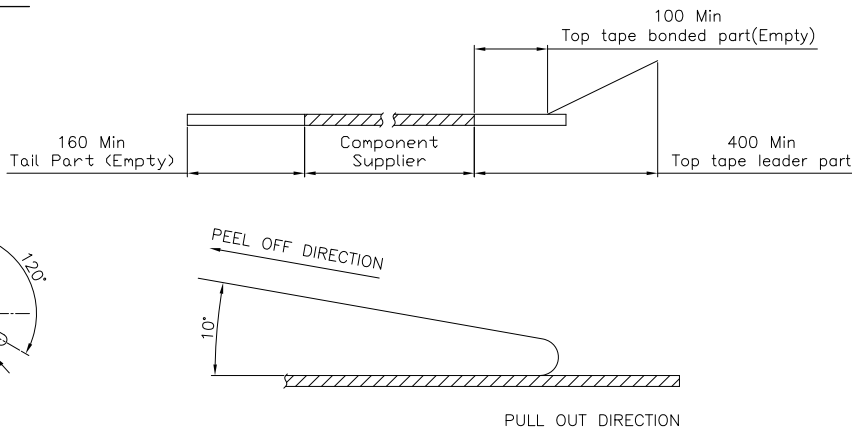
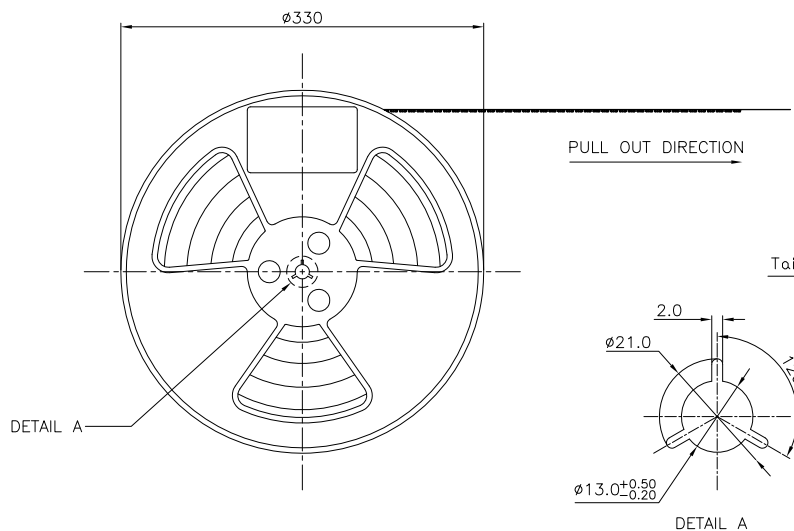


Page	Designer(设计)	Checked(审核)	Approved(核准)
1 OF 1	张孝雄		



NOTES:

1. 10 SPROCKET HOLE PITCH CUMULATIVE TOLERANCE. ±0.20mm
2. CARRIER CAMBER NOT TO EXCEED 1mm IN 250mm.
3. ALL DIMENSIONS MEET EIA-481-C REQUIREMENTS.
4. MATERIAL: BLACK ANTI-STATIC POLYSTYRENE.
5. THICKNESS: 0.35 ± 0.05 mm.
6. PACKING LENGTH PER 13" REEL: 24.60 METERS.
7. COMPONENT LOAD PER 13" REEL: 2000PCS
8. PEELING OFF FORCE OF TOP TAPE 0.1N~0.7N(10.2gf~71.4gf).



SECTION A-A
SCALE 1:1

CKTS	BO ± 0.10	W	W1	F	S0 ± 0.10
4	6.40	24 ± 0.30	24.4	11.5 ± 0.10	单边孔
5	6.90				
6	7.40				
7	7.90				
8	8.40				

CLASSIFICATION DIMENSION (尺寸类别):
 FAT (首次检验): ☉ To ☉
 ■ MARK IS MAJOR DIM (重点尺寸标示)
 ● MARK IS CRITICAL DIM (Cpk&Cp 标示)

Tolerance Unspecified (未注公差):
 0.0 ± 0.10 0°. ± 3°
 0.00 ± 0.05 0°. ± 2°
 0.000 ± 0.02 0°. 00 ± 1°

Project View (投影视角):

深圳市钜硕电子有限公司
SHENZHEN JUSHU ELECTRONIC CO., LTD

Product Name (产品名称):
 0.5Pitch H=1.5 FPC/FPC 掀盖卧式8代SMT型. 载带

Product No (产品料号):
 AFC92-S**#***

Drawing No (图面编号):
 DNE000**#*

Date (日期):
 2021/07/29

Designer (设计):
 吴小光

Checked (审核):

Approved (核准):

Rev 版本	Change Description 变更内容	Date 日期	Revisor 制/修订人
1.0	初版发行	2021/07/29	吴小光



Page (页数):
 1 OF 1

Rev (版本):
 1.0