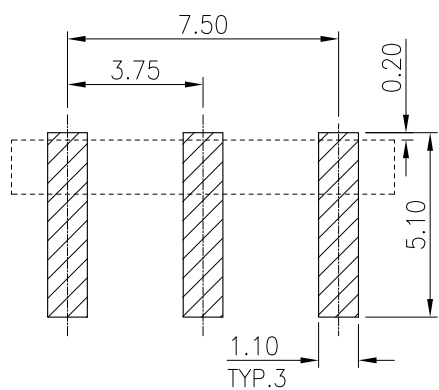
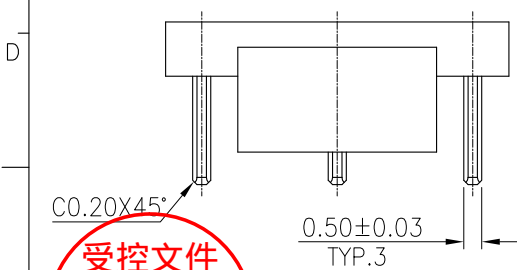
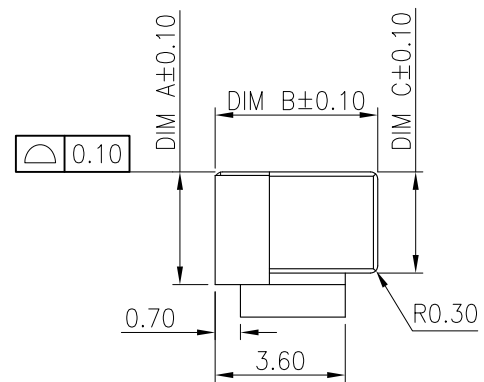
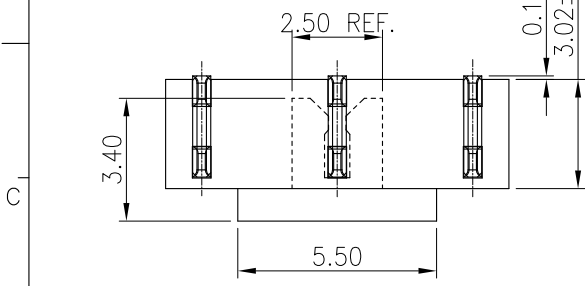
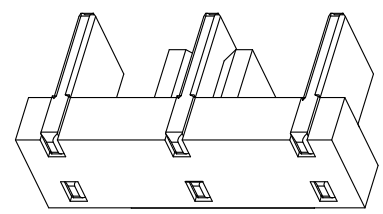
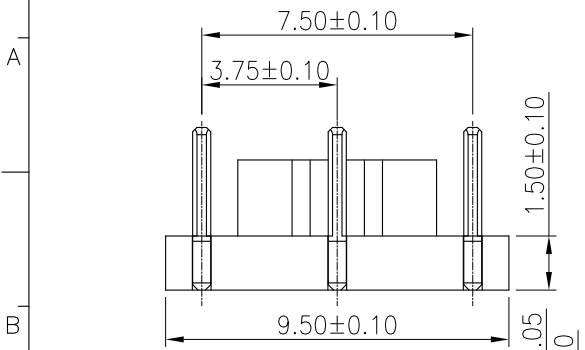


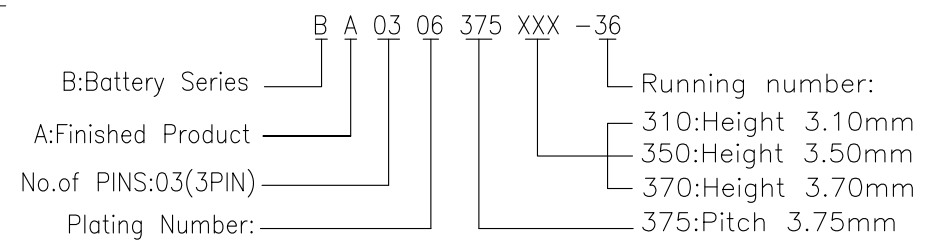
REV.	LOCAS.	DESCRIPTION	DRAW.	DATE.
01	NEW	INITIAL RELEASE.	Junly	2010.08.16
02	02	ECN20110026	Huang	2011.02.26
03	03	ECN20110037	Huang	2011.04.26



NOTES:

- MATERIAL:
  - Housing:High Temperature Thermoplastic UL94V-0; Color Black.
  - Terminal:Copper Alloy.
- SPECIALITY:
  - Rated current:0.5A
  - Rated voltage:30V
  - Contact Resistance:50mΩ MAX
  - Insulation Resistance:100MΩ MIN 100V DC
  - Dielectric withstanding voltage: 100V AC.
  - Solder ability:235±5°C, 5±0.5s.
  - Durability:5000 Cycles Min.
  - Operating condition:Temperature: -30°C ~ +80°C; Humidity: 80% R.H MAX

Ordering Information



PART No.	DIM A	DIM B	DIM C
BA0306375310-36	3.10	4.50	2.72
BA0306375350-36	3.50	4.70	3.20
BA0306375370-36	3.70	4.70	3.34

受控文件  
2011.04.26  
达擎科技



So 市场部

RECOMMENDED PCB LAYOUT  
TOLERANCE:±0.05

MEASURE POINT: QUADRANT POINT (QP) TANGENCY POINT (TP) INTERSECTION POINT (IP)	<b>SHEN ZHEN D-CHAIN TECHNOLOGY CO.,LTD</b>						
UNLESS OTHERWISE SPECIFIED,TOLERANCE:	DESING	Huang	DATE	2011.04.26	TITLE:	BATTERY 3PIN PH:3.75mm SMT TYPE	
X. ±0.25	CHECKED	Andy.L	DATE	2011.04.26	REV:	03	SCALE: 5:1
X.x ±0.20	APPROVED	Andy.L	DATE	2011.04.26	UNIT:	mm	
X.xx ±0.15	PART NO.:	BA0306375XXX-36		REV:	03	SCALE:	5:1
ANGULAR ±3°	DRAWING NO.:	DQBA0306375310-36		SIZE:	A4	SHEET:	1/1