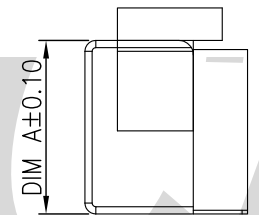
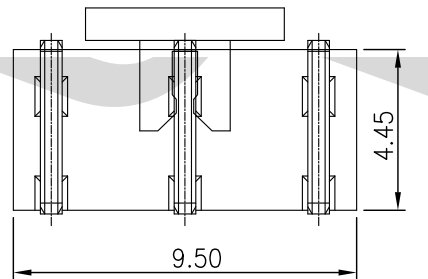
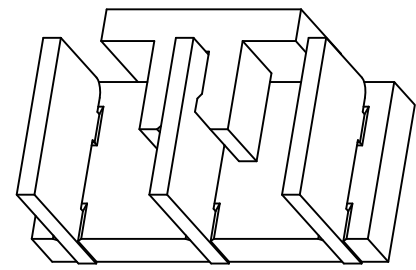
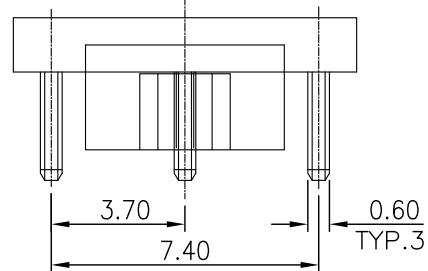


REV.	LOCAS.	DESCRIPTION	DRAW.	DATE.
01	NEW	INITIAL RELEASE.	Junly	2010.12.10

- NOTES:
- MATERIAL:
 - Housing:High Temperature Thermoplastic UL94V-0; Color Black.
 - Terminal:Copper Alloy.
 - SPECIALITY:
 - Rated current:0.5A
 - Rated voltage:30V
 - Contact Resistance:50mΩ MAX
 - Insulation Resistance:100MΩ MIN 100V DC
 - Dielectric withstanding voltage: 100V AC.
 - Solder ability:235±5°C, 5±0.5s.
 - Durability:5000 Cycles Min.
 - Operating condition:Temperature: -30°C ~ +80°C; Humidity: 80% R.H MAX

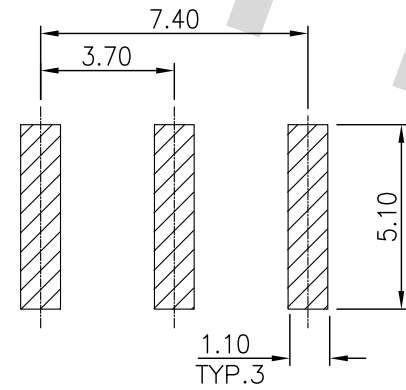
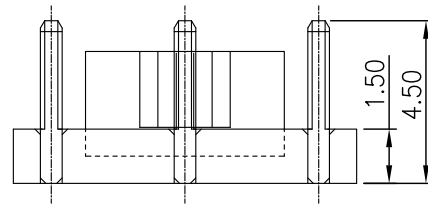


Ordering Information

B A 03 06 370 XXX -59

B:Battery Series
 A:Finished Product
 No.of PINS:03(3PIN)
 Plating Number:

Running number:
 420:Height 4.20mm
 450:Height 4.50mm
 480:Height 4.80mm
 370:Pitch 3.70mm



No.	PART No.	DIM A
1	BA0306370420-59	4.20
2	BA0306370450-59	4.50
3	BA0306370480-59	4.80

MEASURE POINT: QUADRANT POINT (QP) TANGENCY POINT (TP) INTERSECTION POINT (IP)	SHEN ZHEN D-CHAIN TECHNOLOGY CO.,LTD					
UNLESS OTHERWISE SPECIFIED,TOLERANCE:	DESING	Junly	DATE	2010.12.10	TITLE:	
X. ±0.25	CHECKED	Eric	DATE	2010.12.10	BATTERY 3PIN PH:3.70mm	
X.x ±0.20	APPROVED	Eric	DATE	2010.12.10	SMT TYPE	
X.xx ±0.15	PART NO.: BA0306370XXX-59			REV: 01	SCALE: 5:1	UNIT: mm
ANGULAR ±3°	DRAWING NO: DQBA0306370420-59			SIZE: A4	SHEET: 1/1	

RECOMMENDED PCB LAYOUT
 TOLERANCE:±0.05

受控文件
 2010.12.13
 达擎科技

S0 市场部

ROHS
 compliant
 2002/95/EC